

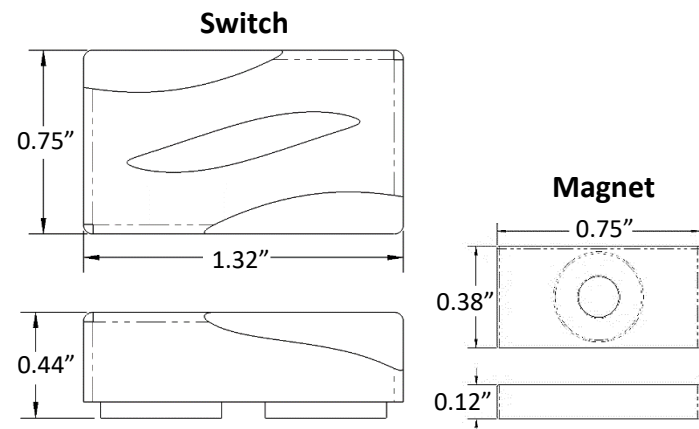
inspired LED **NEW Magnetic Proximity Switch**

Inspired LED's **NEW Magnetic Proximity Switch** is a convenient accessory specially designed to pair with Inspired LED flex strips and panels to create the perfect low-voltage lighting system for any home or business. Ideal for cabinets, closets, and drawers, this unique device allows LEDs to be turned on and off in response to the opening or closing of a door!

Specifications:

	Switch	Magnet
Dimensions	1.3" x 0.75" x 0.44"	0.75" x 0.38" x 0.12"
Net Weight	6 grams	4 grams
Input	3.5 x 1.3mm	0.14" screw hole
Max Load	5 AMPs	N/A
Quiescent (Idle) Current	0.25 mA @ 12V 0.50 mA @ 24V	N/A

Dimensions:



*Dimensions shown in inches

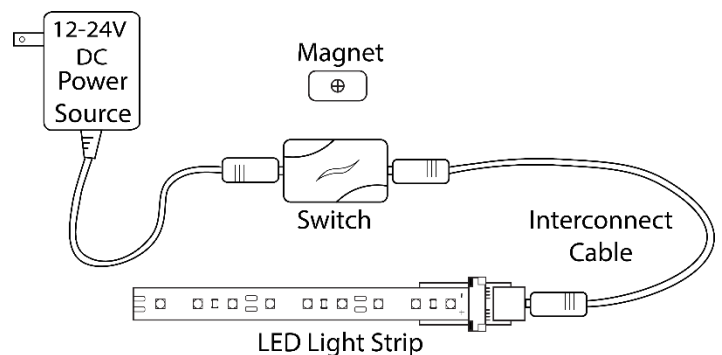


SKU#: 3766 (Single)
3767 (4-Pack)

Product Features:

- Includes switch, magnet, screw, and 4" cable
 - Low profile design fits easily in small spaces
 - Easy install- screw mount and adhesive backing
 - Instant response to proximity of 1" or less
 - Allows lights to switch *on* when magnet is separated, *off* when put together*
 - Compatible with Inspired LED "plug-in" products
 - To be used with 12-24V DC plug-in or 12-24V DC hardwire dimmable transformers
- *Available by custom order in "normally closed" position to allow reversal of light functionality**

Wiring Diagram:



Instructions:

1. Use scotch or painter's tape to temporarily mount LED lights in place according to their instructions, leaving room for magnetic switch between power source and first set of lights.
2. Begin by identifying the active side of black magnetic switch (indicated by white printed arrow on the back of switch board).
3. Connect 3.5 x 1.3mm output from 12-24V DC power source to one of the input jacks on black magnetic switch.
4. Use painter's tape to temporarily mount switch in desired *non-mobile* location (on door frame, in cabinet, or drawer), position to ensure the magnet will come into contact with the active side of switch (indicated by arrow on back side).
5. Use standard cable (included) to connect from second input jack on magnetic switch to first string of LED lights.
6. Use painter's tape to temporarily mount magnet in desired *mobile* location (on door, cabinet or drawer face).
Note: magnet must come within 1" of the active side of switch in order to control lights.
7. Ensure that power source is active, and test connections by opening and closing door or drawer several times.
8. Once satisfied with system functionality, remove adhesive backing from switch and use screw to mount magnet in place.



Mouser Electronics

Authorized Distributor

Click to View Pricing, Inventory, Delivery & Lifecycle Information:

[Inspired LED:](#)

[4893](#)