

Angle Sensor

Dual GMR/AMR Angle Sensor

TLE5309D

Data Sheet

V 1.0, 2016-01

Sense & Control

Edition 2016-01

**Published by
Infineon Technologies AG
81726 Munich, Germany**

**© 2016 Infineon Technologies AG
All Rights Reserved.**

Legal Disclaimer

The information given in this document shall in no event be regarded as a guarantee of conditions or characteristics. With respect to any examples or hints given herein, any typical values stated herein and/or any information regarding the application of the device, Infineon Technologies hereby disclaims any and all warranties and liabilities of any kind, including without limitation, warranties of non-infringement of intellectual property rights of any third party.

Information

For further information on technology, delivery terms and conditions and prices, please contact the nearest Infineon Technologies Office (www.infineon.com).

Warnings

Due to technical requirements, components may contain dangerous substances. For information on the types in question, please contact the nearest Infineon Technologies Office.

Infineon Technologies components may be used in life-support devices or systems only with the express written approval of Infineon Technologies, if a failure of such components can reasonably be expected to cause the failure of that life-support device or system or to affect the safety or effectiveness of that device or system. Life support devices or systems are intended to be implanted in the human body or to support and/or maintain and sustain and/or protect human life. If they fail, it is reasonable to assume that the health of the user or other persons may be endangered.

Revision History	
Changes	Subjects
2013-06-25	document created, v0.1
2013-12-11	v0.2: entered derivates E5201, E1211; changed output characteristics, updated angle error specification and voltage specification for derivates, updated temperature specification (125°C)
2014-02-20	v0.3: entered derivate E2211; merged chapter 3.3 and 3.4 to one set of tables for AMR and GMR chapter 3.3.1: changed max rotation speed to 10000 RPM. chapter 3.5: entered fully compensated limits from PRD
2014-08-18	v0.4: changed Pin description
2015-01-20	v0.5: adapted single pin limits for amplitude and mean voltage, removed specification for single pin synchronism and orthogonality. Adapted limits for differential amplitude, vector length, temperature reference voltage and POR level.
2015-04-10	v0.6: Table 1: footnotes for clarification of TCO and grade 1 added. -1 and -2 number of dies derivates simplified to unique package PG-TDSO-16 nomenclature. Table 4, 5, 6, 7, 8, 10 and 11: text before table clarified to include LIFETIME. Table 5: footnote for Power-on time added Table 6: footnote for V_{max} and V_{min} added Figure 9: added appliaction circuit for low-power mode for Tau parameter within wake time. chapter 1.2: 2nd point list "Fully redundant" changed for "Diverse redundance" chapter 3.1: added application circuit for low-power turn counter chapter 3.2: ambient temperature 125°C chapter 3.3: thermal resistance assumption added. Angle delay time footnote added. chapter 4: removed -2 from the PG-TDSO-16-2 (now: PG-TDSO-16)

Revision History	
Changes	Subjects
2015-12-01	<p>v0.7 (Preliminary Data Sheet):</p> <p>Chapter 1.1: text changed from “fully redundant angle sensor” to “diverse redundant”.</p> <p>Chapter 2.1: text changed from “comprises on TLE5009 and one TLE5109” to “comprises a GMR-based angle sensor and an AMR-based angle sensor”.</p> <p>Chapter 3.3: text with thermal resistance assumption removed as now is described in Table 4.</p> <p>Chapter 3.4: list of errors detected by diagnosis completed</p> <p>Chapter 3.5: text changed to clarify that orthogonality compensation is only required for GMR.</p> <p>Chapter 4.5: marking lines corrected and Figure added</p> <p>Table 3: max. ambient temp. for the absolute maximum ratings increased from 125°C to 140°C.</p> <p>Table 4: ambient temperature added.</p> <p>Table 4: max. rotation speed increased to 30,000rpm in line with single die. New line added: No signal saturation observed in lab at 150,000rpm.</p> <p>Table 6, 7, 8, 9: text “over temperature and lifetime” added in the table title.</p> <p>Table 6: min. amplitude changed to 0.7 (for 3.3V supply) and to 1.2V (for 5.0V supply).</p> <p>Table 7: min. amplitude changed to 1.5V (for 3.3V supply) and to 2.5V (for 5.0V supply).</p> <p>Table 7: note added for othogonality error “GMR (AMR irrelevant)”.</p> <p>Table 7: split X, Y offset rows for GMR and AMR. AMR offset increased to 200mV.</p> <p>Table 8 and 9: exchanged</p> <p>Table 10: +/-4kV ESD protection V_{HBM} with ground pins connected added.</p> <p>Table 11: wording “Soldering Moisture Level” changed to “Moisture Sensitivity Level”.</p> <p>Figure 1: application example added.</p> <p>Figure 10: figure title modified. Preceding text includes turn-counter clarification.</p> <p>Figure 10: optional ASIC for the turn-counter added. Figure title modified.</p> <p>Figure 11: application circuit for partial diagnostics with pull-down resistors added.</p> <p>References: TLE5009 Calibration Application Note and Safety Manual added.</p>
2016-01-12	<p>v1.0 (Data Sheet)</p> <p>Table 7: min. amplitude changed to 1.4V (for 3.3V supply) and to 2.4V (for 5.0V supply).</p> <p>Table 7: max. amplitude changed to 2.6V (for 3.3V supply) and to 3.9V (for 5.0V supply).</p> <p>Table 7: AMR X, Y synchronism error modified from +/-3% to +/-4%.</p> <p>Table 8: overall angle error AMR sensor improved from max. 0.7° to max. 0.5°.</p> <p>Table 8: overall angle error GMR sensor improved from max. 1.0° to max. 0.9°.</p>

Trademarks of Infineon Technologies AG

AURIX™, C166™, CanPAK™, CIPOS™, CIPURSE™, EconoPACK™, CoolMOS™, CoolSET™, CORECONTROL™, CROSSAVE™, DAVE™, EasyPIM™, EconoBRIDGE™, EconoDUAL™, EconoPIM™, EiceDRIVER™, eupec™, FCOS™, HITFET™, HybridPACK™, I²RF™, ISOFACE™, IsoPACK™, MIPAQ™, ModSTACK™, my-d™, NovalithIC™, OptiMOS™, ORIGA™, PRIMARION™, PrimePACK™, PrimeSTACK™, PRO-SIL™, PROFET™, RASIC™, ReverSave™, SatRIC™, SIEGET™, SINDRION™, SIPMOS™, SmartLEWIS™, SOLID FLASH™, TEMPFET™, thinQ!™, TRENCHSTOP™, TriCore™.

Other Trademarks

Advance Design System™ (ADS) of Agilent Technologies, AMBA™, ARM™, MULTI-ICE™, KEIL™, PRIMECELL™, REALVIEW™, THUMB™, µVision™ of ARM Limited, UK. AUTOSAR™ is licensed by AUTOSAR development partnership. Bluetooth™ of Bluetooth SIG Inc. CAT-iq™ of DECT Forum. COLOSSUS™, FirstGPS™ of Trimble Navigation Ltd. EMV™ of EMVCo, LLC (Visa Holdings Inc.). EPCOS™ of Epcos AG. FLEXGO™ of Microsoft Corporation. FlexRay™ is licensed by FlexRay Consortium. HYPERTERMINAL™ of Hilgraeve Incorporated. IEC™ of Commission Electrotechnique Internationale. IrDA™ of Infrared Data

Association Corporation. ISO™ of INTERNATIONAL ORGANIZATION FOR STANDARDIZATION. MATLAB™ of MathWorks, Inc. MAXIM™ of Maxim Integrated Products, Inc. MICROTEC™, NUCLEUS™ of Mentor Graphics Corporation. Mifare™ of NXP. MIPI™ of MIPI Alliance, Inc. MIPS™ of MIPS Technologies, Inc., USA. muRata™ of MURATA MANUFACTURING CO., MICROWAVE OFFICE™ (MWO) of Applied Wave Research Inc., OmniVision™ of OmniVision Technologies, Inc. Openwave™ Openwave Systems Inc. RED HAT™ Red Hat, Inc. RFMD™ RF Micro Devices, Inc. SIRIUS™ of Sirius Satellite Radio Inc. SOLARIS™ of Sun Microsystems, Inc. SPANSION™ of Spansion LLC Ltd. Symbian™ of Symbian Software Limited. TAIYO YUDEN™ of Taiyo Yuden Co. TEAKLITE™ of CEVA, Inc. TEKTRONIX™ of Tektronix Inc. TOKO™ of TOKO KABUSHIKI KAISHA TA. UNIX™ of X/Open Company Limited. VERILOG™, PALLADIUM™ of Cadence Design Systems, Inc. VLYNQ™ of Texas Instruments Incorporated. VXWORKS™, WIND RIVER™ of WIND RIVER SYSTEMS, INC. ZETEX™ of Diodes Zetex Limited.

Last Trademarks Update 2011-02-24

Table of Contents

	Table of Contents	6
	List of Figures	7
	List of Tables	8
1	Product Description	9
1.1	Overview	9
1.2	Features	9
1.3	Target Applications	10
2	Functional Description	11
2.1	General	11
2.2	Pin Configuration	14
2.3	Pin Description	14
2.4	Block Diagram	15
2.5	Dual Die Angle Output	16
3	Specification	17
3.1	Application Circuit	17
3.2	Absolute Maximum Ratings	19
3.3	Sensor Specification	20
3.3.1	Operating Range	20
3.3.2	Electrical Parameters	20
3.3.3	Output Parameters	21
3.4	Error diagnosis	26
3.5	Angle Performance	26
3.6	Electrostatic discharge protection	27
3.7	Electro Magnetic Compatibility (EMC)	27
4	Package Information	28
4.1	Package Parameters	28
4.2	Package Outline	28
4.3	Footprint	29
4.4	Packing	30
4.5	Marking	30
	References	31

List of Figures

Figure 1	A usual application for TLE5309D is the electrically commutated motor	10
Figure 2	Sensitive bridges of the GMR sensor (top die)	11
Figure 3	Ideal output of the GMR sensor bridges	12
Figure 4	Sensitive bridges of the AMR sensor (bottom die)	13
Figure 5	Ideal output of the AMR sensor bridges	13
Figure 6	Pin configuration (top view)	14
Figure 7	TLE5309D block diagram	15
Figure 8	Dual die angle output	16
Figure 9	Application circuit for the TLE5309D	17
Figure 10	Application circuit for the TLE5309D in low-power applications (e.g. turn counter)	18
Figure 11	Application circuit for the TLE5309D for partial diagnostics with pull-down resistors	18
Figure 12	GMR sensor single-ended output signals	23
Figure 13	AMR sensor single-ended output signals	23
Figure 14	GMR differential output of ideal cosine	24
Figure 15	AMR differential output of ideal cosine	25
Figure 16	Package dimensions	28
Figure 17	Position of sensing element	29
Figure 18	Footprint	29
Figure 19	Tape and reel	30
Figure 20	Marking	30

List of Tables

Table 1	Derivate Ordering codes	9
Table 2	Pin description	14
Table 3	Absolute maximum ratings	19
Table 4	Operating range	20
Table 5	Electrical parameters	21
Table 6	Single pin output parameters over temperature and lifetime	22
Table 7	Differential output parameters over temperature and lifetime	24
Table 8	Residual angle error in differential applications over temperature and lifetime	26
Table 9	Angle error in differential applications over temperature and lifetime	27
Table 10	ESD protection	27
Table 11	Package parameters	28
Table 12	Sensor IC placement tolerances in package	29

1 Product Description



1.1 Overview



The TLE5309D is a diverse redundant angle sensor with analog outputs. It combines a **Giant Magneto Resistance (GMR)** sensor for full 360° angle range with an **Anistropic Magneto Resistance (AMR)** sensor for high precision in a flipped configuration in one package. Sine and cosine angle components of a rotating magnetic field are measured by **Magneto Resistive (MR)** elements. The sensors provide analog sine and cosine output voltages that describe the magnetic angle in a range of 0 to 180° (AMR sensor), and 0 to 360° (GMR sensor), respectively.

The differential MR bridge signals are independent of the magnetic field strength, and the analog output is designed for differential or single ended applications.

The output voltages are designed to use the dynamic range of an A/D-converter using the same supply as the sensor as voltage reference. Both sensor ICs are supplied independently by separate supply and ground pins.

1.2 Features

- Separate supply pins for AMR and GMR sensor
- Diverse redundance design with one GMR sensor (top die) and one AMR sensor (bottom die) in one package
- Low current consumption and very fast start up
- 360° contactless angle measurement
- Immune to airgap variations due to MR based sensing principle
- Operating temperature: -40°C to 125°C (ambient temperature)
- AEC-Q100 automotive qualified. Green package with lead-free (Pb-free) plating, halogene free

Table 1 Derivate Ordering codes

Product Type	Marking	Ordering Code	Package	Description
TLE5309D E5201	309D5201	SP001227884	PG-TDSO-16 (16 pins)	Dual Die AMR 5.0V supply, GMR 3.3V Without TCO ¹⁾ Grade 1 ²⁾
TLE5309D E2211	309D2211	SP001227888	PG-TDSO-16 (16 pins)	Dual Die AMR and GMR 5.0 V supply With TCO ¹⁾ Grade 1 ²⁾
TLE5309D E1211	309D1211	SP001227880	PG-TDSO-16 (16 pins)	Dual Die AMR and GMR 3.3 V supply With TCO ¹⁾ Grade 1 ²⁾

1) Temperature Compensation Offset

2) Part Operating Temperature Grades according to AEC-Q100

1.3 Target Applications

The TLE5309D angle sensor is designed for angular position sensing in safety critical automotive applications. Its high accuracy and 360° measurement range combined with short propagation delay makes it suitable for systems with high speeds and high accuracy demands such as brush-less DC (BLDC) motors for actuators and electric power steering systems (EPS). At the same time its fast start-up time and low overall power consumption enables the device to be employed for low-power turn counting. Extremely low power consumption can be achieved with power cycling, where the advantage of fast power on time reduces the average power consumption.

- BLDC motors for electric power steering (EPS)
- Low-power turn counter

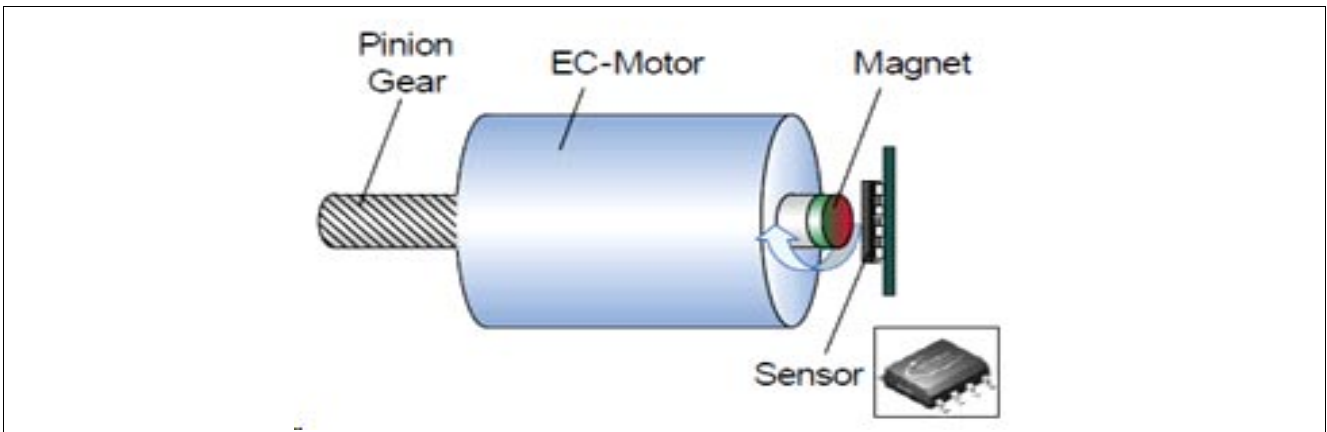


Figure 1 A usual application for TLE5309D is the electrically commutated motor

2 Functional Description

2.1 General

The TLE5309D comprises one GMR-based angle sensor IC mounted on the top and one AMR-based angle sensor IC mounted on the bottom of a package leadframe in a flipped configuration, so the positions of the sensitive elements in the package-plane coincide. This mounting technique ensures a minimum deviation of the magnetic field orientation sensed by the two chips.

The **Magneto Resistive (MR)** sensors are implemented using vertical integration. This means that the MR sensitive areas are integrated above the analog portion of the ICs. These MR elements change their resistance depending on the direction of the magnetic field.

On each sensor, four individual MR elements are connected in a Wheatstone bridge arrangement. Each MR element senses one of two components of the applied magnetic field:

- X component, V_x (cosine) or the
- Y component, V_y (sine)

The advantage of a full-bridge structure is that the amplitude of the MR signal is doubled and temperature effects cancel out.

GMR Sensor

The output signal of a GMR bridge is unambiguous in a range of 180° . Therefore two bridges are oriented orthogonally to each other to measure 360° .

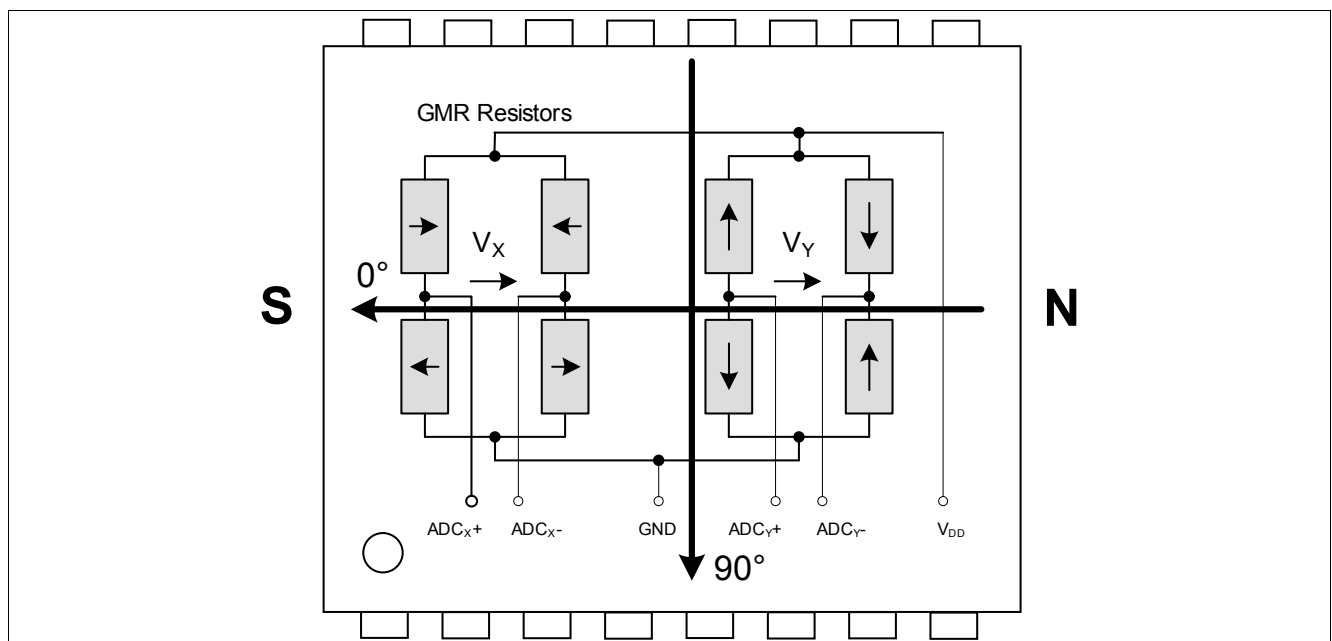


Figure 2 Sensitive bridges of the GMR sensor (top die)

Note: In Figure 2, the arrows in the resistors symbolize the direction of the reference layer. Size of the sensitive areas is greatly exaggerated for better visualisation.

With the trigonometric function ARCTAN2, the true 360° angle value that is represented by the relation of X and Y signals can be calculated according to [Equation \(2\)](#).

$$\alpha = \arctan2(V_x, V_y) \tag{1}$$

The ARCTAN2 function is a microcontroller library function which resolves an angle within 360° using the x and y coordinates on a unit circle.

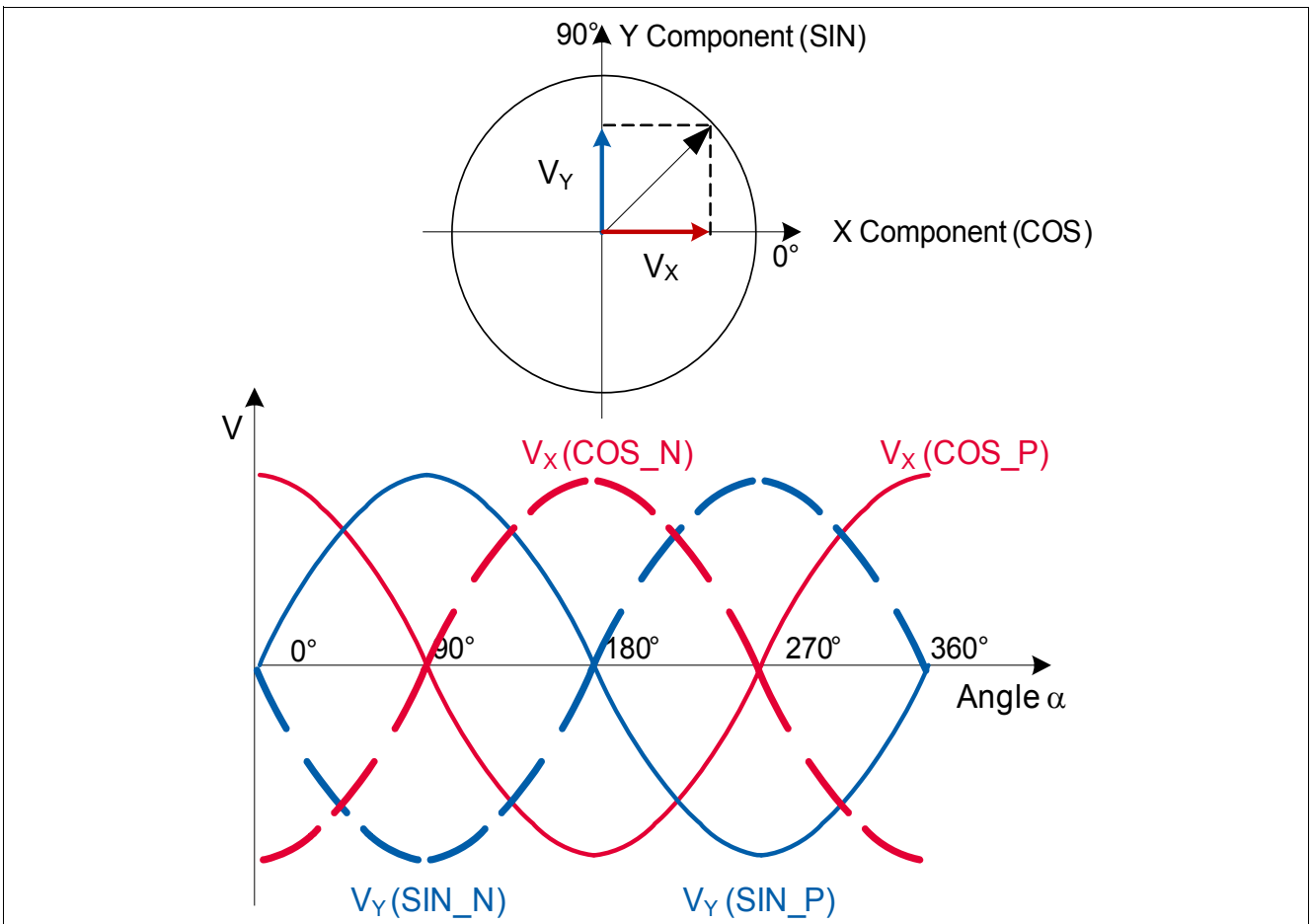


Figure 3 Ideal output of the GMR sensor bridges

AMR Sensor

The output signal of an AMR bridge is unambiguous in a range of 90°. Therefore two bridges are oriented at an angle of 45° to each other to measure 180°.

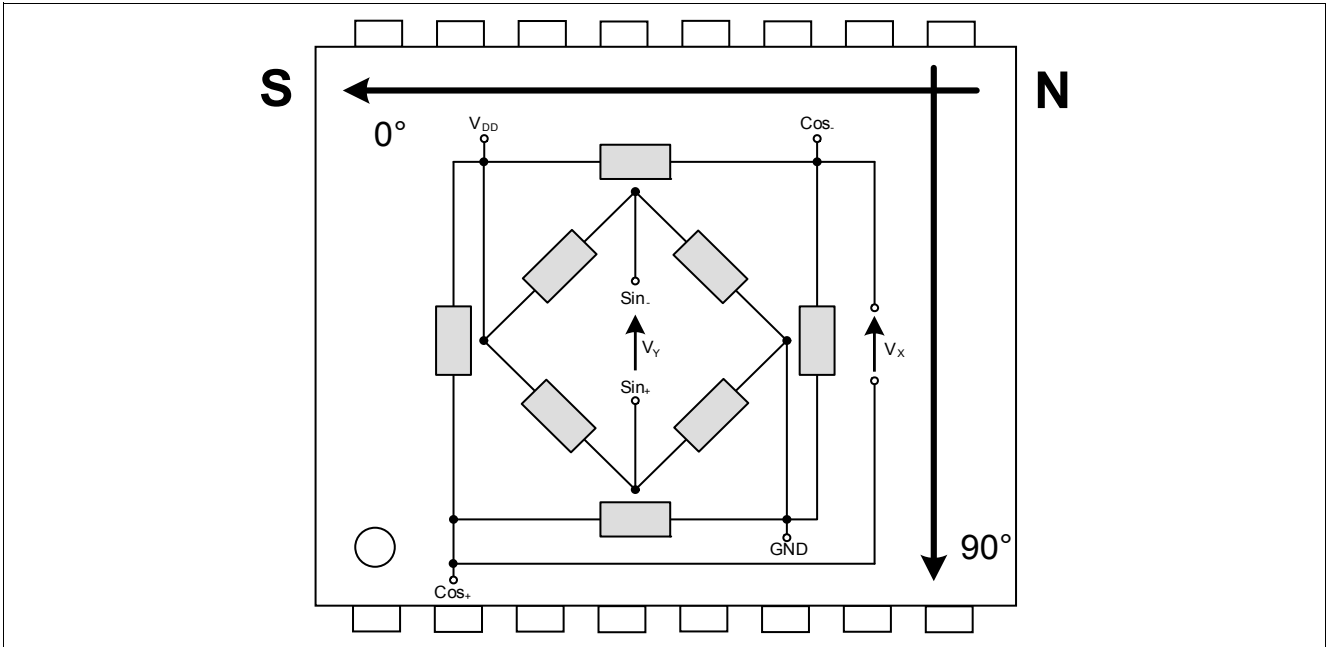


Figure 4 Sensitive bridges of the AMR sensor (bottom die)

Note: In Figure 4, the size of the sensitive areas is greatly exaggerated for better visualisation.

With the trigonometric function ARCTAN2, the true 180° angle value that is represented by the relation of X and Y signals can be calculated according to Equation (2). The AMR sensing element internally measures the double angle, so the result has to be divided by 2. At external magnetic angles α between 180° and 360°, the angle measured by the sensor is $\alpha - 180^\circ$.

$$\alpha = \arctan2(V_x, V_y) / 2 \tag{2}$$

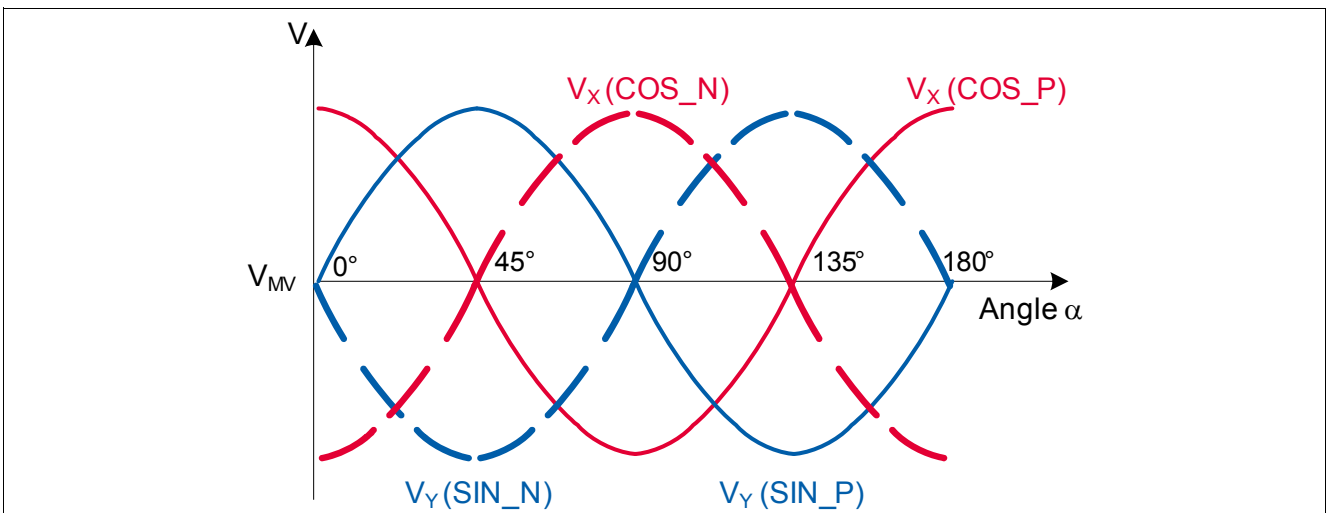


Figure 5 Ideal output of the AMR sensor bridges

2.2 Pin Configuration

The sensitive area is located at the center of the chip.

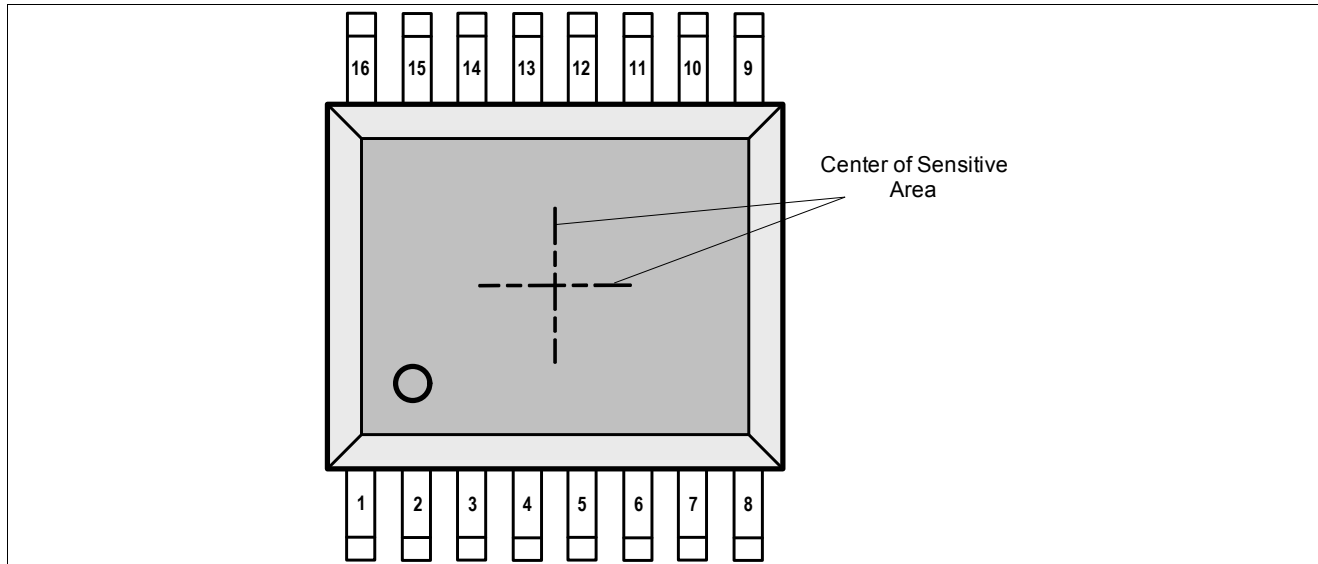


Figure 6 Pin configuration (top view)

2.3 Pin Description

Table 2 Pin description

Pin No.	Symbol	In/Out	Function
1	GMR_V _{DIAG}	O	GMR Sensor bridge voltage proportional to temperature. Diagnostic function
2	GMR_V _{DD}		GMR Sensor Supply voltage
3	GMR_SIN_N	O	GMR Sensor Analog negative sine output
4	GMR_SIN_P	O	GMR Sensor Analog positive sine output
5	AMR_SIN_P	O	AMR Sensor Analog positive sine output
6	AMR_SIN_N	O	AMR Sensor Analog negative sine output
7	AMR_V _{DD}		AMR Sensor Supply voltage
8	AMR_V _{DIAG}	O	AMR Sensor bridge voltage proportional to temperature. Diagnostic function
9	AMR_GND		AMR Sensor Ground
10	AMR_GND		AMR Sensor Ground
11	AMR_COS_N	O	AMR Sensor Analog negative cosine output
12	AMR_COS_P	O	AMR Sensor Analog positive cosine output
13	GMR_COS_P	O	GMR Sensor Analog positive cosine output
14	GMR_COS_N	O	GMR Sensor Analog negative cosine output
15	GMR_GND		GMR Sensor Ground
16	GMR_GND		GMR Sensor Ground

2.4 Block Diagram

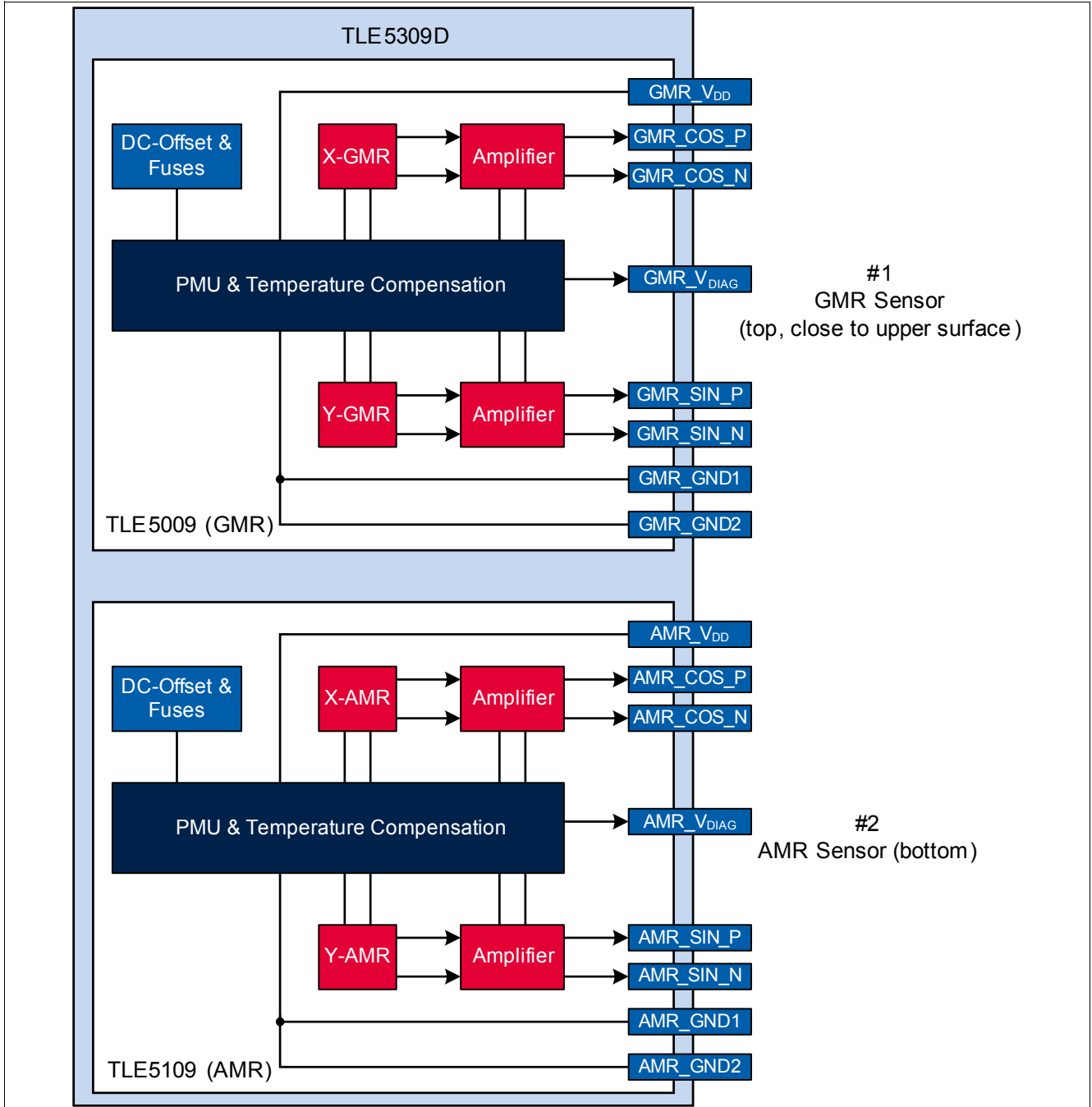


Figure 7 TLE5309D block diagram

2.5 Dual Die Angle Output

The bottom sensor element of the TLE5309D is an AMR sensor, the signal of which is only unambiguous over 180°. Therefore, in the angle range of 180° to 360° of the GMR sensor, the AMR sensor output signal will be in a range of 0° to 180° again. This behavior is illustrated in **Figure 8**, which shows the angle calculated according to **Equation (1)** and **Equation (2)** from the output of the GMR and AMR sensors, respectively, for a given external magnetic field orientation.

If in an application a different output of the two sensors is desired, the connections to the SIN_N and SIN_P or COS_N and COS_P pins on the printed circuit board can be interchanged. The consequence of this change of connections is that either the differential sine or the cosine signal are inverted, which corresponds to a change of rotation direction (see dashed line in **Figure 8**).

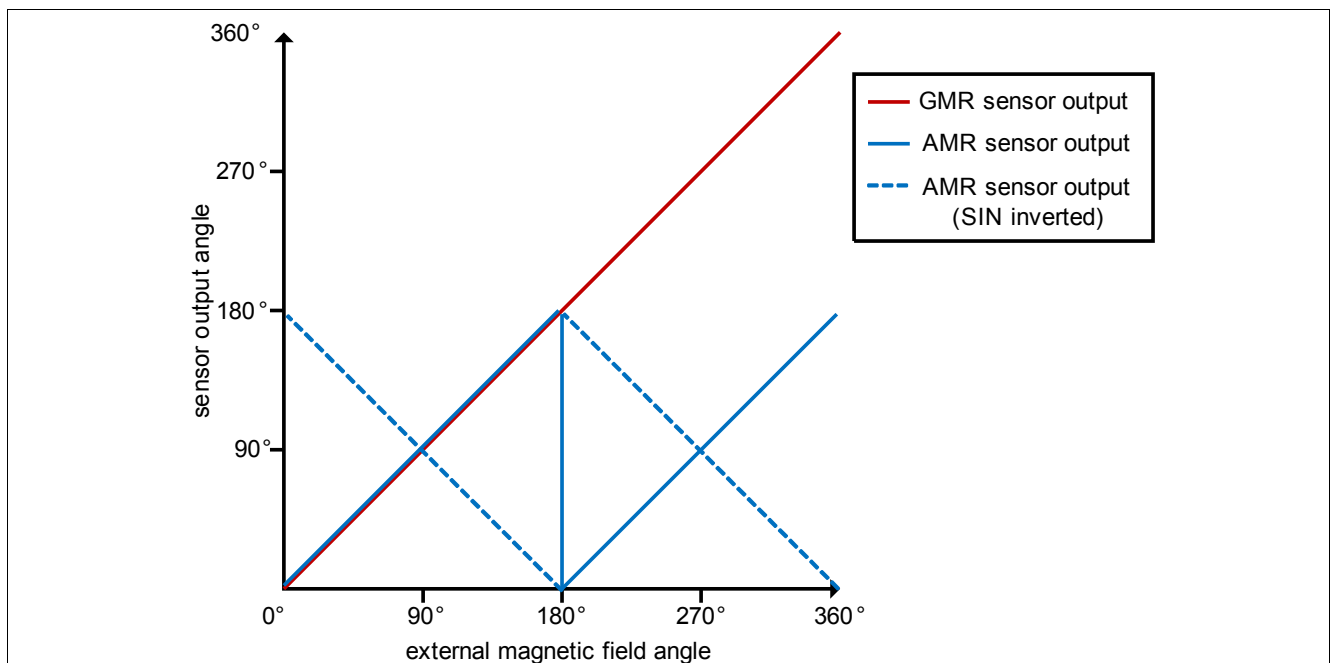


Figure 8 Dual die angle output

Attention: The positioning accuracy of each sensor IC in the package is $\pm 3^\circ$. Thus, the relative rotation of the two sensor ICs can be up to 6° , resulting in a constant offset of the angle output of up to 6° , which has to be measured in an end-of-line calibration and taken into account during operation of the TLE5309D.

3 Specification

3.1 Application Circuit

Figure 9 shows a typical application circuit for the TLE5309D. The TLE5309D has separate supply pins for the GMR sensor and the AMR sensor. The microcontroller comprises 10 A/D inputs used to receive the sensor output signals. For reasons of EMC and output filtering, the following RC low pass arrangement is recommended.

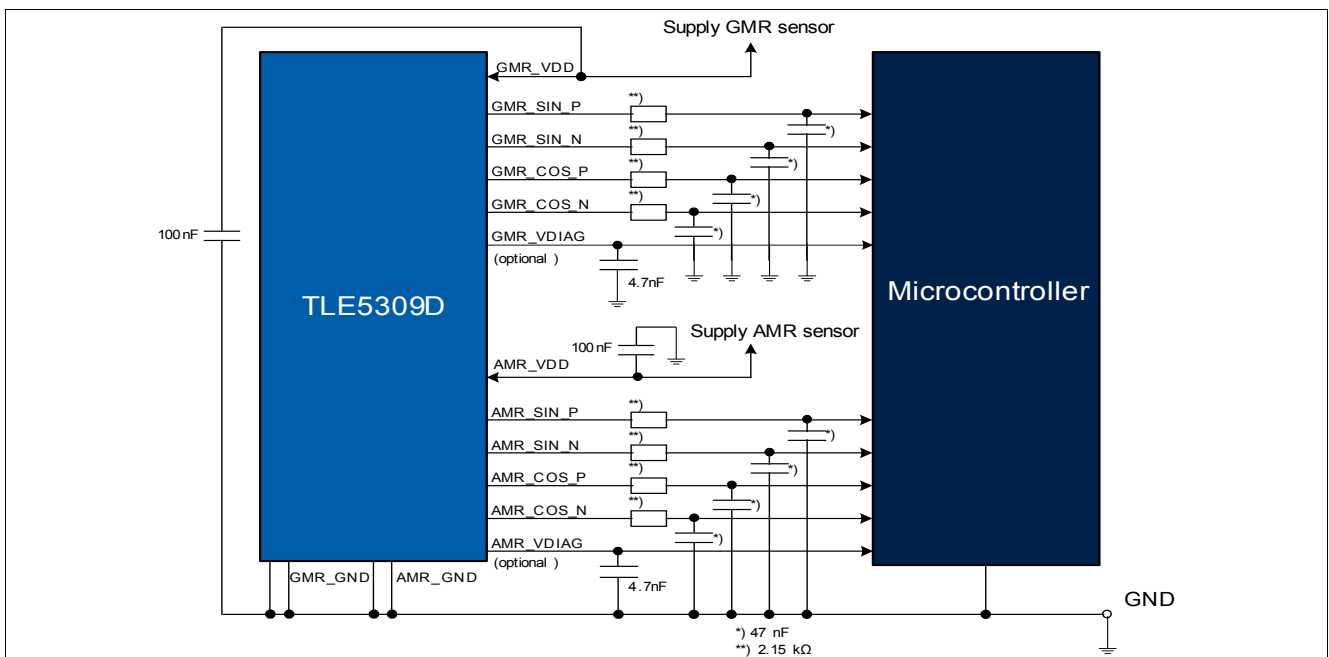


Figure 9 Application circuit for the TLE5309D

Application circuit for low-power consumption (e.g. turn counter)

Applications that use electric motors and actuators may require a turn counter function. A turn counter function allows to keep track of the electric motor or actuator position with low-power consumption. During operation the sensor is powered on, therefore the angle information is constantly available and, if necessary, stored. But when the system is not in operation the sensor is powered off to save power consumption, therefore rotational movements are not detected. To avoid missing the position the sensor can be awaked periodically to obtain the angle information. The minimum length of the awake time must cover the TLE5309D power-up time (described in Table 5) and the required time to transmit the data, which is also dependent on the application circuit.

An optimal TLE5309D application circuit for systems with turn counter function is shown in Figure 10. With a lower resistor and capacitor design the low-pass filter has a time constant of only a few microseconds. Therefore, the time needed to supply the TLE5309D with power in order to read the output signal is considerably reduced.

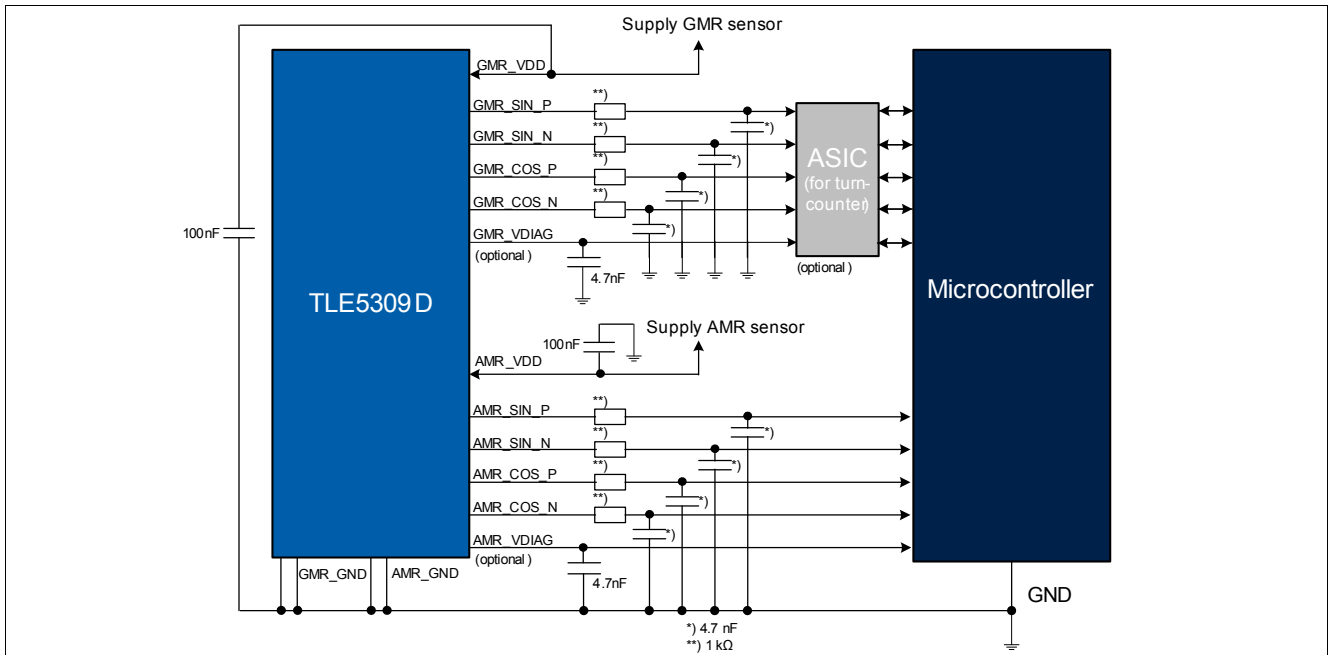


Figure 10 Application circuit for the TLE5309D in low-power applications (e.g. turn counter)

Pull-down resistors for partly diagnostics

It is also possible to use pull-down resistors to get partly diagnostics. With this setting it is not required to use the V_{DIAG} pin. The application circuit with pull-down resistors is shown in Figure 11. In the Safety Manual it is described which diagnostics are covered with this configuration.

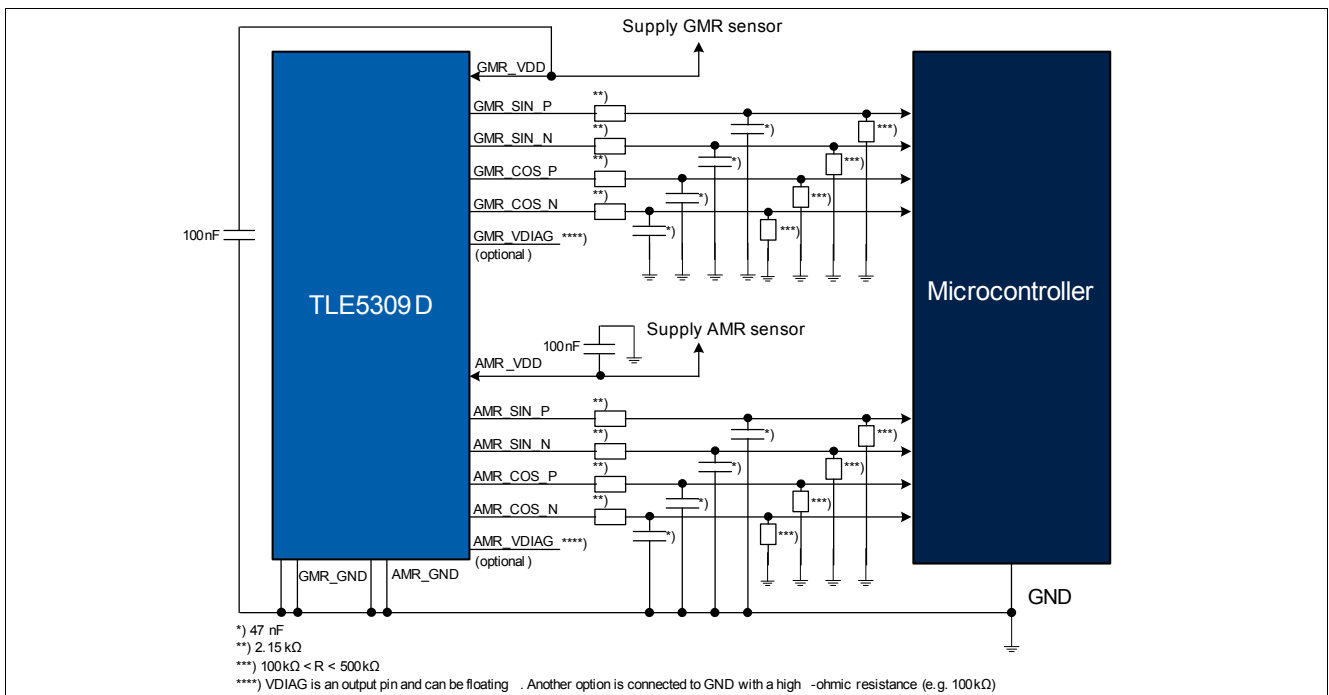


Figure 11 Application circuit for the TLE5309D for partial diagnostics with pull-down resistors

3.2 Absolute Maximum Ratings

Table 3 Absolute maximum ratings

Parameter	Symbol	Values			Unit	Note / Test Condition
		Min.	Typ.	Max.		
Supply voltage	V_{DD}	-0.5		6.5	V	Max 40 h over lifetime
Ambient temperature ¹⁾	T_A	-40		140	°C	
Magnetic field induction	B			200	mT	Max. 5 min at $T_A = 25^\circ\text{C}$
				150	mT	Max. 5 h at $T_A = 25^\circ\text{C}$

1) Assuming a thermal resistance of the sensor assembly in the application of 150 K/W or less.

Attention: Stresses above the max. values listed here may cause permanent damage to the device. Exposure to absolute maximum rating conditions for extended periods may affect device reliability. Maximum ratings are absolute ratings; exceeding only one of these values may cause irreversible damage to the device.

3.3 Sensor Specification

The following operating conditions must not be exceeded in order to ensure correct operation of the TLE5309D. All parameters specified in the following sections refer to these operating conditions, unless otherwise noted. **Table 4** is valid for $-40^{\circ}\text{C} < T_A < 125^{\circ}\text{C}$ and through the TLE5309D lifetime. Parameters are valid for AMR and GMR sensor, unless otherwise noted.

3.3.1 Operating Range

Table 4 Operating range

Parameter	Symbol	Values			Unit	Note / Test Condition
		Min.	Typ.	Max.		
Ambient temperature ¹⁾	T_A	-40		125	$^{\circ}\text{C}$	
Supply voltage GMR ²⁾	$V_{DD, GMR}$	3.0	3.3	3.6	V	E5201, E1211
		4.5	5	5.5	V	E2211
Supply voltage AMR ²⁾	$V_{DD, AMR}$	3.0	3.3	3.6	V	E1211
		4.5	5	5.5	V	E5201, E2211
Output current ³⁾	I_Q	0		0.5	mA	COS_N; COS_P; SIN_N; SIN_P
		0		0.1	mA	V_{DIAG}
Load capacitance ³⁾⁴⁾	C_L	0		4.7	nF	all output pins
Magnetic field ³⁾⁵⁾⁶⁾⁷⁾	B_{XY}	24		60	mT	in X/Y direction, at $T_A = 25^{\circ}\text{C}$
		26		100	mT	in X/Y direction, at $T_A = -40^{\circ}\text{C}$
		21		50	mT	in X/Y direction, at $T_A = 125^{\circ}\text{C}$
Angle range	α	0		360	$^{\circ}$	(AMR is 180° -periodic, see Chapter 2.5)
Rotation speed ³⁾⁸⁾	n			30,000	rpm	
				150,000	rpm	No signal saturation observed in lab

- 1) Assuming a thermal resistance of the sensor assembly in the application of 150K/W or less.
- 2) Supply voltage V_{DD} buffered with 100 nF ceramic capacitor in close proximity to the sensor.
- 3) Not subject to production test - verified by design/characterization.
- 4) Directly connected to the pin.
- 5) Values refer to a homogenous magnetic field (B_{XY}) without vertical magnetic induction ($B_Z = 0$ mT).
- 6) Min/Max values for magnetic field for intermediate temperatures can be obtained by linear interpolation.
- 7) Assuming a thermal resistance of the sensor assembly in the application of 150 K/W or less.
- 8) Typical angle propagation delay error is 1.62° at 30,000 rpm.

3.3.2 Electrical Parameters

The indicated electrical parameters apply to the full operating range, unless otherwise specified. The typical values correspond to the specified supply voltage range and 25°C , unless individually specified. All other values correspond to $-40^{\circ}\text{C} < T_A < 125^{\circ}\text{C}$ and through the TLE5309D lifetime.

Table 5 Electrical parameters

Parameter	Symbol	Values			Unit	Note / Test Condition
		Min.	Typ.	Max.		
Supply current GMR	I _{DD}		7	10.5	mA	without load on output pins
Supply current AMR			6	9.5	mA	without load on output pins
POR level	V _{POR}	2.3	2.65	2.97	V	Power-On Reset
POR hysteresis ¹⁾	V _{PORhy}		50		mV	
Power-On time ²⁾	t _{PON}		40	70	μs	settling time to 90% of full output voltages
Temperature reference voltage	V _{DIAG}	0.5	1.05	2.0	V	Temperature proportional output voltage; available on pin V _{DIAG}
Diagnostic function	V _{DIAG}	0		0.39	V	Diagnostic for internal errors; available on pin V _{DIAG}
Temperature coefficient of V _{DIAG} ¹⁾	TC _{VDIAG}		0.4		%/K	

1) Not subject to production test - verified by design/characterization.

2) Time measured at chip output pins.

3.3.3 Output Parameters

All parameters apply over the full operating range, unless otherwise specified. The parameters in [Table 6](#) refer to single pin output and [Table 7](#) to differential output. For variable names please refer to [Figure 12 “GMR sensor single-ended output signals” on Page 23](#) and [Figure 14 “GMR differential output of ideal cosine” on Page 24](#).

The following equations describe various types of errors that combine to the overall angle error.

The maximum and zero-crossing of the SIN and COS signals do not occur at the precise angle of 90°. The difference between the X and Y phases is called the **orthogonality** error. In [Equation \(3\)](#) the angle at zero crossing of the X cosine output is subtracted from the angle at the maximum of the Y SIN output, which describes the orthogonality of X and Y.

$$\varphi = \alpha [Y_{\max}] - \alpha [X_0] \tag{3}$$

The amplitudes of SIN and COS signals are not equal to each other. The amplitude mismatch is defined as **synchronism**, shown in [Equation \(4\)](#). This value could also be described as amplitude ratio mismatch.

$$k = 100 * \frac{A_X}{A_Y} \tag{4}$$

Differential signals are centered at the mean output voltage V_{MVX}, V_{MVY} given in [Table 6](#). The differential voltages for X or Y are defined in [Equation \(5\)](#).

$$\begin{aligned} V_{Xdiff} &= V_{COSP} - V_{COSN} \\ V_{Ydiff} &= V_{SINP} - V_{SINN} \end{aligned} \tag{5}$$

The maximum amplitudes are defined for X or Y as given in [Equation \(6\)](#):

$$A_{Xdiff} = \frac{(X_{diff_MAX} - X_{diff_MIN})}{2}$$

$$A_{Ydiff} = \frac{(Y_{diff_MAX} - Y_{diff_MIN})}{2}$$
(6)

Differential offset is of X or Y is defined in [Equation \(7\)](#).

$$O_{Xdiff} = \frac{(X_{diff_MAX} + X_{diff_MIN})}{2}$$

$$O_{Ydiff} = \frac{(Y_{diff_MAX} + Y_{diff_MIN})}{2}$$
(7)

Table 6 Single pin output parameters over temperature and lifetime

Parameter	Symbol	Values			Unit	Note / Test Condition
		Min.	Typ.	Max.		
X, Y amplitude	A _X , A _Y	0.7		1.3	V	sensors with 3.3V supply
		1.2		1.95	V	sensors with 5.0V supply
Mean output voltage	V _{MVX} , V _{MVY}	0.47*V _{DD}	0.5*V _{DD}	0.53*V _{DD}	V	V _{MV} =(V _{max} +V _{min})/2 ¹⁾
X,Y cut off frequency ²⁾	f _c		30		kHz	-3 dB attenuation
X,Y delay time ²⁾³⁾	t _{adel}		9		µs	
Output noise ²⁾	V _{Noise}		1.5		mV	RMS

1) V_{max} and V_{min} correspond to the voltage levels at X_{max} or Y_{max} and X_{min} or Y_{min} respectively as shown in [Figure 12](#), [Figure 13](#).

2) Not subject to production test - verified by design/characterization

3) Time measured at chip output pins.

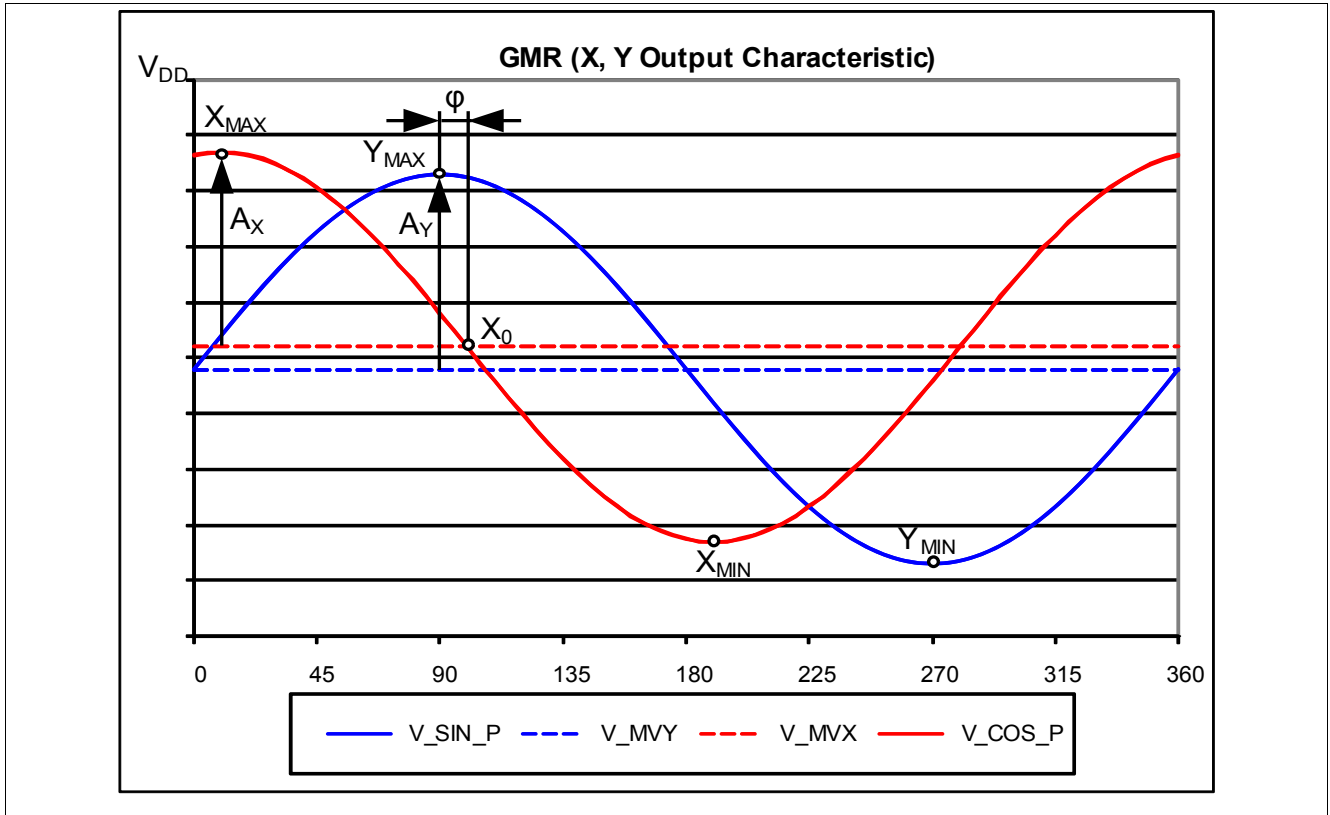


Figure 12 GMR sensor single-ended output signals

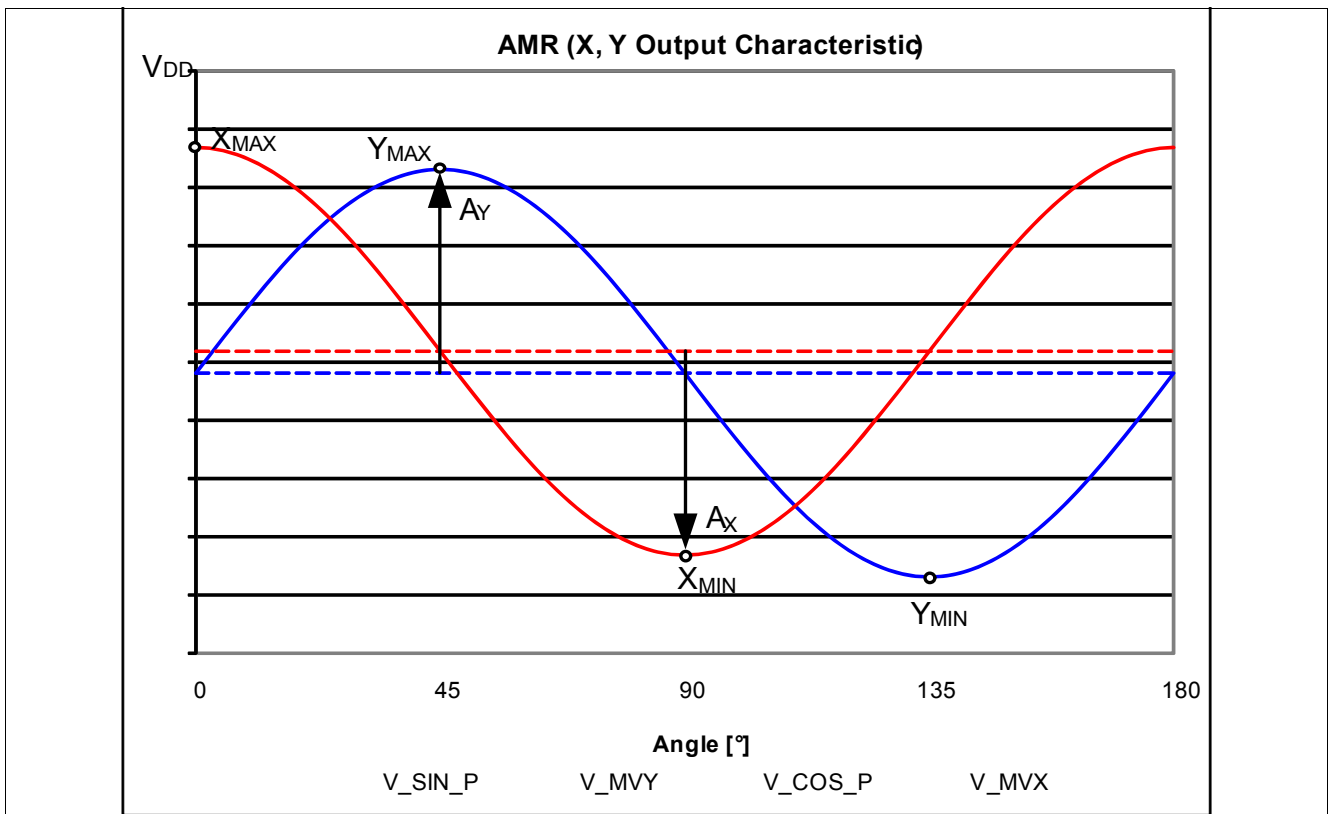


Figure 13 AMR sensor single-ended output signals

Table 7 Differential output parameters over temperature and lifetime

Parameter	Symbol	Values			Unit	Note / Test Condition
		Min.	Typ.	Max.		
X, Y amplitude	A_{Xdiff}, A_{Ydiff}	1.4		2.6	V	sensors with 3.3V supply
		2.4		3.9	V	sensors with 5.0V supply
X, Y synchronism	k	94	100	106	%	GMR
		96	100	104	%	AMR
X, Y orthogonality error	φ	-12		12	°	GMR (AMR irrelevant)
X, Y offset	O_{Xdiff}, O_{Ydiff}	-100	0	100	mV	GMR
		-200	0	200	mV	AMR
X, Y cut-off frequency ¹⁾	f_c		30		kHz	-3dB attenuation
X, Y delay time ¹⁾²⁾	t_{adel}		9		µs	
Vector Length ($V_{VEC} = \text{Sqrt}(X_{Diff}^2 + Y_{Diff}^2)$)	V_{VEC}	1.5		2.8		sensors with 3.3V supply
		2.5		3.9		sensors with 5.0V supply
Output noise ¹⁾	V_{Noise}		5		mV	RMS

1) Not subject to production test - verified by design/characterization.

2) Time measured at chip output pins.

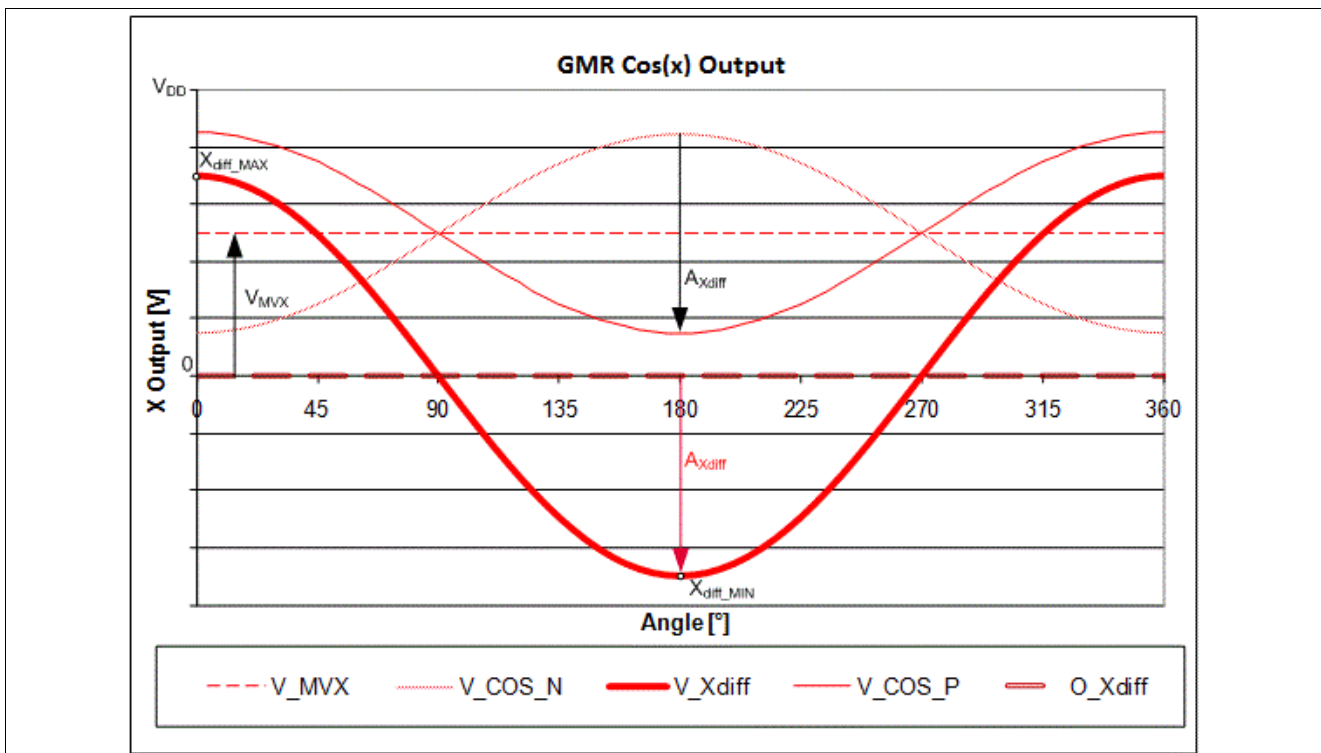


Figure 14 GMR differential output of ideal cosine

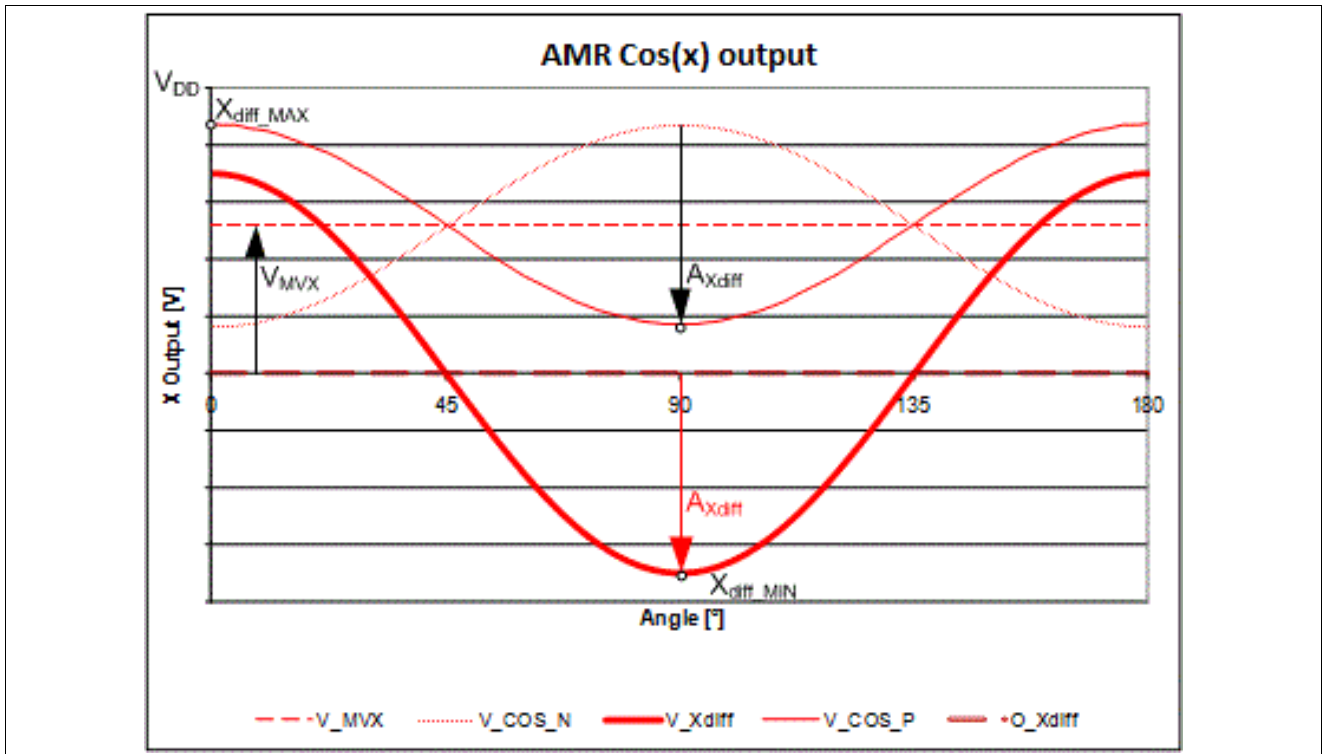


Figure 15 AMR differential output of ideal cosine

3.4 Error diagnosis

Each sensor provides two functions at its V_{DIAG} pin. During normal operation the voltage measured at this pin is temperature dependent. The typical voltage at room temperature and the temperature coefficient are given in [Table 5 “Electrical parameters” on Page 21](#).

The second purpose of pin V_{DIAG} is the diagnosis functionality. In case the device detects an internal error, the pin is driven to a low level. The errors that can be detected by monitoring the status of the V_{DIAG} pin are:

- Overvoltage at V_{DD} (supply)
- Undervoltage at V_{DD} (supply)
- Undervoltage at internal nodes (analog voltage regulator and/or GMR voltage regulator)
- Bandgap failure (temperature)
- Oscillator failure (only tested at startup)
- Parity check of configuration fuses (only tested at startup)

Not all the failure conditions that are detected by the V_{DIAG} pin are also detected by the alternative configuration with pull-down resistors described in [Figure 11](#). For further details please refer to the [Safety Manual](#).

3.5 Angle Performance

The overall angle error represents the relative angular error. This error describes the deviation from the reference line after zero angle definition. The typical value corresponds to an ambient temperature of 25°C. All other values correspond to the operating ambient temperature range $-40^{\circ}\text{C} < T_A < 125^{\circ}\text{C}$ and through the TLE5309D lifetime.

Fully compensated performance

Using the algorithm described in the application note [“TLE5009 Calibration”](#), it is possible to implement an ongoing automatic calibration on the microcontroller to greatly improve the performance of the TLE5309D, as temperature and lifetime drifts are better compensated. This is only possible in applications where a rotor is turning continuously.

With this autocalibration algorithm, it is possible to reach an angular accuracy as good as the residual error of the sensing elements, which means the remaining error after perfect compensation of offset and amplitude synchronicity mismatch for both the AMR and the GMR sensors and perfect compensation of orthogonality error for the GMR sensor.

Table 8 Residual angle error in differential applications over temperature and lifetime¹⁾

Parameter	Symbol	Values			Unit	Note / Test Condition
		Min.	Typ.	Max.		
Overall angle error AMR sensor ²⁾³⁾	α_{ERR}		0.1	0.5	°	
Overall angle error GMR sensor ²⁾³⁾	α_{ERR}		0.6	0.9	°	

1) After perfect compensation of offset, amplitude synchronicity mismatch and orthogonality error.

2) Including hysteresis error.

3) Valid for differential applications.

Angle performance with one-time calibration

To achieve the overall angle error specified, both sensor ICs in the TLE5309D have to be calibrated for offset and amplitude synchronism at 25°C. Additionally, the GMR sensor has to be calibrated for orthogonality. The compensation parameters have to be stored and applied on the microcontroller. For the detailed calibration procedure refer to the application note [“TLE5009 Calibration”](#).

Table 9 Angle error in differential applications over temperature and lifetime

Parameter	Symbol	Values			Unit	Note / Test Condition
		Min.	Typ.	Max.		
Overall angle error AMR sensor ¹⁾²⁾	α_{ERR}		0.1	2.9	°	E5201
			0.1	1.7	°	E1211, E2211
Overall angle error GMR Sensor ¹⁾²⁾	α_{ERR}		0.6	3.8	°	E5201
			0.6	3.0	°	E1211, E2211

1) Including hysteresis error.

2) Valid for differential applications. Please contact Infineon for information about possible optimization for single ended applications.

3.6 Electrostatic discharge protection

Table 10 ESD protection

Parameter	Symbol	Values		Unit	Notes
		min.	max.		
ESD voltage	V_{HBM}		±4.0	kV	¹⁾ ground pins connected.
			±2.0	kV	¹⁾
	V_{CDM}		±0.5	kV	²⁾
			±0.75	kV	²⁾ for corner pins.

1) Human Body Model (HBM) according to ANSI/ESDA/JEDEC JS-001.

2) Charged Device Model (CDM) according to JESD22-C101.

3.7 Electro Magnetic Compatibility (EMC)

The TLE5309D is characterized according to the EMC requirements described in the “Generic IC EMC Test Specification” Version 1.2 from November 15, 2007. The classification of the TLE5309D is done for local pins.

4 Package Information

The TLE5309D comes in a green SMD package with lead-free plating, the **PG-TDSO-16**.

4.1 Package Parameters

Table 11 Package parameters

Parameter	Symbol	Limit Values			Unit	Notes
		min.	typ.	max.		
Thermal Resistance	R_{thJA}		130	150	K/W	Junction-to-Air ¹⁾
	R_{thJC}			35	K/W	Junction-to-Case
	R_{thJL}			70	K/W	Junction-to-Lead
Moisture Sensitivity Level		MSL 3				260°C
Lead Frame		Cu				
Plating		Sn 100%				> 7 μ m

1) According to Jecdec JESD51-7

4.2 Package Outline

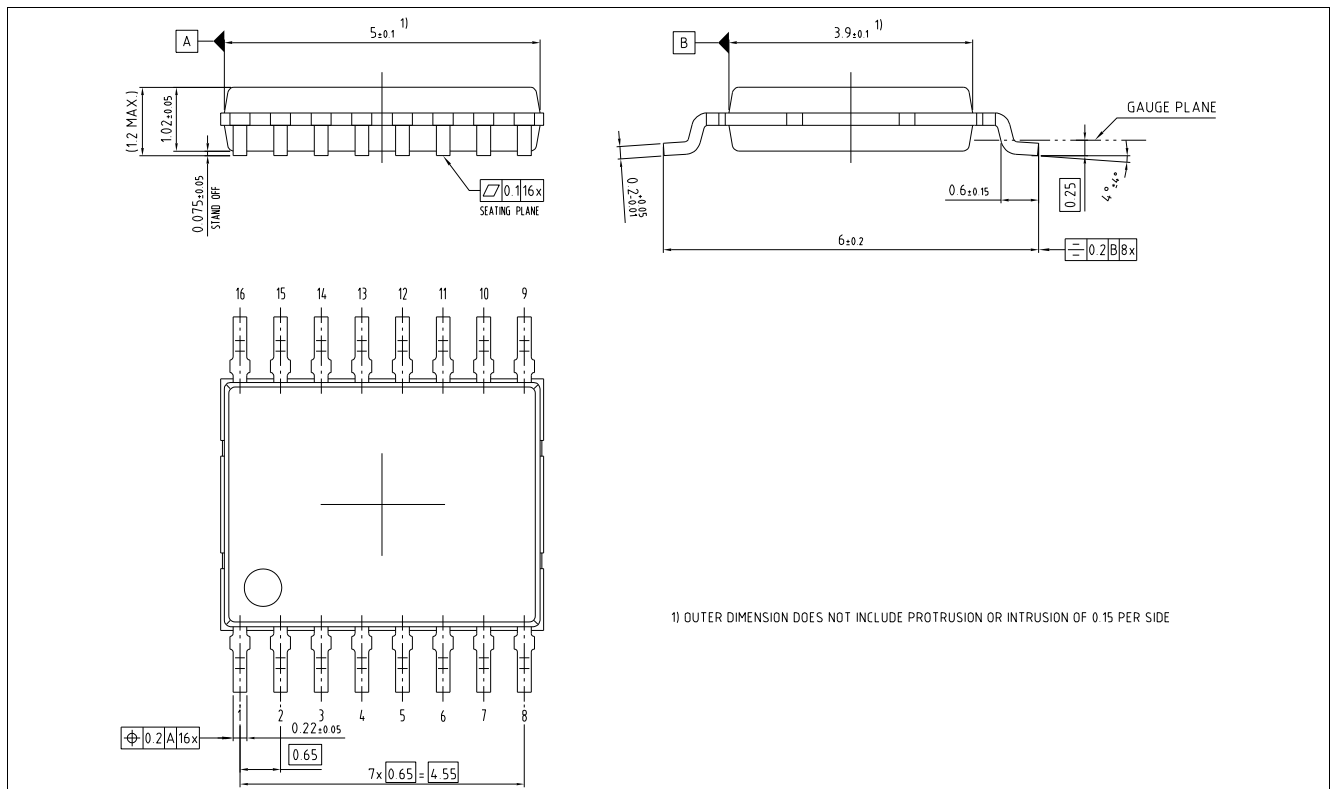


Figure 16 Package dimensions

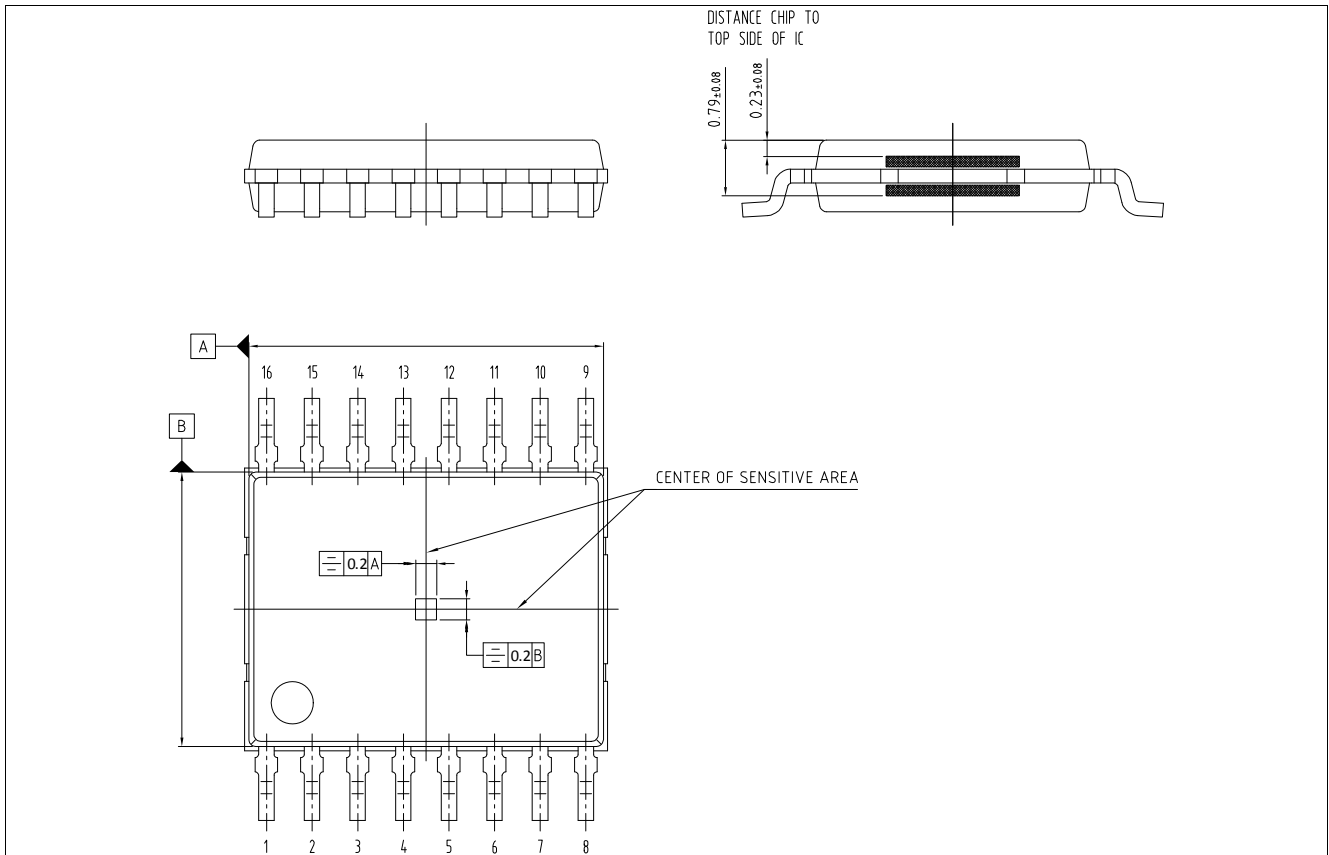


Figure 17 Position of sensing element

Table 12 Sensor IC placement tolerances in package

Parameter	Values		Unit	Notes
	Min.	Max.		
position eccentricity	-100	100	µm	in X- and Y-direction
rotation	-3	3	°	affects zero position offset of sensor
tilt	-3	3	°	

4.3 Footprint

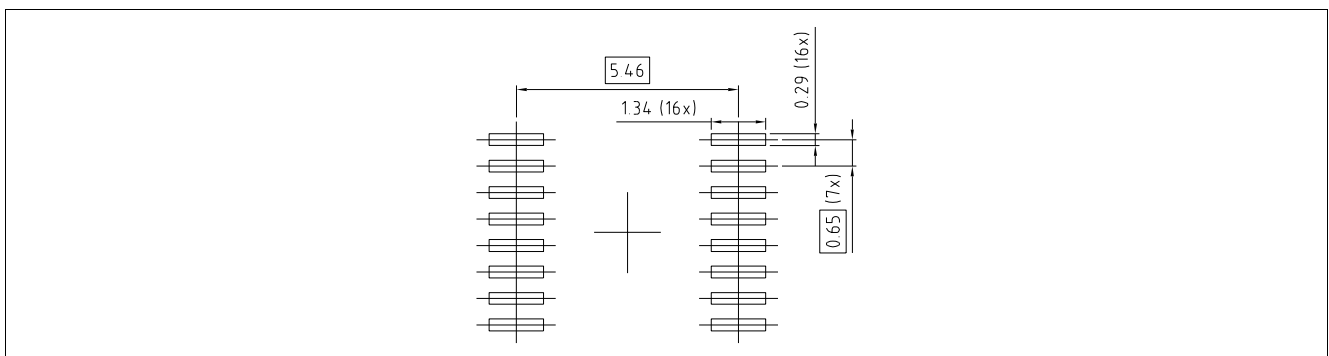


Figure 18 Footprint

4.4 Packing

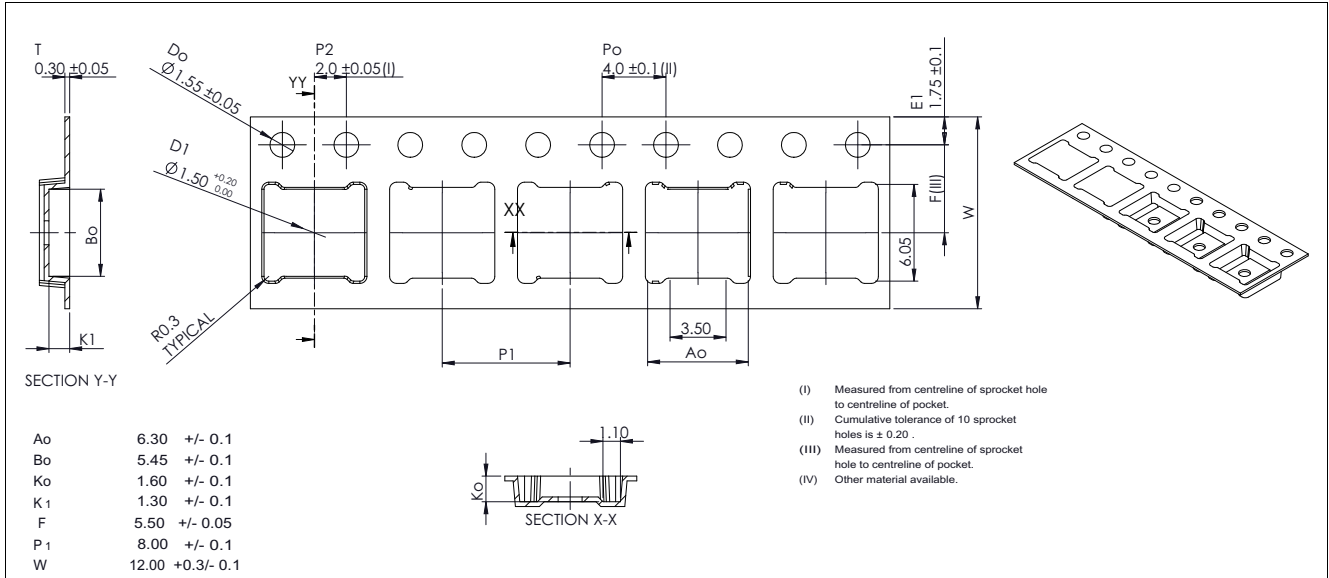


Figure 19 Tape and reel

4.5 Marking

The device is marked on the frontside with a date code, the device type and a lot code. On the backside there is a 8 x 18 data matrix code.

Position	Marking	Description
1st Line	Gxxxx	G = green, 4-digit = date code
2nd Line	309Dxxxx	Type (8 digits), see ordering Table 1
3rd Line	xxx	Lot code (3 digits)

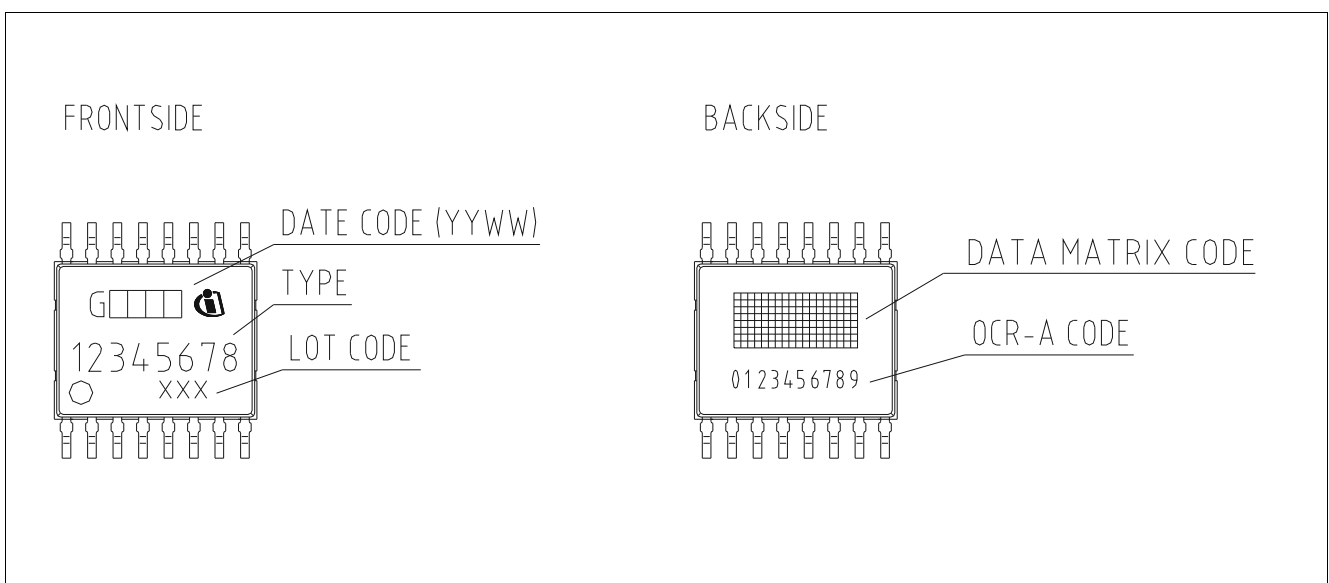


Figure 20 Marking

References

TLE5009 Calibration Application Note, TLE5009_Calibration_AN_Rev1.0.pdf, 2010-12-21

TLE5009 Safety Manual Version 1.0, TLE5009_SafetManual.pdf, 2015-04

www.infineon.com

Published by Infineon Technologies AG

Mouser Electronics

Authorized Distributor

Click to View Pricing, Inventory, Delivery & Lifecycle Information:

[Infineon:](#)

[TLE5309DE5201XUMA1](#)