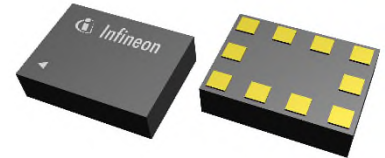


BGSA400ML10

Ultra high RF voltage antenna tuning switch

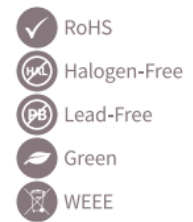
Features

- Low R_{ON} resistance of 2.0 Ω at each port in ON state
- Low C_{OFF} capacitance of 165 fF at each port in OFF state
- High RF operating peak voltage handling of typical 90 V in OFF state
- Low harmonic generation
- MIPI RFFE 2.1 control interface
- Extremely low current consumption of 22 μ A
- 4 default USID addresses via external USID_SEL pin
- Small form factor 1.1 mm x 1.5 mm (MSL1, 260 °C per JEDEC J-STD-020)



Potential applications

- Impedance, Antenna and Inductance Tuning
- Tunable Filters



Description

The BGSA400ML10 is a versatile shunt to ground 4 x single-pole single-throw (4xSPST) RF antenna tuning switch. It is optimized for low C_{OFF} as well as low R_{ON} enabling applications up to 7.125GHz.

The BGSA400ML10 is ideal for antenna tuning application. This chip integrates on-chip CMOS logic and power supply regulation. Its digital control interface is compliant with MIPI2.1 RFFE specification and each switch throw can be programmed individually or all together in the same RFFE command frame. Up to 4 instantiations of the same device can be controlled using the same RFFE bus thanks to its 4 states USID_SEL pin unique feature.

Ultra high RF voltage antenna tuning switch

Block diagram and ordering information

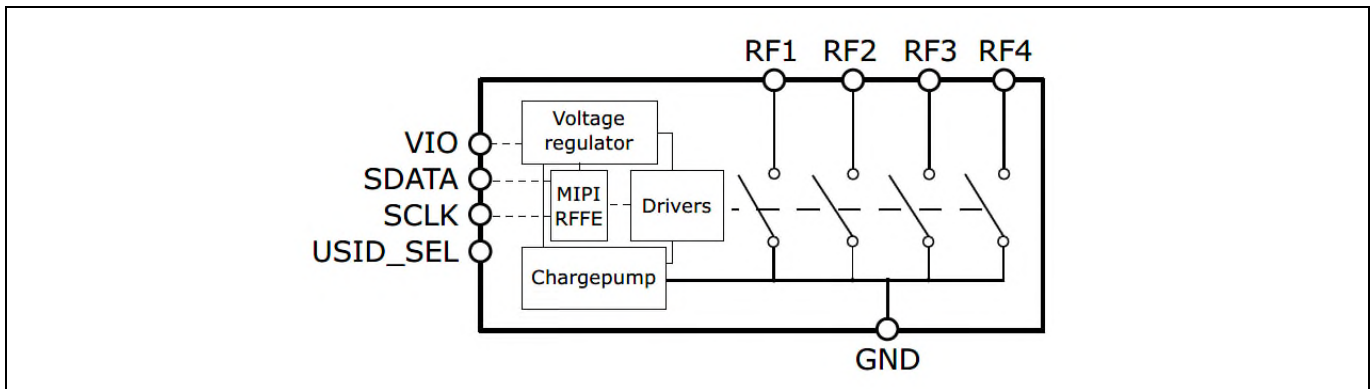


Figure 1 BGSA400ML10 Block diagram

Table 1 Ordering Information

Type	Marking	Package	Product name
BGSA400ML10	4T	TSLP-10-3	BGSA 400ML10 E6327

For more technical information, please contact our Technical Assistance Center or your local Infineon representative.

Trademarks

All referenced product or service names and trademarks are the property of their respective owners.

Edition 2019-09-16
Published by
Infineon Technologies AG
81726 München, Germany

© 2022 Infineon Technologies AG.
All Rights Reserved.

Do you have a question about this document?

Email: erratum@infineon.com

Document reference

ifx1

IMPORTANT NOTICE

The information given in this document shall in no event be regarded as a guarantee of conditions or characteristics ("Beschaffenheitsgarantie").

With respect to any examples, hints or any typical values stated herein and/or any information regarding the application of the product, Infineon Technologies hereby disclaims any and all warranties and liabilities of any kind, including without limitation warranties of non-infringement of intellectual property rights of any third party.

In addition, any information given in this document is subject to customer's compliance with its obligations stated in this document and any applicable legal requirements, norms and standards concerning customer's products and any use of the product of Infineon Technologies in customer's applications.

The data contained in this document is exclusively intended for technically trained staff. It is the responsibility of customer's technical departments to evaluate the suitability of the product for the intended application and the completeness of the product information given in this document with respect to such application.

For further information on the product, technology, delivery terms and conditions and prices please contact your nearest Infineon Technologies office (www.infineon.com).

WARNINGS

Due to technical requirements products may contain dangerous substances. For information on the types in question please contact your nearest Infineon Technologies office.

Except as otherwise explicitly approved by Infineon Technologies in a written document signed by authorized representatives of Infineon Technologies, Infineon Technologies' products may not be used in any applications where a failure of the product or any consequences of the use thereof can reasonably be expected to result in personal injury.

Mouser Electronics

Authorized Distributor

Click to View Pricing, Inventory, Delivery & Lifecycle Information:

[Infineon:](#)

[BGSA400ML10E6327XTSA1](#)