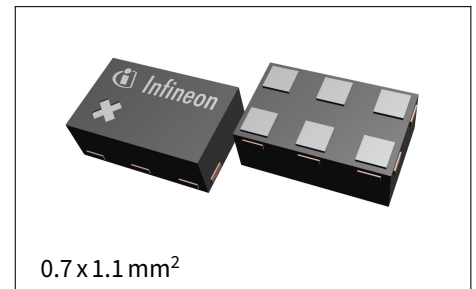


# BGA9H1BN6

## Highband High Performance LNA with Power-Save-Mode

### Features

- Operating frequencies: 2.3 to 2.7 GHz
- Insertion power gain: 20.3 dB
- Insertion loss in bypass mode: 4.3 dB
- Low noise figure: 0.6 dB
- Low current consumption: Min. 2.2 mA
- Multi-state control to save power



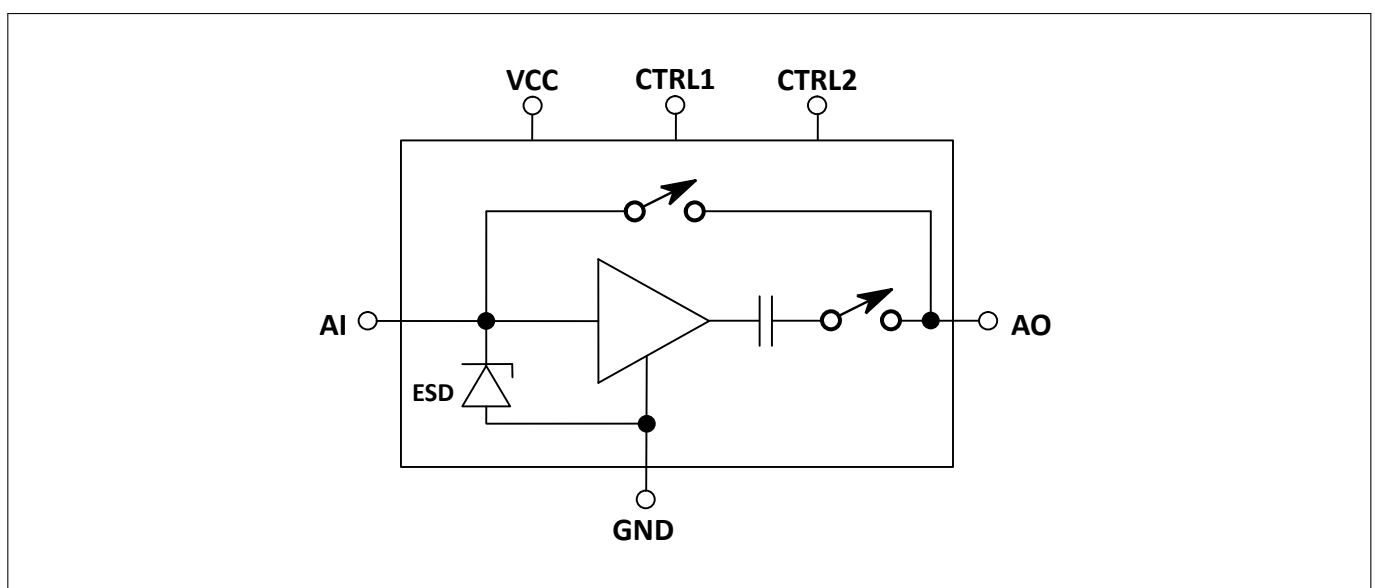
### Potential Applications

The BGA9H1BN6 is designed for 4G and 5G applications covering 3GPP bands between 2.3 and 2.7 GHz (optimized for band n41). As a result of a high gain and an ultra-low noise figure performance of the LNA the system sensitivity is significantly improved compared to conventional LNAs. The GPIO interface provides a straightforward control over multiple operation modes. Next to the high gain mode and bypass mode, a power-save and a high performance mode can be selected to increase system dynamic. Due to the low-power mode with 2.2 mA current consumption and 1.2V operation voltage the overall power consumption is extremely low. The BGA9H1BN6 is suitable to be implemented in small battery powered devices like wearables or smartphones.

### Product Validation

Qualified for industrial applications according to the relevant tests of JEDEC47/20/22.

### Block diagram



# BGA9H1BN6

## Highband High Performance LNA with Power-Save-Mode

---

### Table of Contents

## Table of Contents

Table of Contents	1
1 Features	2
2 Maximum Ratings	3
3 Electrical Characteristics	4
4 Application Information	6
5 Package Information	8

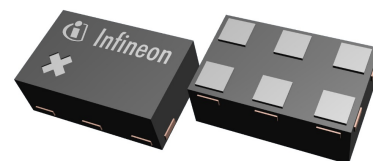
# BGA9H1BN6

## Highband High Performance LNA with Power-Save-Mode

### Features

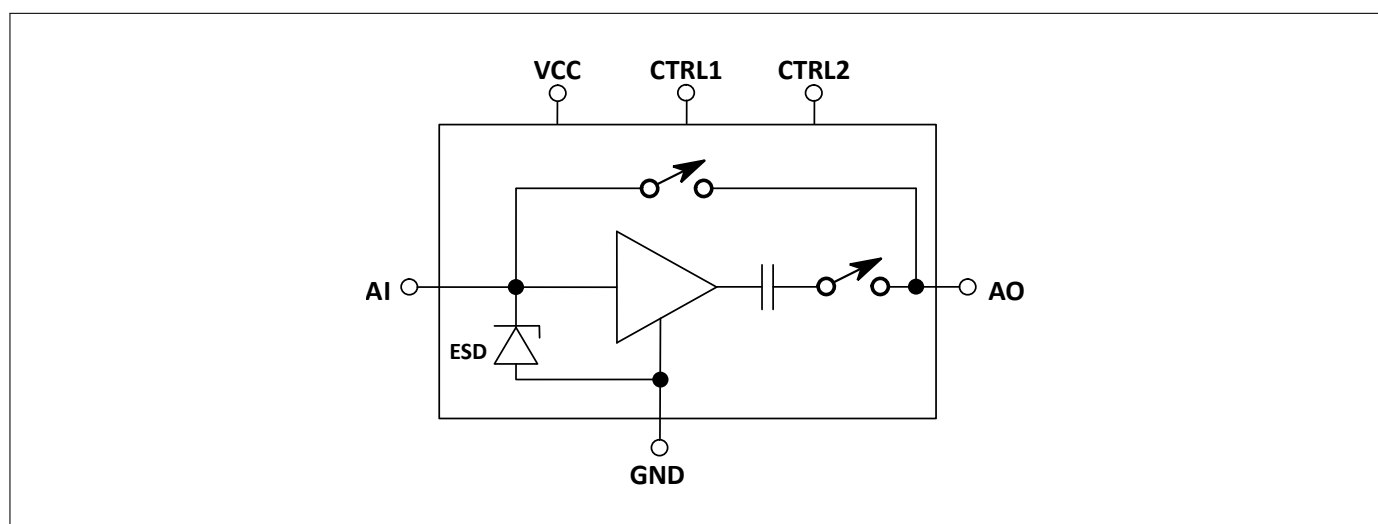
## 1 Features

- Insertion power gain: Max. 20.3 dB
- Insertion loss in bypass mode: 4.3 dB
- Low noise figure: 0.6 dB
- Low current consumption: Min. 2.2 mA
- Operating frequencies: 2.3 to 2.7 GHz
- Multi-state control
- Supply voltage: 1.1 V to 3.3 V
- Ultra small TSNP-6-10 leadless package (footprint: 0.7 x 1.1 x 0.37 mm<sup>3</sup>)
- Silicon germanium BiCMOS technology
- RF output internally matched to 50 Ohm
- Only one external matching component
- RoHS and WEEE compliant package



## Description

The BGA9H1BN6 is a low noise amplifier for 4G and 5G which covers a wide frequency range from 2.3 GHz to 2.7 GHz. The LNA provides up to 20.3 dB gain and 0.6 dB noise figure at a current consumption of 5.5 mA in the application configuration described in Chapter 4. With the multi-state feature the gain can be adjusted to increase system dynamic and covers a power-saving option. The two-line-state control is fully backwards compatible to a standard GPIO controlled LNA. The BGA9H1BN6 supports ultra-low bypass current of 0.6  $\mu$ A and 1.2 V operating voltage to reduce power consumption. It operates from 1.1 V to 3.3 V supply voltage over temperature. The compact 6 pin TSNP-6 package with the dimension of 1.1 x 0.7 mm<sup>2</sup> helps to save space on the PCB.



**Figure 1:** BGA9H1BN6 Block diagram

Product Name	Marking	Package
BGA9H1BN6	H	PG-TSNP-6-10

# BGA9H1BN6

## Highband High Performance LNA with Power-Save-Mode

### Maximum Ratings

## 2 Maximum Ratings

Table 1: Maximum Ratings

Parameter	Symbol	Values			Unit	Note / Test Condition
		Min.	Typ.	Max.		
Voltage at pin VCC	$V_{CC}$	-0.3	–	3.6	V	<sup>1</sup>
Voltage at pin AI	$V_{AI}$	–	–	–	V	<sup>2</sup>
Voltage at pin AO	$V_{AO}$	-0.3	–	$V_{CC} + 0.3$	V	$V_{CC} + 0.3$ must not exceed 3.6 V
Voltage at pins CTRL1/CTRL2	$V_{CTRL1,2}$	-0.3	–	$V_{CC} + 0.3$	V	–
Voltage at pin GND	$V_{GND}$	-0.3	–	0.3	V	–
Current into pin VCC	$I_{CC}$	–	–	27	mA	–
RF input power	$P_{IN}$	–	–	+25	dBm	–
Total power dissipation	$P_{tot}$	–	–	100	mW	–
Junction temperature	$T_J$	–	–	150	°C	–
Ambient temperature range	$T_A$	-40	–	85	°C	–
Storage temperature range	$T_{STG}$	-55	–	150	°C	–
ESD capability, HBM	$V_{ESD\_HBM}$	-2000	–	2000	V	<sup>3</sup>

<sup>1</sup>All voltages refer to GND-Nodes unless otherwise noted

<sup>2</sup>No external DC voltage allowed

<sup>3</sup>Human Body Model ANSI/ESDA/JEDEC JS-001 ( $R = 1.5 \text{ k}\Omega$ ,  $C = 100 \text{ pF}$ )

**Warning: Stresses above the max. values listed here may cause permanent damage to the device. Maximum ratings are absolute ratings; exceeding only one of these values may cause irreversible damage to the integrated circuit. Exposure to conditions at or below absolute maximum rating but above the specified maximum operation conditions may affect device reliability and life time. Functionality of the device might not be given under these conditions.**

### Electrical Characteristics

## 3 Electrical Characteristics

**Table 3: Electrical Characteristics at  $T_A = 25^\circ\text{C}$ ,  $V_{CC} = 1.8\text{ V}$ ,  $V_{CTRL1/2} = 0/1.8\text{ V}$**

Parameter <sup>1</sup>	Symbol	Values			Unit	Note / Test Condition
		Min.	Typ.	Max.		
Supply Voltage	$V_{CC}$	1.1	1.8	3.3	V	ON-Mode
Control input voltage	$V_{IH}$	$0.7 * V_{CC}$	–	$V_{CC}$	V	Logic H
	$V_{IL}$	0	–	$0.3 * V_{CC}$	V	Logic L
Supply Current	$I_{CC}$	4.2	5.5	6.8	mA	High performance mode
		3.2	4.2	5.2	mA	High gain mode
		1.6	2.2	2.8	mA	Power save mode
		0.0003	0.0006	0.001	mA	Bypass mode
Insertion power gain $f = 2600\text{ MHz}$	$ S_{21} ^2$	18.8	20.3	21.8	dB	High performance mode
		18.0	19.5	21.0	dB	High gain mode
		15.1	16.6	18.1	dB	Power save mode
		-5.6	-4.5	-3.6	dB	Bypass mode
Noise Figure $f = 2600\text{ MHz}$ , $Z_S = 50\Omega$	NF	–	0.6	1.1	dB	High performance mode
		–	0.6	1.1	dB	High gain mode
		–	0.8	1.3	dB	Power save mode
		–	4.6	5.6	dB	Bypass mode
Input return loss <sup>2</sup> $f = 2600\text{ MHz}$	$RL_{IN}$	9	13	–	dB	High performance mode
		8	12	–	dB	High gain mode
		5	8	–	dB	Power save mode
		4	6	–	dB	Bypass mode
Output return loss $f = 2600\text{ MHz}$	$RL_{OUT}$	10	22	–	dB	High performance mode
		10	21	–	dB	High gain mode
		10	20	–	dB	Power save mode
		3	5	–	dB	Bypass mode
Reverse Isolation $f = 2600\text{ MHz}$	$1/ S_{12} ^2$	25	30	–	dB	High performance mode
		24	29	–	dB	High gain mode
		24	29	–	dB	Power save mode
		3.6	4.6	–	dB	Bypass mode
Inband input 1dB-compression point $f = 2600\text{ MHz}$	$IP_{1dB}$	-21	-17	–	dBm	High performance mode
		-20	-16	–	dBm	High gain mode
		-14	-10	–	dBm	Power save mode
		+1	+5	–	dBm	Bypass mode
Inband input 3 <sup>rd</sup> -order intercept point <sup>3</sup>	$IIP_3$	-12	-7	–	dBm	High performance mode
		-12	-7	–	dBm	High gain mode
		-16	-11	–	dBm	Power save mode
		+17	+22	–	dBm	Bypass mode

Continued on next page

<sup>1</sup>Based on application described in chapter 4

<sup>2</sup>Can be tuned by using different external matching components

<sup>3</sup>Input power = -30 dBm for each tone / -15 dBm for bypass mode,  $f_1 = 2600\text{ MHz}$ ,  $f_2 = f_1 + 1\text{ MHz}$

# BGA9H1BN6

## Highband High Performance LNA with Power-Save-Mode

### Electrical Characteristics

**Table 3: RF Characteristics – Continued from previous page**

Parameter	Symbol	Values			Unit	Note / Test Condition
		Min.	Typ.	Max.		
Stability	$k$	> 1	–	–		$f = 20 \text{ MHz} - 10 \text{ GHz}$

**Table 4: Switching times at  $T_A = 25 \text{ °C}$ ,  $V_{CC} = 1.8 \text{ V}$ ,  $V_{CTRL1/2} = 0/1.8 \text{ V}$ ,  $f = 2300 - 2700 \text{ MHz}$**

Parameter <sup>1</sup>	Symbol	Values			Unit	Note / Test Condition
		Min.	Typ.	Max.		
Power up settling time <sup>2</sup>	$t_{PUP}$	–	–	< 1	$\mu\text{s}$	
Gain settling time <sup>3</sup>	$t_{GST}$	–	–	< 1	$\mu\text{s}$	For all gain modes

<sup>1</sup>Based on application described in chapter 4 unless otherwise noted

<sup>2</sup>Time between  $V_{CC}$  is at steady state and RF signal is within 1 dB gain error of steady state gain

<sup>3</sup>Time between change of control signal and RF signal is within 1 dB gain error of steady state gain

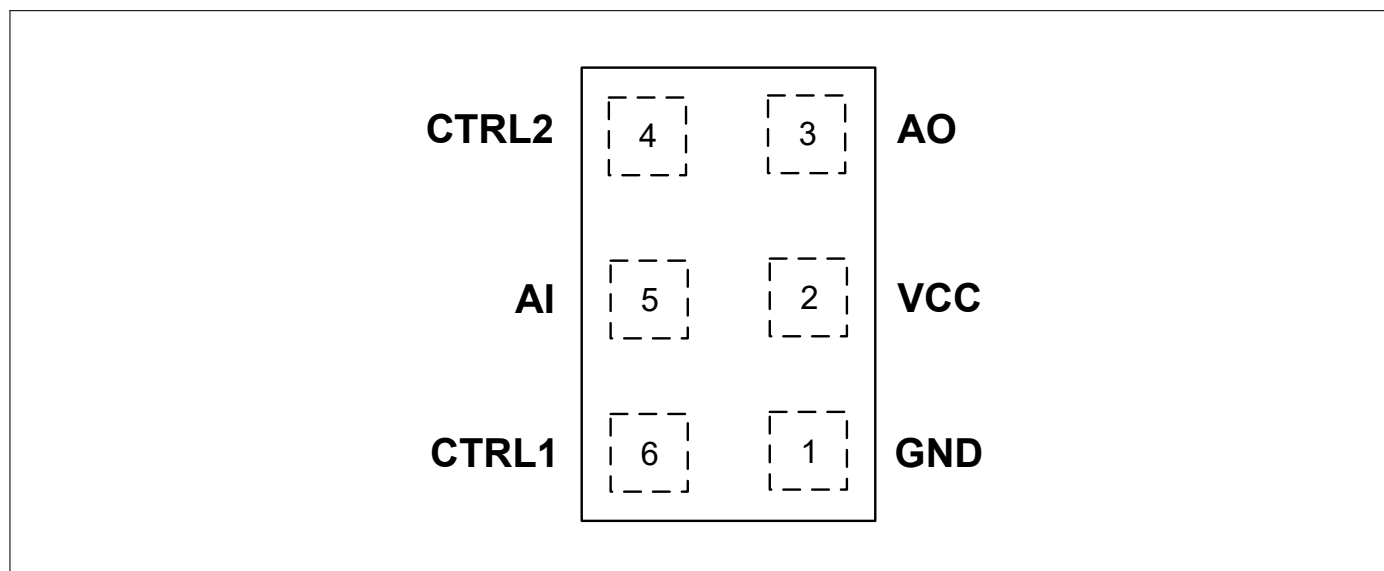
# BGA9H1BN6

## Highband High Performance LNA with Power-Save-Mode

### Application Information

## 4 Application Information

### Pin Configuration and Function



**Figure 2:** BGA9H1BN6 Pin Configuration (top view)

**Table 5: Pin Definition and Function**

Pin No.	Name	Function
1	GND	Ground
2	VCC	DC Supply
3	AO	LNA Output
4	CTRL2	Control pin 2
5	AI	LNA Input
6	CTRL1	Control pin 1

**Table 6: Gain mode selection truth table**

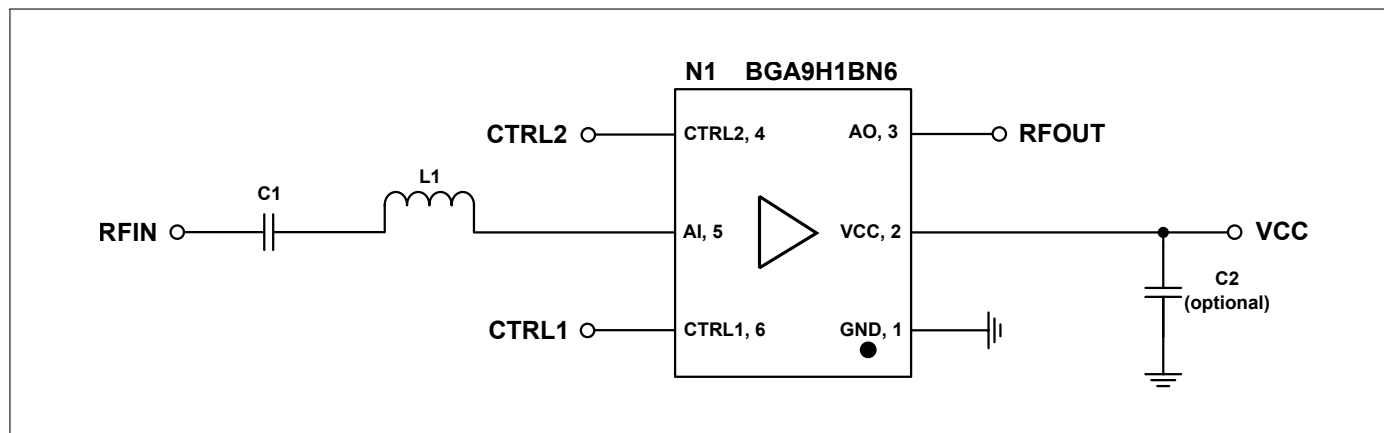
Control voltage $V_{CTRL1}$	Control voltage $V_{CTRL2}$	Gain Mode
Low	High	High performance mode
High	Low	High gain mode
High	High	Power save mode
Low	Low	Bypass mode

# BGA9H1BN6

## Highband High Performance LNA with Power-Save-Mode

### Application Information

### Application Board Configuration



**Figure 3:** BGA9H1BN6 Application Schematic

**Table 7: Bill of Materials Table**

Name	Value	Package	Manufacturer	Function
C1	22 pF	0201	Various	DC block
C2 (optional)	$\geq 10$ nF	0201	Various	RF bypass <sup>1</sup>
L1	4.7 nH	0201	muRata LQP03TN type	Input matching
N1	BGA9H1BN6	PG-TSNP-6-10	Infineon	SiGe BiCMOS LNA

<sup>1</sup>RF bypass recommended to mitigate power supply noise.

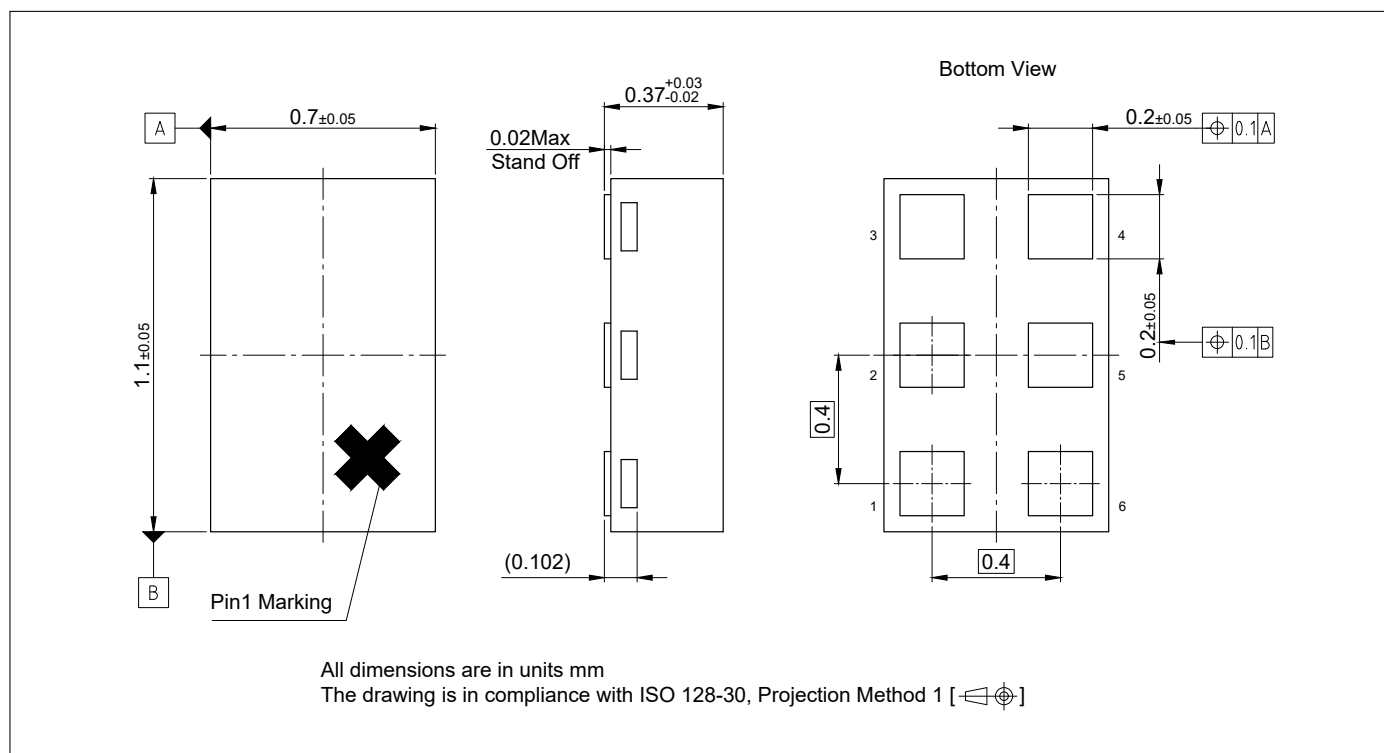


# BGA9H1BN6

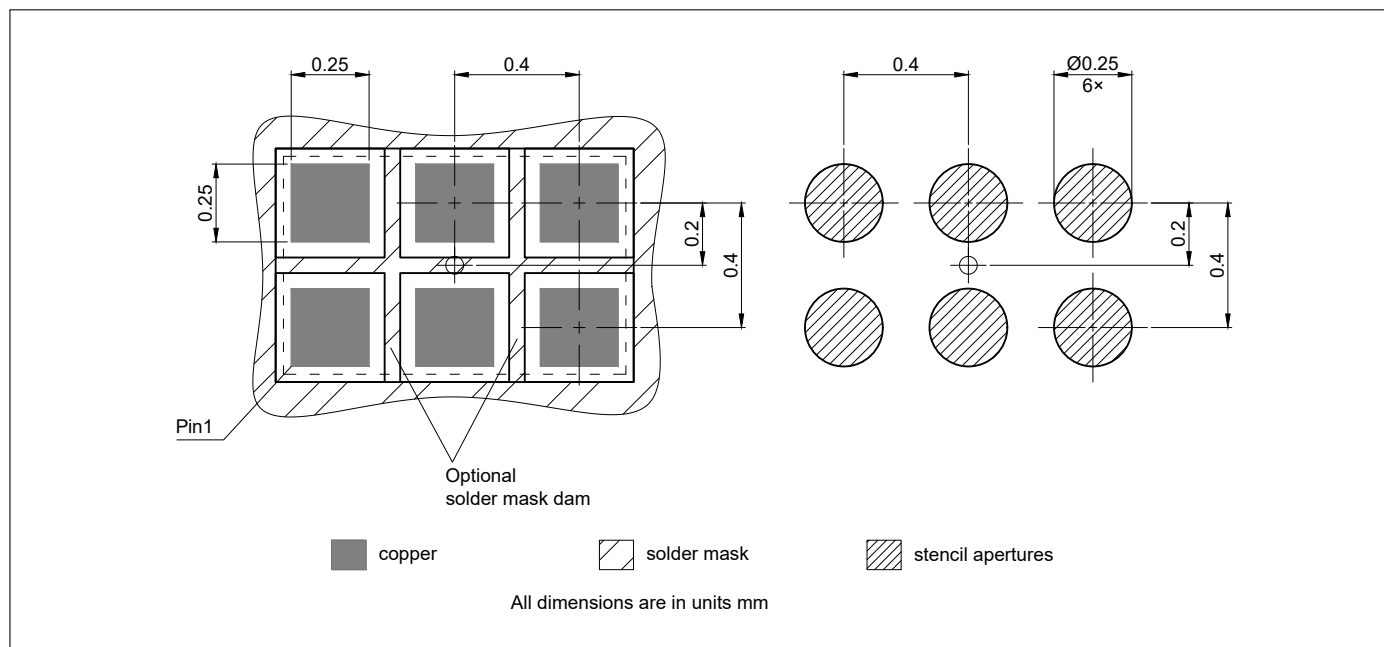
## Highband High Performance LNA with Power-Save-Mode

### Package Information

## 5 Package Information



**Figure 4:** PG-TSNP-6-10 Package Outline (0.7mm x 1.1mm x 0.37mm)

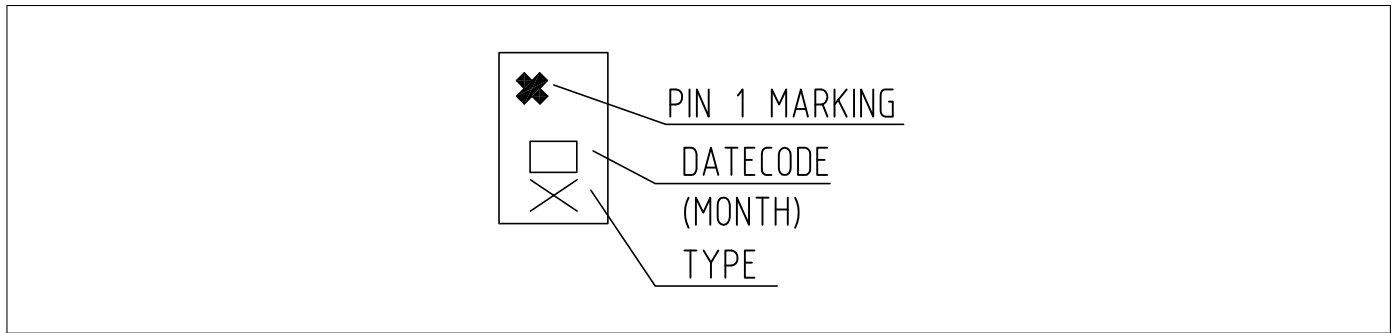


**Figure 5:** Footprint Recommendation

# BGA9H1BN6

## Highband High Performance LNA with Power-Save-Mode

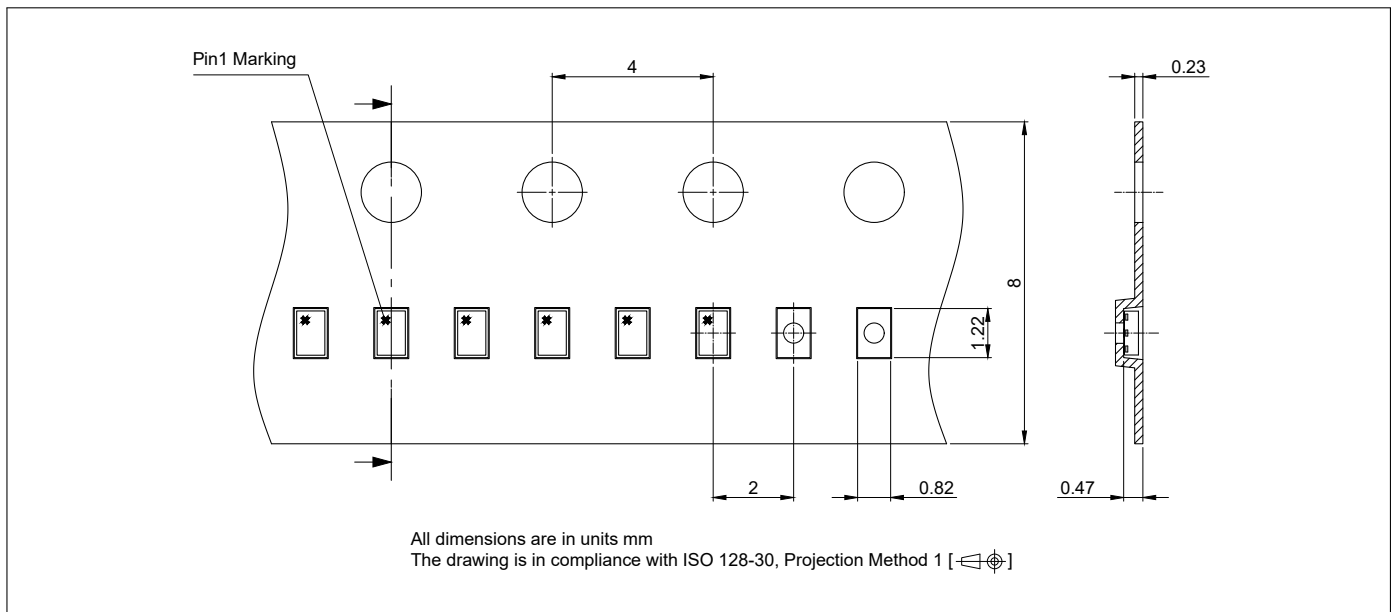
### Package Information



**Figure 6:** Marking Specification (top view)

**Table 8: Monthly Date Code Marking**

Month	2015	2016	2017	2018	2019	2020	2021	2022	2023	2024	2025	2026
1	a	p	A	P	a	p	A	P	a	p	A	P
2	b	q	B	Q	b	q	B	Q	b	q	B	Q
3	c	r	C	R	c	r	C	R	c	r	C	R
4	d	s	D	S	d	s	D	S	d	s	D	S
5	e	t	E	T	e	t	E	T	e	t	E	T
6	f	u	F	U	f	u	F	U	f	u	F	U
7	g	v	G	V	g	v	G	V	g	v	G	V
8	h	x	H	X	h	x	H	X	h	x	H	X
9	j	y	J	Y	j	y	J	Y	j	y	J	Y
10	k	z	K	Z	k	z	K	Z	k	z	K	Z
11	l	2	L	4	l	2	L	4	l	2	L	4
12	n	3	N	5	n	3	N	5	n	3	N	5



**Figure 7:** PG-TSNP-6-10 Carrier Tape

# BGA9H1BN6

## Highband High Performance LNA with Power-Save-Mode

---



---

### Revision History

Page or Item	Subjects (major changes since previous revision)
--------------	--

#### Revision 2.1, 2023-12-20

4	Values for control input voltage added
---	--

## Trademarks

All referenced product or service names and trademarks are the property of their respective owners.

**Edition 2023-12-20**

**Published by**

**Infineon Technologies AG**

**81726 Munich, Germany**

**© 2023 Infineon Technologies AG.**

**All Rights Reserved.**

**Do you have a question about any aspect of this document?**

**Email: [erratum@infineon.com](mailto:erratum@infineon.com)**

**Document reference**

**Doc\_Number**

## IMPORTANT NOTICE

The information given in this document shall in no event be regarded as a guarantee of conditions or characteristics ("Beschaffheitsgarantie"). With respect to any examples, hints or any typical values stated herein and/or any information regarding the application of the product, Infineon Technologies hereby disclaims any and all warranties and liabilities of any kind, including without limitation warranties of non-infringement of intellectual property rights of any third party. In addition, any information given in this document is subject to customer's compliance with its obligations stated in this document and any applicable legal requirements, norms and standards concerning customer's products and any use of the product of Infineon Technologies in customer's applications. The data contained in this document is exclusively intended for technically trained staff. It is the responsibility of customer's technical departments to evaluate the suitability of the product for the intended application and the completeness of the product information given in this document with respect to such application.

For further information on technology, delivery terms and conditions and prices, please contact the nearest Infineon Technologies Office ([www.infineon.com](http://www.infineon.com)).

## WARNINGS

Due to technical requirements products may contain dangerous substances. For information on the types in question please contact your nearest Infineon Technologies office.

Except as otherwise explicitly approved by Infineon Technologies in a written document signed by authorized representatives of Infineon Technologies, Infineon Technologies products may not be used in any applications where a failure of the product or any consequences of the use thereof can reasonably be expected to result in personal injury.

# Mouser Electronics

Authorized Distributor

Click to View Pricing, Inventory, Delivery & Lifecycle Information:

[Infineon:](#)

[BGA9H1BN6E6327XTSA1](#)