

623-0195-08 Specification

► Mechanical

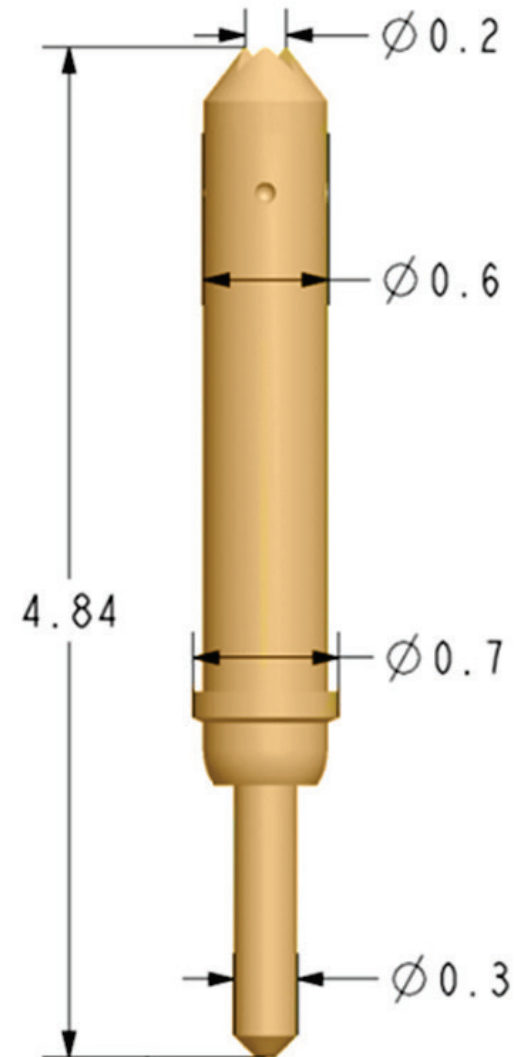
- ▶ Typical Application: BGA
- ▶ Pitch Range (minimum): 0.8 mm
- ▶ Work Force: 33.4 gf @ 0.8 mm travel
- ▶ Recommended Travel: 0.8 mm
- ▶ Temperature: -55 ~ 120°C
- ▶ Tip Device Side: 4 pt. crown
- ▶ Tip PCB Side: Cone

► Electrical

- ▶ Self Inductance: 0.86 nH
- ▶ Mutual Capacitance: 0.62 pF
- ▶ Bandwidth @ -1 dB: 10 GHz
- ▶ Contact Resistance: < 50 mΩ
- ▶ Current Carrying Capability: 3.0 A

► Plating

- ▶ Plunger Top: Gold plated
- ▶ Plunger Bottom: Gold plated
- ▶ Barrel: Gold plated
- ▶ Spring: Gold plated



Mouser Electronics

Authorized Distributor

Click to View Pricing, Inventory, Delivery & Lifecycle Information:

[Smiths Interconnect:](#)

[623-0195-08](#)