

# Data Sheet



Helping Engineer the Technology of Power

**ICE Components, Inc.**

Tel 678-560-9172 Fax 678-560-9304

cust.serv@icecomp.com

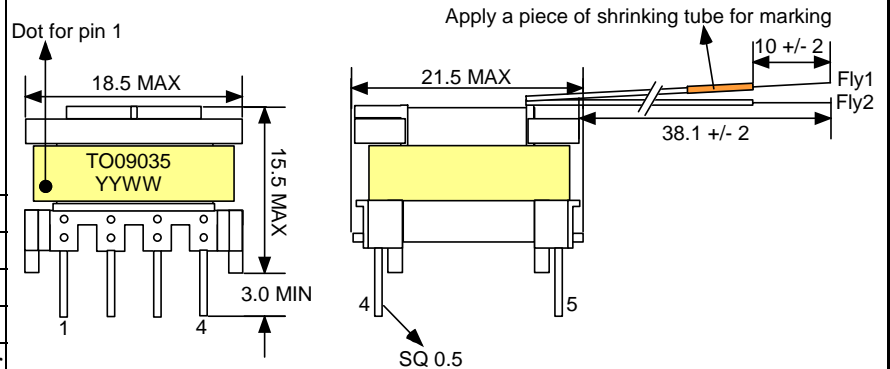
www.icecomponents.com

1165 Allgood Rd., Ste. #20, Marietta, GA 30062

## General Information

<b>Customer</b>	
<b>Part Number</b>	TO09035
<b>Revision</b>	0
<b>Description</b>	8W Flyback Transformer
<b>Date</b>	NOV-10-2010
<b>Reference</b>	OPP10769
<b>Doc Control #</b>	1011-958P
<b>Issue(For ICE use only)</b>	--

## Mechanical Drawing



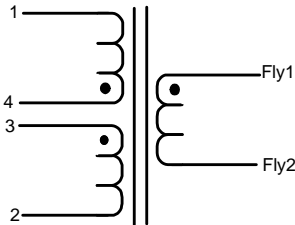
unit:mm

## Specification

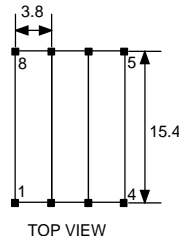
## Sample Test Data

Item	Pins	Spec	Test Condition										
Inductance (HP-4284A)	4 - 1	1.8 mH +/- 5%	100kHz, 1Vrms, series										
Leakage Inductance	4 - 1 short (2,3, Fly1, Fly2)	20 uH max	100kHz, 1Vrms, series										
DCR	4 - 1	1.8 Ohms max	25 deg C										
	3 - 2	0.3 Ohms max											
	Fly1 - Fly2	0.2 Ohms max											
Voltage Ratio & Phasing Test	4 - 1	1050 mV +/- 3 mV	10 kHz, i/p: 3 - Fly2 = 1380 mV, short (2 - 4, 1 - Fly1)										
	3 - 2	130 mV +/- 3 mV											
	Fly1 - Fly2	200 mV +/- 3 mV											
Hi - Pot	(1,2,3,4) - (Fly1, Fly2)		3000 Vac, 60Hz, 1 mA, 1 minute										
	Winding - Core		1500 Vac, 60Hz, 1 mA, 1 minute										

## Schematic



## Footprint



unit:mm

## Remark

1) This is RoHS compliant product.

Sample approval is required before release to production. Sample specifications take precedence over customer specifications.

Rev.	Description	PRD	CHK	APP	Date	NTFY
0	Initial release	Emily	Joe	L. L. Chou	2010/11/10	2010/11/0

Customer Signature

# Mouser Electronics

Authorized Distributor

Click to View Pricing, Inventory, Delivery & Lifecycle Information:

[ICE Components:](#)

[TO09035](#)