

NOTES
 1 - UNIT INCLUDES 2X CATALOG LISTING V3-201 BASIC SWITCHES
 2 NUMERICAL SWITCH IDENTIFICATION MARKED ON BASIC SWITCHES NEXT TO COMMON TERMINAL

CONTACT ARRANGEMENT
 2X S P D T

15A-1/3 HP-125 OR 250 VAC
 1/2A-125 VDC; 1/4A-250 VDC

THIS DRAWING COVERS A PROPRIETARY ITEM AND IS THE PROPERTY OF MICRO SWITCH, A DIVISION OF HONEYWELL. THIS DRAWING IS NOT TO BE COPIED OR USED WITHOUT THE APPROVAL OF MICRO SWITCH.

MICRO SWITCH
 a Honeywell Division

**ASSEMBLY-
 TOGGLE SWITCH**

CATALOG LISTING

111AT2

THIRD ANGLE PROJECTION



SCALE

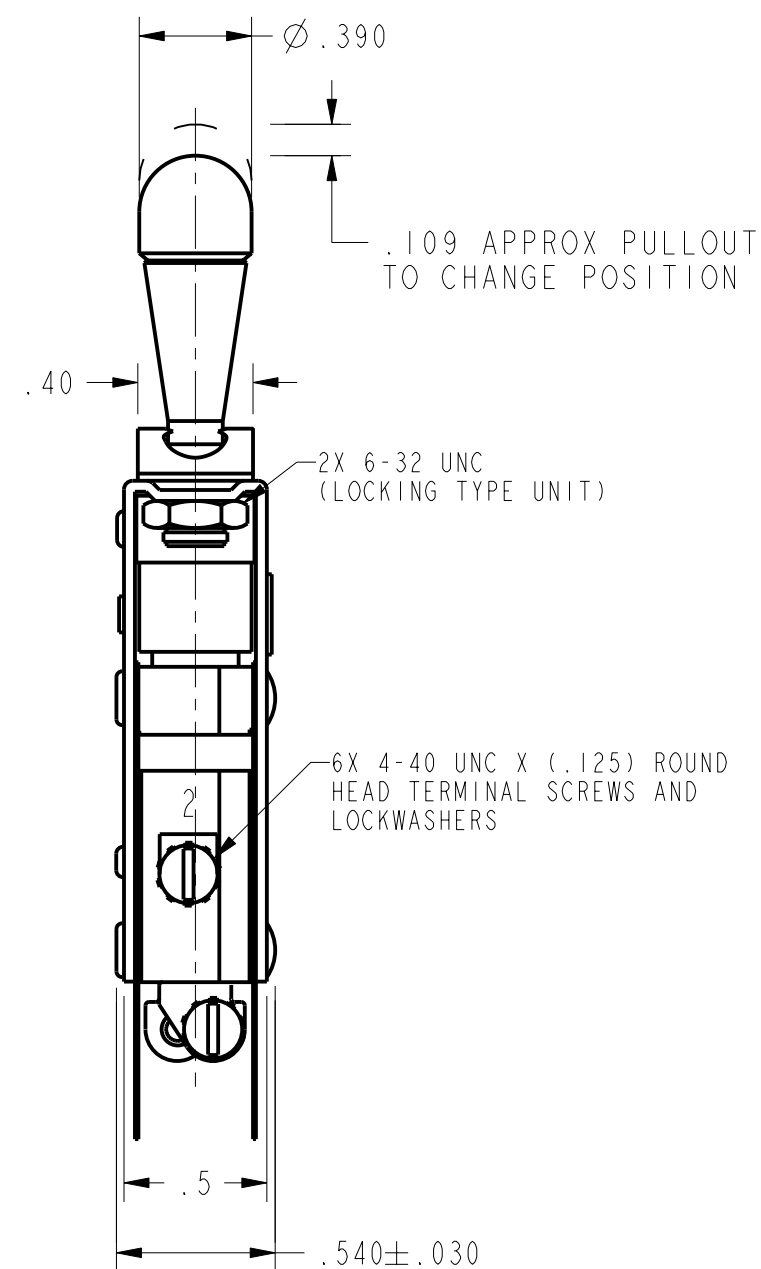
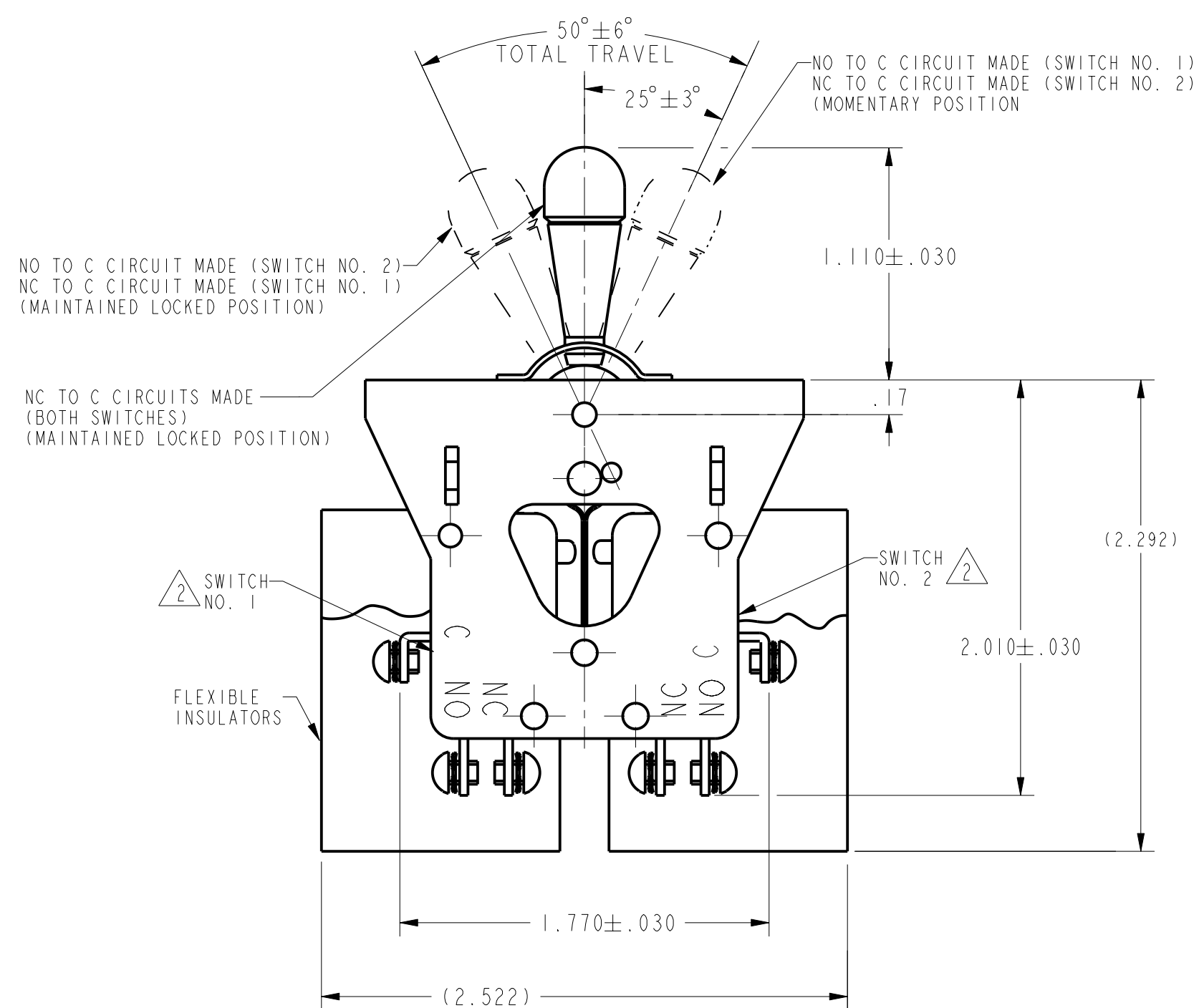
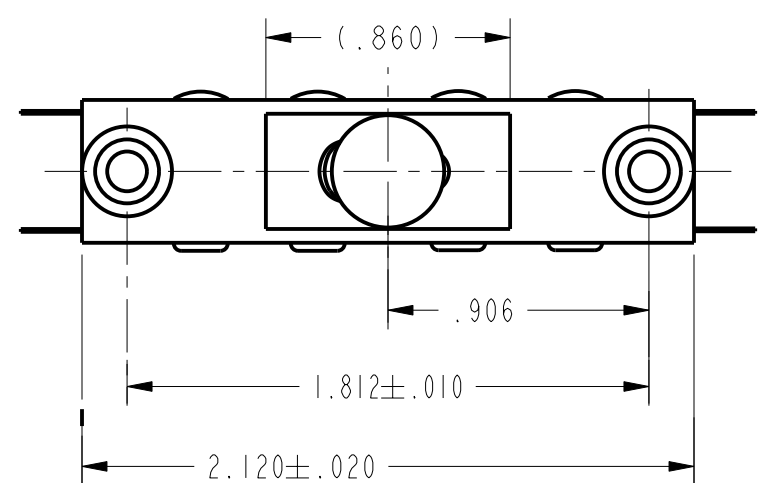
DO NOT SCALE PRINT

UNLESS OTHERWISE SPECIFIED TOLERANCES ARE

ONE PLACE	(.0)	±.030
TWO PLACES	(.00)	±.015
THREE PLACES	(.000)	±.005
ANGLES		±

WEIGHT

P.T.C./CAD [20] DRAWN [] CHECK [] SAV []
 D.L.T. 30 MAY 02
 REVISIONS
 A 205733
 30 MAY 02
 ISSUE 7
 DRAWING NUMBER
 M
 RELEASE NO. SR-5657
 PAGE 1 OF 1
 SKETCH 13059
 REPLACES



NOTES
 1 - UNIT INCLUDES 2X CATALOG LISTING V3-201 BASIC SWITCHES
 2 - NUMERICAL SWITCH IDENTIFICATION MARKED ON BASIC SWITCHES NEXT TO COMMON TERMINAL

CONTACT ARRANGEMENT
 2X S P D T

15A-1/3 HP-125 OR 250 VAC
 1/2A-125 VDC; 1/4A-250 VDC

ANSI Y14.5M-1982 APPLIES

THIS DRAWING COVERS A PROPRIETARY ITEM AND IS THE PROPERTY OF MICRO SWITCH, A DIVISION OF HONEYWELL. THIS DRAWING IS NOT TO BE COPIED OR USED WITHOUT THE APPROVAL OF MICRO SWITCH.

MICRO SWITCH
 a Honeywell Division

**ASSEMBLY-
 TOGGLE SWITCH**

CATALOG LISTING

111AT2

THIRD ANGLE PROJECTION



SCALE

DO NOT SCALE PRINT

UNLESS OTHERWISE SPECIFIED TOLERANCES ARE

ONE PLACE	(.0)	±.030
TWO PLACES	(.00)	±.015
THREE PLACES	(.000)	±.005
ANGLES		±

WEIGHT

P.T.C./CAD [20] DRAWN [] CHECK [] SAV []
 D.L.T. 30 MAY 02
 ISSUE 7
 DRAWING NUMBER
 M
 111AT2
 SKETCH 13059
 RELEASE NO. SR-5657
 REPLACES

Mouser Electronics

Authorized Distributor

Click to View Pricing, Inventory, Delivery & Lifecycle Information:

[Honeywell:](#)

[111AT2](#)