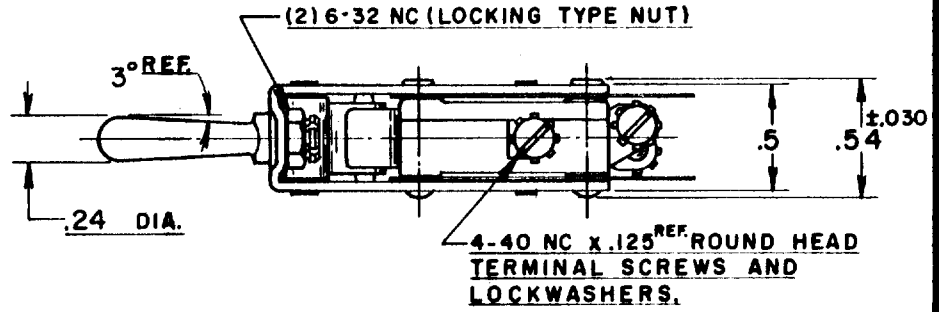
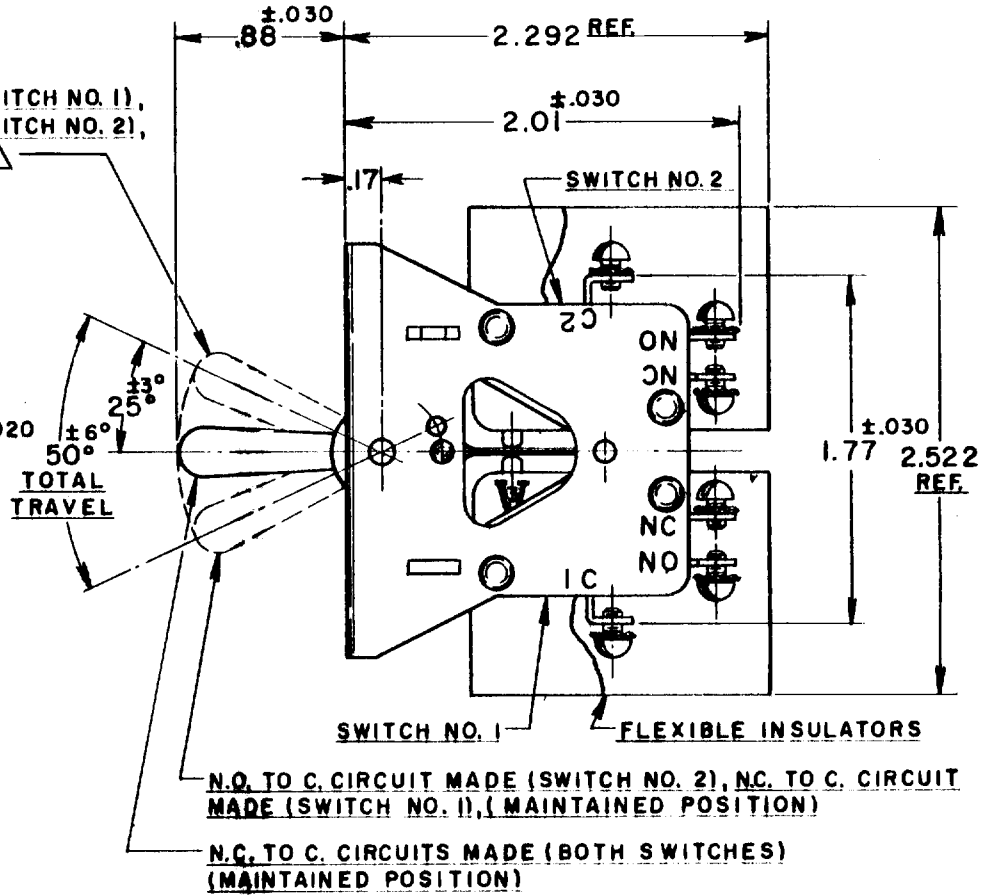
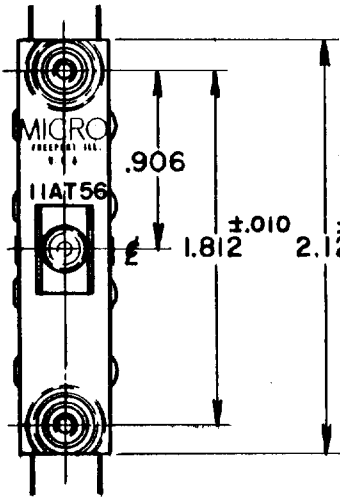


CATALOG LISTING  
 11AT56  
 PAGE 1 OF 1  
 ISSUE 7  
 M  
 REVISIONS  
 A SR9255  
 L M H  
 28 SEP 60  
 B CO16594  
 D W V  
 3 JAN 62  
 C CO17248  
 M B F  
 23 AUG 62  
 D CO-58771  
 KAG  
 FEB 66  
 E CO59602  
 KAG  
 AUG-66  
 F CO84854  
 J A K  
 13 AUG 97  
 CHECK FAS 28 SEP 60  
 CHECK W R D 11 AUG 60  
 CHECK G C H 28 SEP 60  
 CHECK L S D 11 AUG 60  
 REPLACES RELEASE NO. SR 9255  
 FORMTEK DRAWN



N.O. TO C. CIRCUIT MADE (SWITCH NO. 1),  
 N.C. TO C. CIRCUIT MADE (SWITCH NO. 2),  
 (MOMENTARY POSITION) 3



**NOTES**

- 1-UNIT INCLUDES (2) CAT. LIST. V3-1 BASIC SWITCHES
  - 2-SAME AS 11AT50 EXCEPT WITH THE BASIC SWITCH NO. (.156 ±.030 HIGH) MARKED ON SIDE OF BRACKET
- 3 TOGGLE LEVER WILL NOT PASS THROUGH CENTER POSITION WHEN SNAP RELEASED

THIS DRAWING COVERS A PROPRIETARY ITEM AND IS THE PROPERTY OF MICRO SWITCH, A DIVISION OF MINNEAPOLIS-HONEYWELL REGULATOR CO. THIS DRAWING IS NOT TO BE COPIED OR USED WITHOUT THE APPROVAL OF MICRO SWITCH.

**CHARACTERISTICS**

OPERATING FORCE — — — — 2-4 LB  
 TO REMOVE FROM DETENT POSITION

**ELECTRICAL DATA**

CONTACT ARRANGEMENT  
 S P D T (2)

BREAK DISTANCE  
 .040 APPROX

© 15 A - 1/3 HP - 125 OR 250 VAC  
 1/2 A - 125 VDC; 1/4 A - 250 VDC

**SCALE FULL**

DO NOT SCALE PRINT

UNLESS OTHERWISE  
 SPECIFIED  
 DIMENSIONS ARE IN INCHES  
**TOLERANCES ARE:**  
 ONE PLACE (.0) ±.030  
 TWO PLACE (.00) ±.018  
 THREE PLACE (.000) ±.008  
 ANGLES ±

WEIGHT .145 LB

# Mouser Electronics

Authorized Distributor

Click to View Pricing, Inventory, Delivery & Lifecycle Information:

[Honeywell:](#)

[11AT56](#)