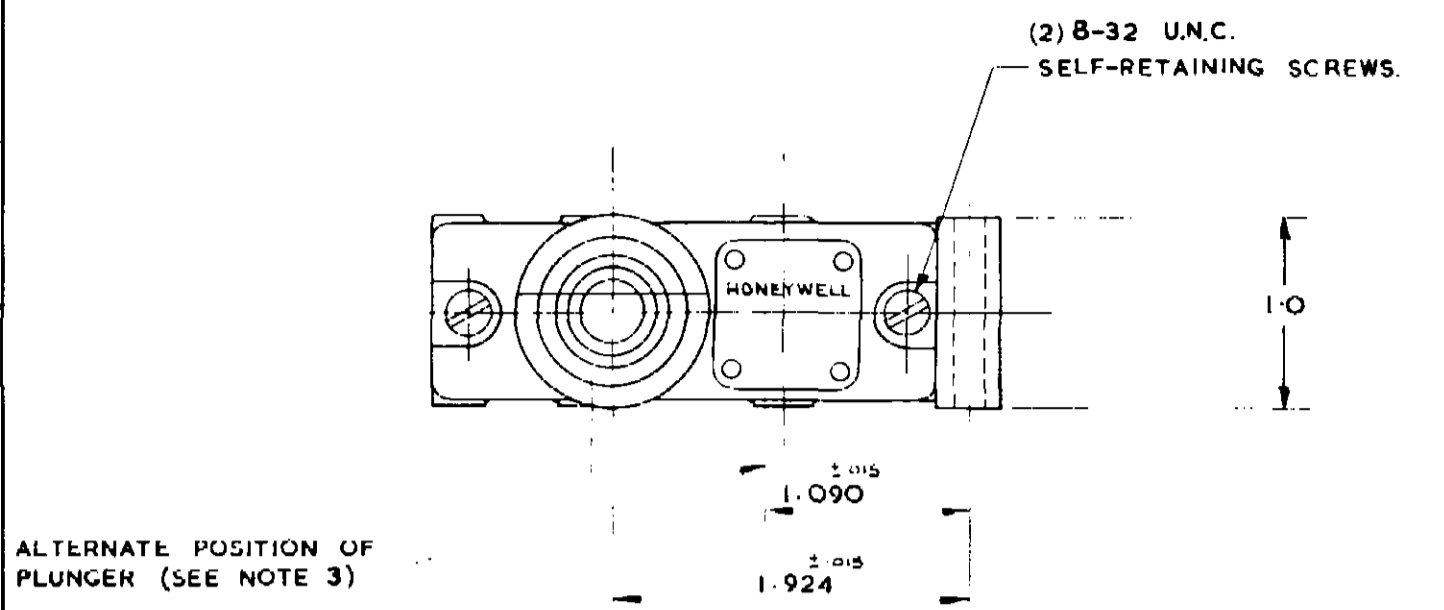
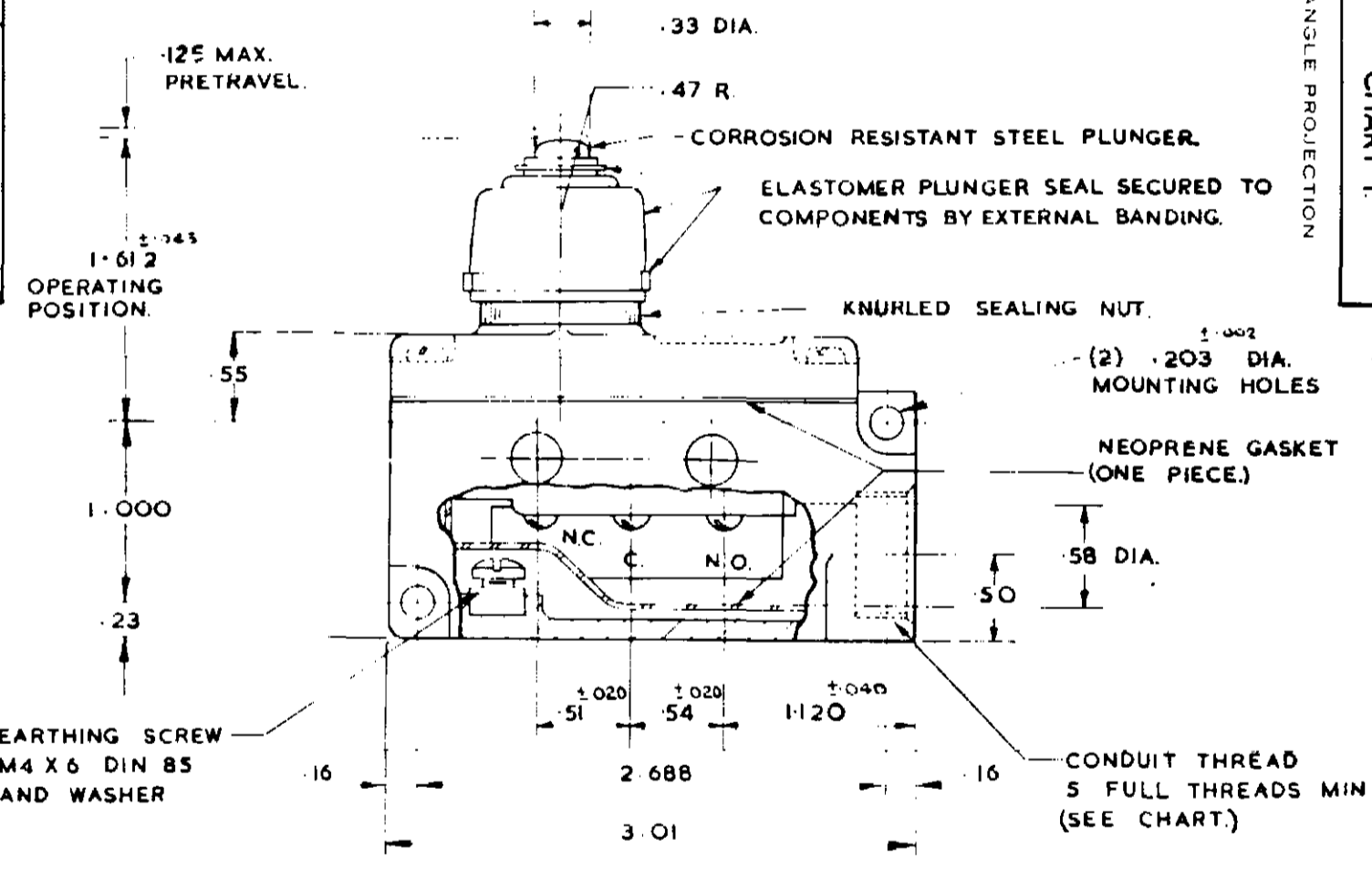


CHARACTERISTICS OPERATING PRESSURE: 16-49 OZ. RELEASE FORCE: 10 OZ. MIN. DIFFERENTIAL TRAVEL: .070 MAX. OVERTRAVEL: .125 MIN. SWITCH BASIC REPLACEMENT: DTE7-2RN-A7M4	ELECTRICAL DATA O.P.D.: .020 MIN. .04-.125 CR 250 VAC .034-.125 VDC; .015 A-250 VDC	SCALE 1:1 UNLESS OTHERWISE SPECIFIED DIMENSIONS ARE IN INCHES TOLERANCES ARE: FRACTIONS ± .005 DECIMALS ± .002 ANGLES ± .002 ALL DIMS. IN INCHES
---	---	---

HONEYWELL CONTROLS LTD., GREENFORD, MIDDLESEX & NEWHOUSE, LANARKSHIRE



ALTERNATE POSITION OF PLUNGER (SEE NOTE 3)



- NOTE.
- 1- ALUMINIUM ENCLOSURE FINISHED WITH GRAY PAINT.
 - 2- 4-40 NC X.125 REF TERMINAL SCREWS AND WASHERS.
 - 3- COVER, PLUNGER AND BASIC SWITCH MAY BE REMOVED AS A UNIT AND MOUNTED OPPOSITE HAND TO THAT SHOWN

CATALOGUE LISTING	Issue No.	CONDUIT THREAD	REMARKS.
DTE7-2RN34-C	1	20mm TO BS4568	SILICONE RUBBER PLUNGER SEAL
DTE7 - 2RN - C	1	20 MM. TO BS. 4568	
DTE7 - 2RN - PG.	1	PG 13, 5.	
DTE7-2RN-PG11	1	PG. 11	

Mouser Electronics

Authorized Distributor

Click to View Pricing, Inventory, Delivery & Lifecycle Information:

[Honeywell:](#)

[DTE7-2RN-PG](#)