

MICRO SWITCH

FREPORT ILL NOIS U S A
A DIVISION OF HONEYWELL

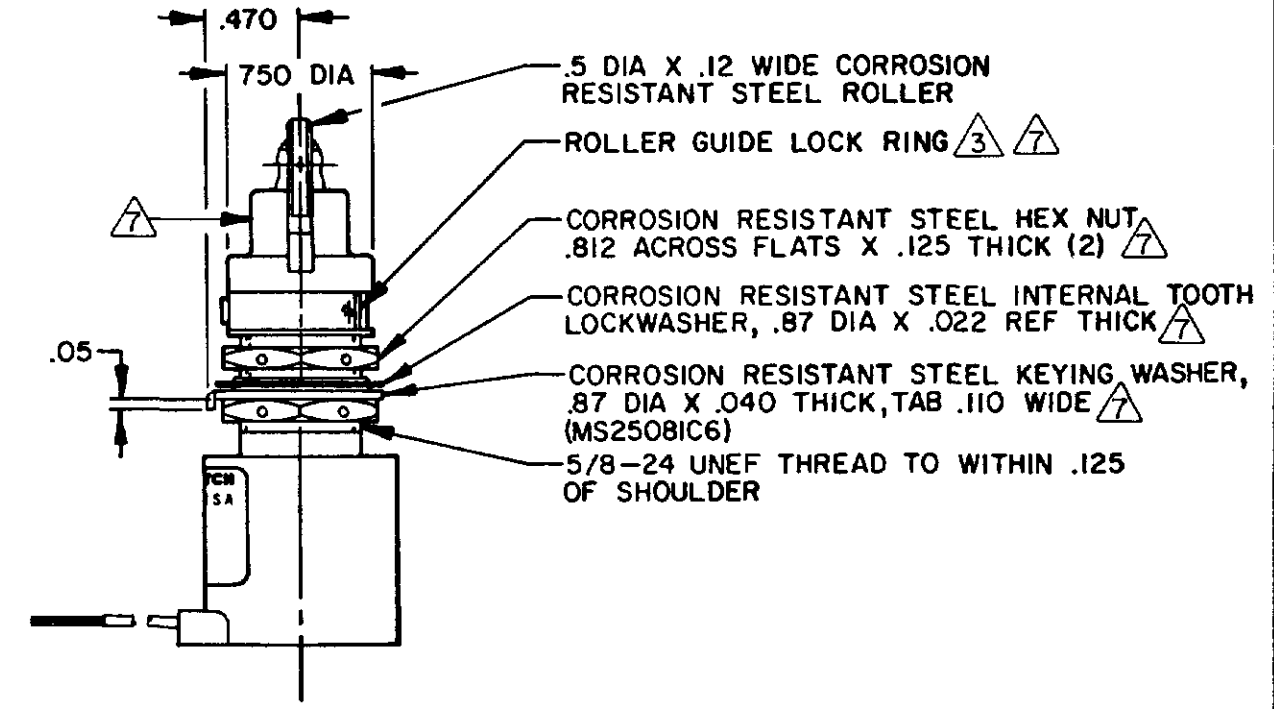
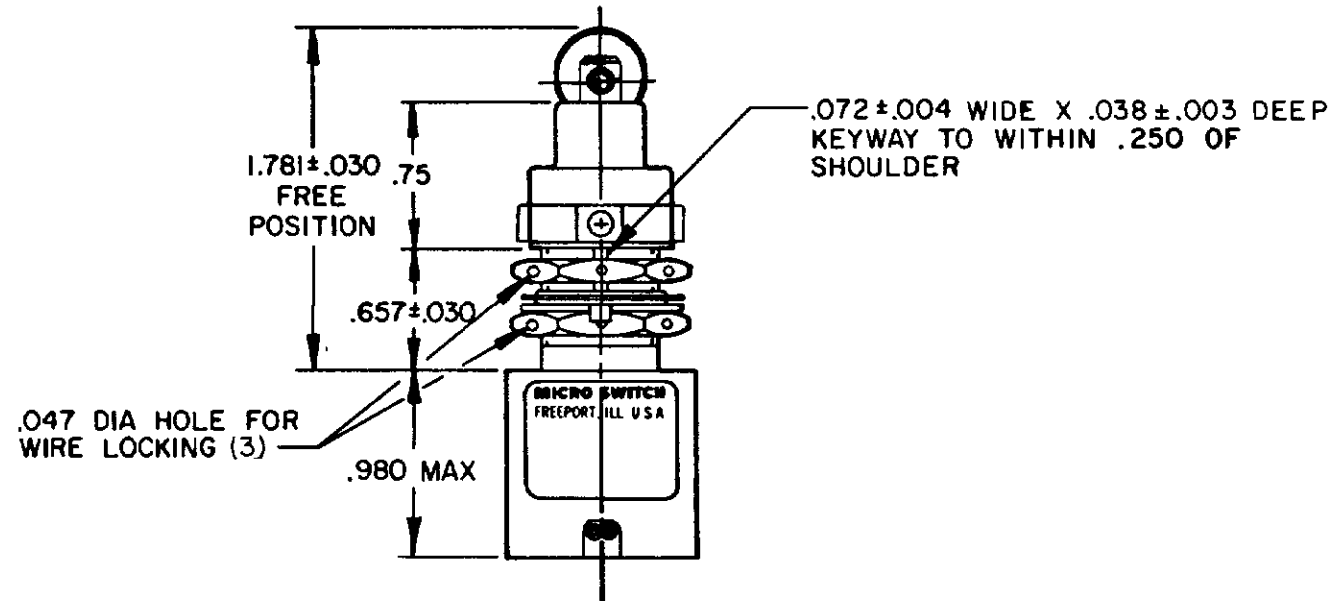
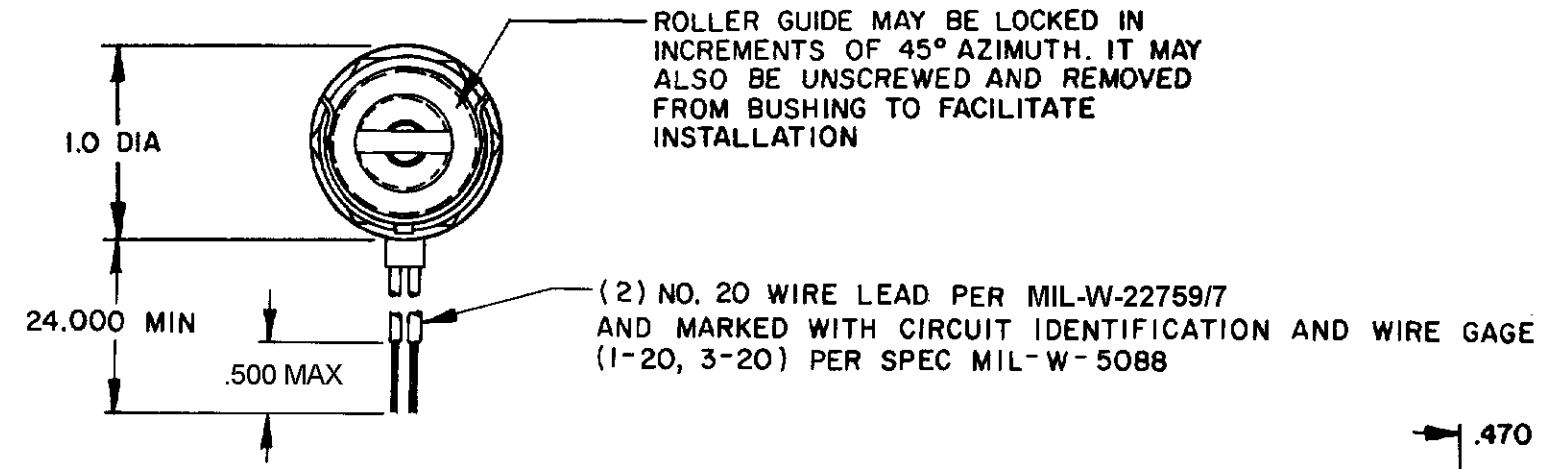
FED MFG CODE 91929

SWITCH - ENCLOSED

CATALOG LISTING
121EN93-2



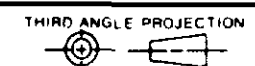
CIRCUIT DIAGRAM



- NOTES**
- 1 - CORROSION RESISTANT STEEL ENCLOSURE
 - 2 - SWITCH SEALED PER MIL-PRF-8805 SYMBOL 4
 - ③ TO ADJUST ROLLER DIRECTION REMOVE ROLLER GUIDE LOCK RING, SCREW ROLLER GUIDE DOWN AS FAR AS POSSIBLE, THEN UNSCREW TO DESIRED DIRECTION. SECURE BY REPLACING ROLLER GUIDE LOCK RING
 - 4 - NOTED ELECTRICAL RATINGS APPLY AS SPECIFIED IN MIL-PRF-8805/43 UP TO 185°F
 - 5 - CIRCUIT DIAGRAM, CATALOG LISTING, AND DATE CODE ARE SHOWN ON NAMEPLATE
 - 6 - REPLACEMENT LOCK RING - PACKET 15PA137
 - ⑦ - HARDWARE MAY BE PACKAGED UNASSEMBLED PER MIL-PRF-8805

CATALOG LISTING
121EN93-2
 PAGE 1 OF 1
M
 DRAWING NUMBER
 ISSUE **20**
 REVISIONS
 A CO44351
 12 FEB 80
 B CO47573
 PART 4
 14 AUG 80
 C CO 57370
 14 MAY 85
 D CO 67176
 20 APR 90
 E CO74101
 30 JAN 93
 F CO 77804
 16 MAY 94
 G 201514
 CSL
 24 OCT 00
 H 0006608
 KR
 21 JUL 04
 RASTER
 FO-52851-A
 DRAWN
 WJM
 12 FEB 80
 CHECK
 CEB
 14 FEB 80
 CHECK
 AK
 21 JUL 04
 CHECK
 SR-10642
 REPLACES

THIS DRAWING COVERS A PROPRIETARY ITEM AND IS THE PROPERTY OF MICRO SWITCH, A DIVISION OF HONEYWELL. THIS DRAWING IS NOT TO BE COPIED OR USED WITHOUT THE APPROVAL OF MICRO SWITCH



SCALE FULL

CHARACTERISTICS

OPERATING FORCE	6-12 LB
FULL OVERTRAVEL FORCE	30 LB MAX
RELEASE FORCE	4 LB MIN
PRETRAVEL	.040 MAX
DIFFERENTIAL TRAVEL	.020 MAX
OVERTRAVEL	.250 MIN

ELECTRICAL DATA

CONTACT ARRANGEMENT	
SPDT (2)	
28 VDC	
LOAD	SEA LEVEL 50,000 FT.
RES	4 4
IND	2 2
MOTOR	4
LAMP	

DO NOT SCALE PRINT

TOLERANCES
APPLY TO DESIGN UNITS CONVERSIONS ARE ONLY FOR REFERENCE UNLESS NOTED TOLERANCES ARE ±

NO PLACES	DM	TOL	DM	TOL
	mm	mm/in	in	mm/m
ONE PLACE	X	1/04	X	0.0750
TWO PLACES	X X	0.0750	X X	0.00750
THREE PLACES	X X X	0.15/008	X X X	0.00750
ANGLES				

DESIGN UNITS METRIC US CUSTOMARY

RAW MATERIAL - COMMERCIAL STANDARD
MICRO SWITCH STANDARDS APPLY
DIMENSIONS ARE TO BE MET BEFORE
PROTECTIVE COATINGS ARE APPLIED

WEIGHT 4.7 OZ MAX

Mouser Electronics

Authorized Distributor

Click to View Pricing, Inventory, Delivery & Lifecycle Information:

[Honeywell:](#)

[121EN93-2](#)