

MICRO SWITCH

FREEPORT ILLINOIS, U.S.A
A DIVISION OF HONEYWELL
FED. MFG. CODE 91829

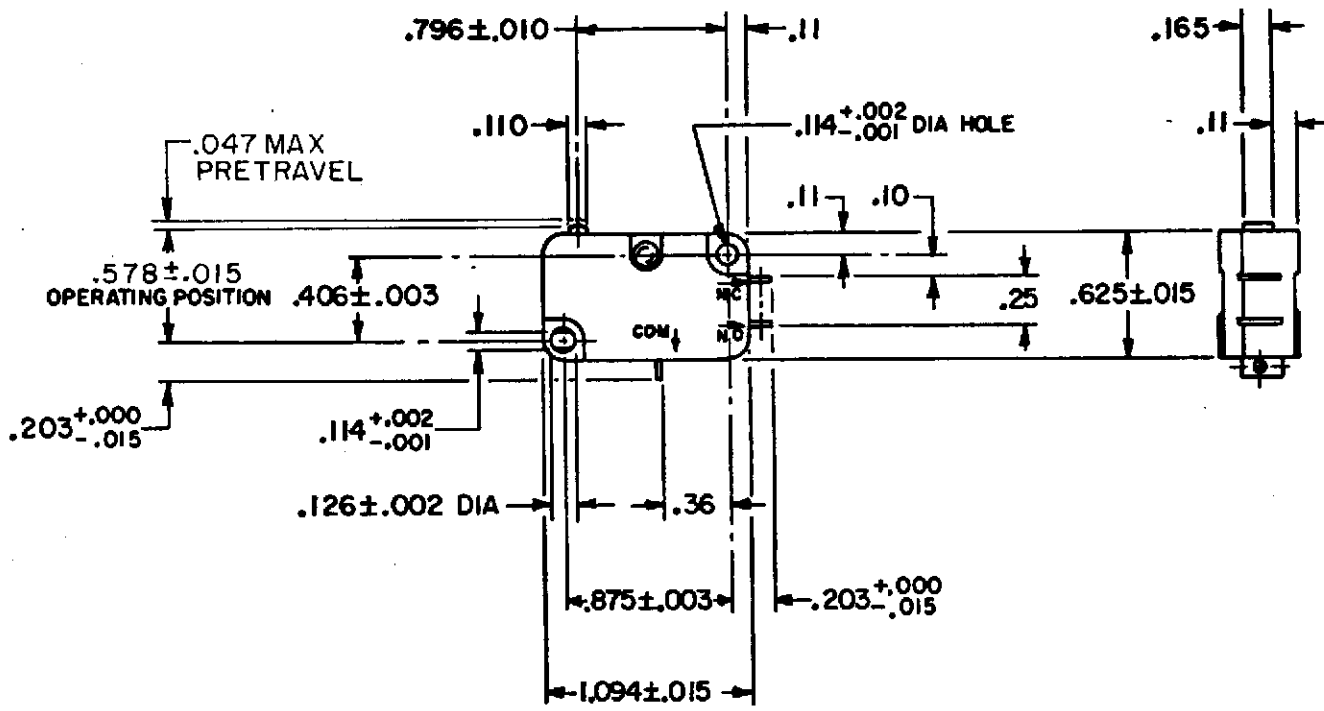
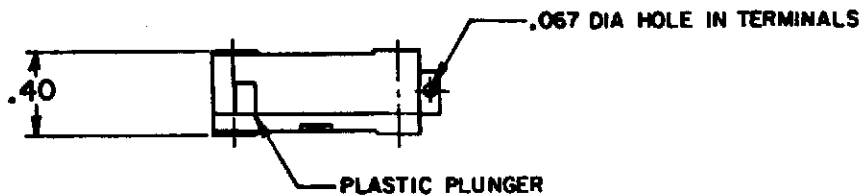
SWITCH - BASIC

CATALOG LISTING

V3-1078

CK-L7800

V3-1078
 PAGE 1 OF 1
 M
 DRAWING NUMBER
 ISSUE 7
 REVISIONS
 A PR10089 04 JUN 04
 TSK 13 APR 81
 CO 58921
 SMA 29 SEPT 88
 C CO76103
 L J F 5 OCT 93
 D CO 77116
 DCS 18 APR 94
 E CO-93311
 TSM 15 OCT 98
 D 0005782
 R J 04 JUN 04
 FORMTEK
 DRAWN
 TSK 13 APR 81 CHECKED BY A ANDREW
 CHECK AK
 RELEASE NO. PR 10089
 REPLACES

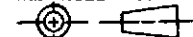


NOTES

- 1 - TERMINALS ARE PLATED FOR SOLDERING
- 2 - IN INSPECTION, DO NOT BURN OUT - GOLD CONTACTS
- 3 - IN INSPECTION, DO NOT EXCEED 10 VDC, .1A RESISTIVE LOAD
- 4 - INSPECT SWITCH RESISTANCE PER CONTROL PLAN

THIS DRAWING COVERS A PROPRIETARY ITEM AND IS THE PROPERTY OF MICRO SWITCH, A DIVISION OF HONEYWELL. THIS DRAWING IS NOT TO BE COPIED OR USED WITHOUT THE APPROVAL OF MICRO SWITCH.

THIRD ANGLE PROJECTION



CHARACTERISTICS

OPERATING FORCE - - - - - 6-14 OZ
 RELEASE TRAVEL - - - - - .007 MIN
 RELEASE FORCE - - - - - 4 OZ MIN
 DIFFERENTIAL TRAVEL - - - .006 - .016
 OVERTRAVEL .040 MIN
 FREE POSITION - - - - - .625 MAX

ELECTRICAL DATA

CONTACT ARRANGEMENT
S P D T

L22
1A-125 VAC



SCALE FULL

DO NOT SCALE PRINT

TOLERANCES
APPLY TO DESIGN UNITS. CONVERSIONS ARE ONLY FOR REFERENCE. UNLESS NOTED, TOLERANCES ARE ±

| | DIM. mm | TOL. mm/in | DIM. in | TOL. mm/in |
|--------------|------------|---------------|------------|---------------|
| NO PLACES | X | ±.04 | X.2 | 0.0100 |
| ONE PLACE | X.2 | 0.4/0.18 | X.2 | 0.38/0.18 |
| TWO PLACES | X.22 | 0.16/0.08 | X.22 | 0.12/0.08 |
| THREE PLACES | X.222 | X.222 | X.222 | 0.12/0.08 |
| ANGLES | | | | |

DESIGN UNITS METRIC US CUSTOMARY

WEIGHT .015 LB

Mouser Electronics

Authorized Distributor

Click to View Pricing, Inventory, Delivery & Lifecycle Information:

[Honeywell:](#)

[V3-1078](#)