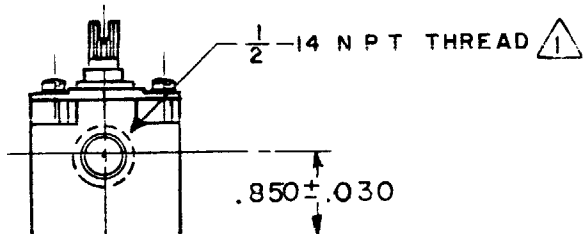
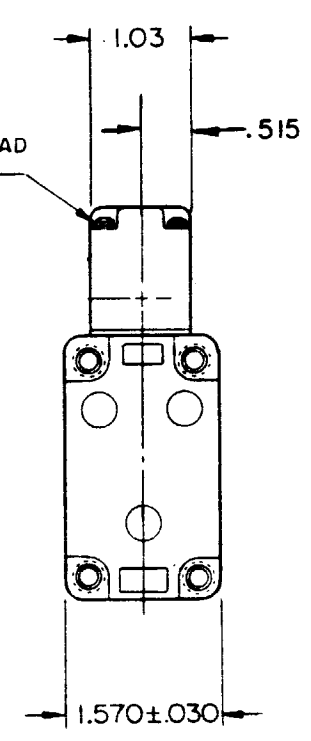
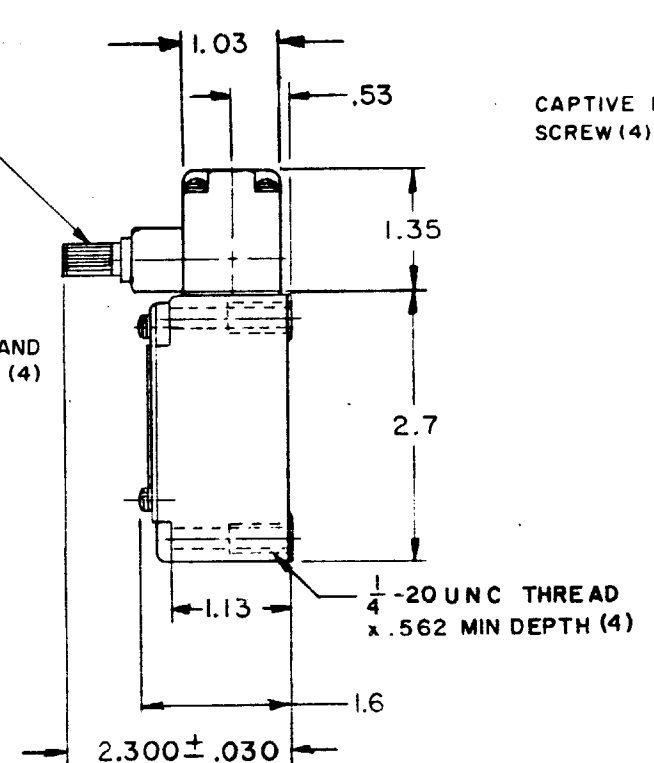
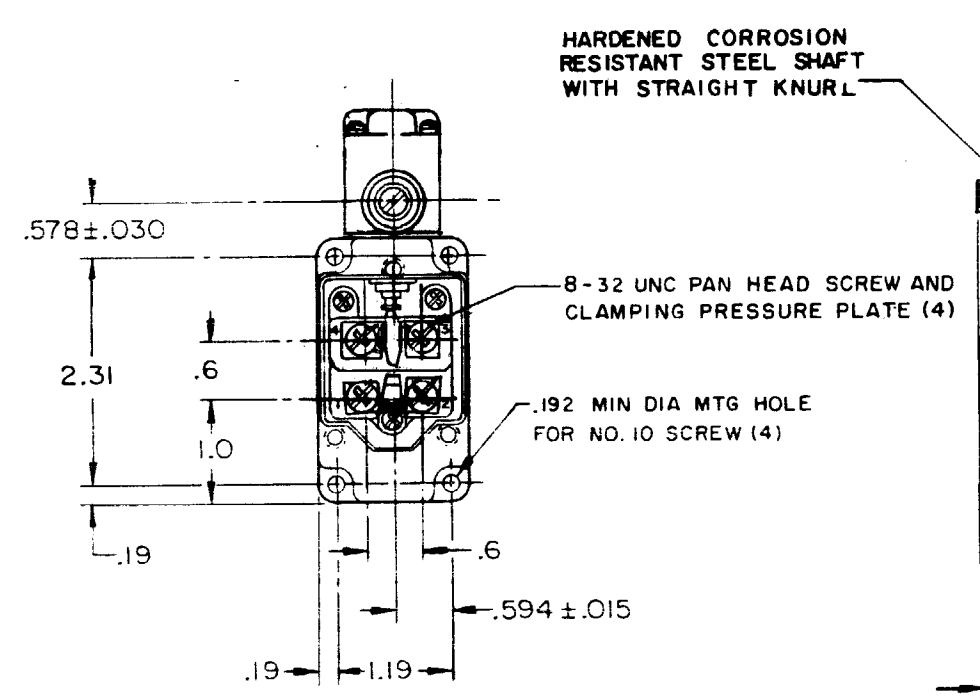
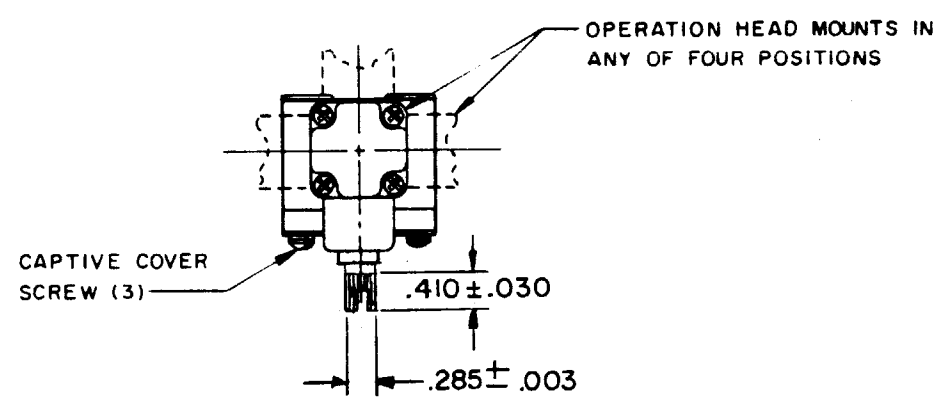
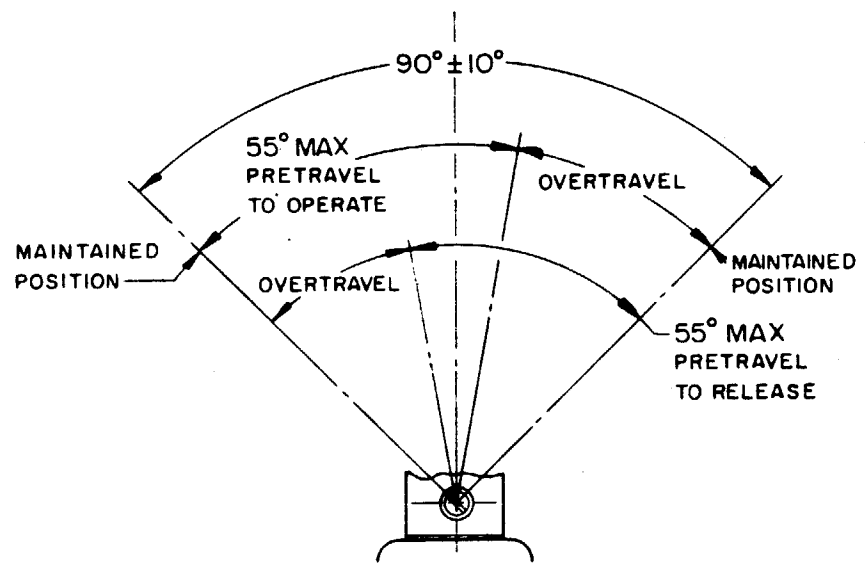
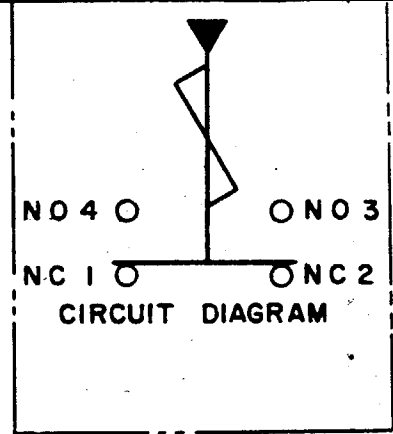


6LS2
 M
 DRAWING NUMBER
 ISSUE
 REVISIONS
 A CO15200 WEG 17 JUNE 65
 B CO23403 MBS 25 SEP 68
 C CO25248 MBS 13 JAN 69
 D CO25152 GCH 22 APR 69
 E CO-50952-6 CEC 22 JULY 83
 F CO-53005-D CJH 1 AUG 84
 G CO57786-B CJH 14 FEB 86
 H CO-65814-E GRT 26 NOV 90
 J CO-77031 JDB 22 NOV 93
 WEG 17 JUNE 65
 DRAWN
 FO-90378-003



NOTE -
 SEAL FURNISHED BY USER

THIS DRAWING COVERS A PROPRIETARY ITEM AND IS THE PROPERTY OF MICRO SWITCH, A DIVISION OF MINNEAPOLIS-HONEYWELL REGULATOR CO. THIS DRAWING IS NOT TO BE COPIED OR USED WITHOUT THE APPROVAL OF MICRO SWITCH.

CHARACTERISTICS	ELECTRICAL DATA	SCALE 1/2 TO 1
OPERATING TORQUE --- 3 IN LB MAX	CONTACT ARRANGEMENT (SEE CIRCUIT DIAGRAM)	DO NOT SCALE PRINT
	10A-120, 240, OR 480 VAC; 1/3 HP - 120 VAC 3/4 HP - 240 VAC; 0.8A - 115 VDC; 0.4A - 230 VDC .1A - 550 VDC PILOT DUTY: 600 VAC MAX	UNLESS OTHERWISE NOTED DIMENSIONS ARE IN INCHES TOLERANCES ARE: ONE PLACE (.0) ± .030 TWO PLACE (.00) ± .015 THREE PLACE (.000) ± .003 ANGLES ±
SWITCH-BASIC REPLACEMENT --- 2MNI		WEIGHT

Mouser Electronics

Authorized Distributor

Click to View Pricing, Inventory, Delivery & Lifecycle Information:

[Honeywell:](#)

[6LS2](#)