



MICRO SWITCH

FREEPORT, ILLINOIS, U.S.A.
A DIVISION OF HONEYWELL

FED. MFG. CODE 91929

SWITCH - BASIC

CATALOG LISTING

V3-115

CKB 1500

5

V3-115

M

DRAWING NUMBER

ISSUE

89

89

REPLACES

RELEASE NO.

CHECK

65

65

65

65

65

65

65

65

65

65

65

65

65

65

65

65

65

65

65

65

65

65

65

65

65

65

65

65

65

65

65

65

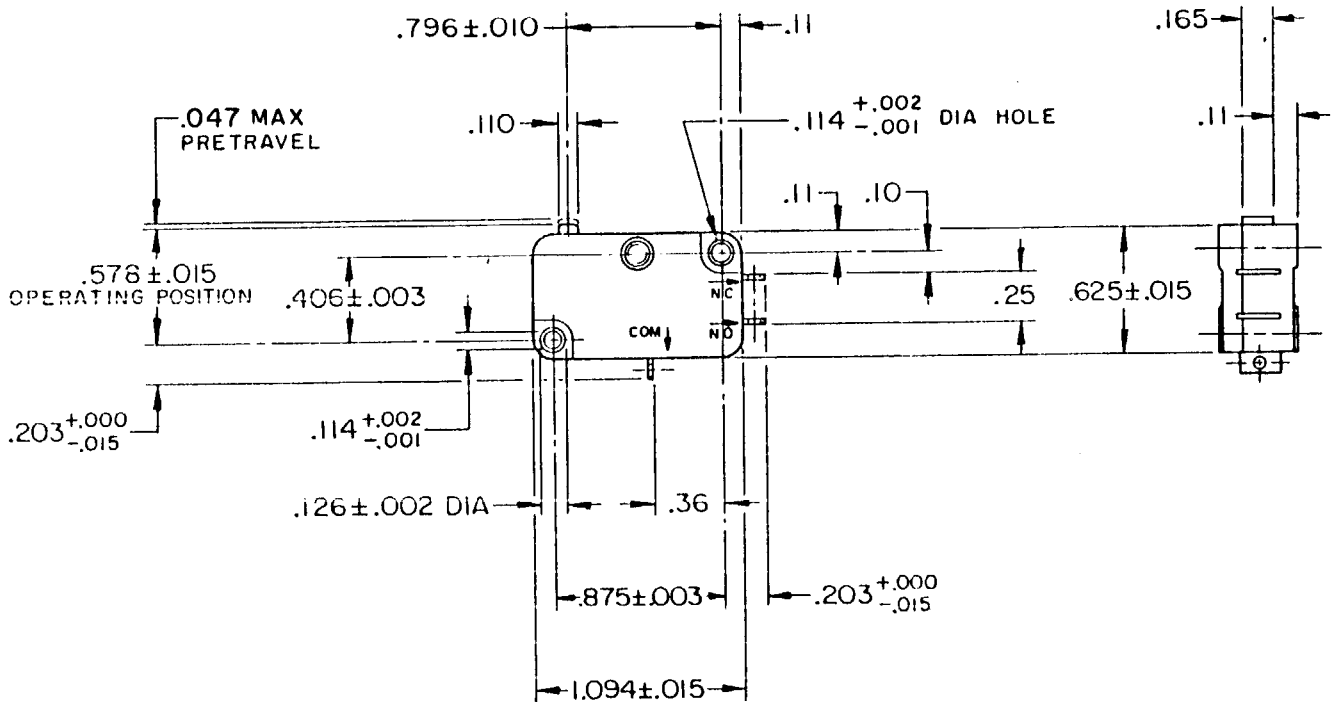
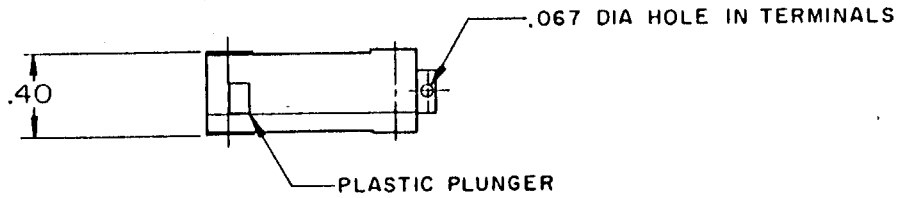
65

65

65

65

65



NOTE -
I - TERMINALS ARE PLATED FOR SOLDERING

THIS DRAWING COVERS A PROPRIETARY ITEM AND IS THE PROPERTY OF MICRO SWITCH, A DIVISION OF HONEYWELL. THIS DRAWING IS NOT TO BE COPIED OR USED WITHOUT THE APPROVAL OF MICRO SWITCH.

CHARACTERISTICS

OPERATING FORCE - - - - - 8 OZ MAX

RELEASE FORCE - - - - - 2 OZ MIN

DIFFERENTIAL TRAVEL - - - - -.006 - .016

OVERTRAVEL - - - - - .040 MIN

FREE POSITION - - - - - .625 MAX

RELEASE TRAVEL - - - - - .007 MIN

ELECTRICAL DATA

CONTACT ARRANGEMENT
S P D T

- L156 - 11A-1/3HP-125-250-277 VAC
1/2A-125 VDC; 1/4A-250 VDC
4A-125 VAC "L"



SCALE FULL

DO NOT SCALE PRINT

UNLESS OTHERWISE NOTED
DIMENSIONS ARE IN INCHES

TOLERANCES ARE:

ONE PLACE	(.0)	±.030
TWO PLACE	(.00)	±.015
THREE PLACE	(.000)	±.005
ANGLES		±

WEIGHT .016 LB

REVISIONS

A	CO20189	WE G	28 JUNE 65
B	CO21900	OM W	04 OCT 66
C	CO31748	S D	3 APR 73
D	59921		
E	CO74479	K D R	15 APR 93

WEG 28 JUNE 65

30378

Mouser Electronics

Authorized Distributor

Click to View Pricing, Inventory, Delivery & Lifecycle Information:

[Honeywell:](#)

[V3-115](#)