

# MICRO SWITCH

FREEPORT ILLINOIS, U.S.A  
A DIVISION OF HONEYWELL  
FED. MFG. CODE 91929

# SWITCH-BASIC

CATALOG LISTING

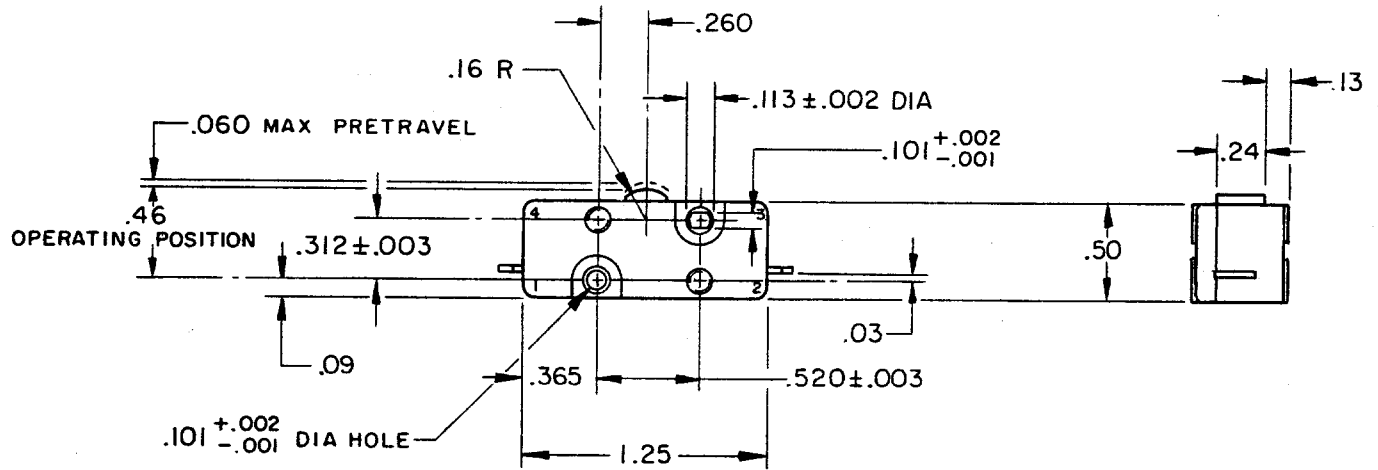
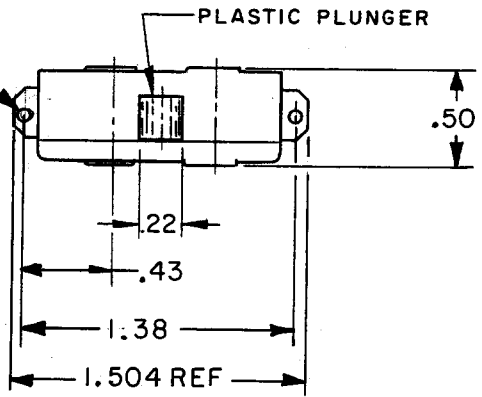
2TB242-4

5

M 2TB242-4  
 DRAWING NUMBER  
 ISSUE X3  
 REVISIONS  
 A OBSDRW 0079128 C S L 12 OCT 94  
 B REINST PR21587 S A D 3 APR 95  
 CHECK  
 KAG 12 APR 84  
 CHECK  
 84  
 APR 84  
 DRAWN  
 FO-52848-A

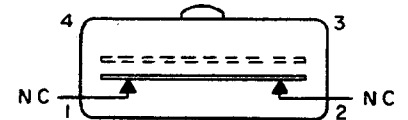
REPLACES X7835-TB

.067 DIA HOLES  
IN TERMINALS (2)



**NOTES**

- 1 - TERMINALS 1 AND 2 NORMALLY CLOSED CIRCUIT
- 2 - TERMINALS ARE PLATED FOR SOLDERING
- 3 - SWITCH WILL WITHSTAND TEMPERATURE OF 250°F



CIRCUIT DIAGRAM

THIS DRAWING COVERS A PROPRIETARY ITEM AND IS THE PROPERTY OF MICRO SWITCH, A DIVISION OF HONEYWELL. THIS DRAWING IS NOT TO BE COPIED OR USED WITHOUT THE APPROVAL OF MICRO SWITCH.

THIRD ANGLE PROJECTION

**CHARACTERISTICS**

OPERATING FORCE ----- 7 - 13 OZ  
 RELEASE FORCE ----- 4 OZ MIN  
 DIFFERENTIAL TRAVEL --- .005 - .015  
 OVERTRAVEL ----- .010 MIN

**ELECTRICAL DATA**

CONTACT ARRANGEMENT  
SEE CIRCUIT DIAGRAM

10A 125 OR 250 VAC  
1/2 HP 125 VAC



L25

SCALE FULL

DO NOT SCALE PRINT

**TOLERANCES**

APPLY TO DESIGN UNITS. CONVERSIONS ARE ONLY FOR REFERENCE. UNLESS NOTED, TOLERANCES ARE ±

NO PLACES	DIM.	TOL.	DIM.	
			mm	mm/in
ONE PLACE	X	1/.04	X.X	0.8/.03
TWO PLACES	X.X	0.4/.016	X.XX	0.38/.015
THREE PLACES	X.XX	0.15/.006	X.XXX	0.13/.005

DESIGN UNITS  SI METRIC  US CUSTOMARY

WEIGHT

# Mouser Electronics

Authorized Distributor

Click to View Pricing, Inventory, Delivery & Lifecycle Information:

[Honeywell:](#)

[2TB242-4](#)