

MICRO SWITCH

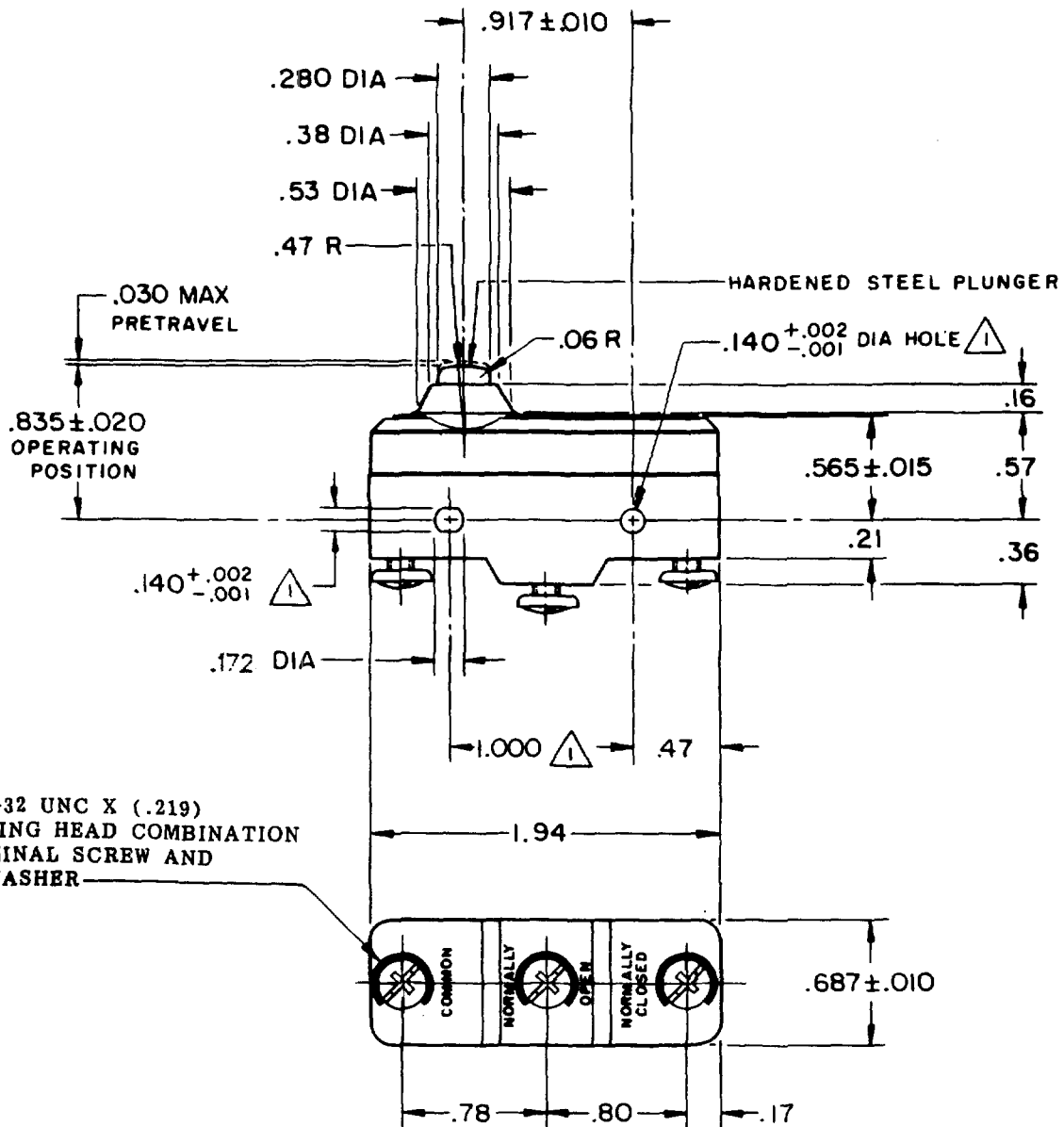
FREEMONT ILLINOIS, U.S.A.
A DIVISION OF HONEYWELL

FED. MFG. CODE 91929

SWITCH - BASIC

CATALOG LISTING

BZ-7RD-A2



3X 6-32 UNC X (.219)
BINDING HEAD COMBINATION
TERMINAL SCREW AND
CUPWASHER

NOTE
▲ MOUNTING HOLES WILL ACCEPT PINS OR SCREWS
OF .139 MAX DIA ON 1.000 ± .002 CENTERS

THIS DRAWING COVERS A PROPRIETARY ITEM AND IS THE PROPERTY OF MICRO SWITCH, A DIVISION OF HONEYWELL. THIS DRAWING IS NOT TO BE COPIED OR USED WITHOUT THE APPROVAL OF MICRO SWITCH.

CHARACTERISTICS	
OPERATING FORCE	22-28 OZ
RELEASE FORCE	4 OZ MIN
DIFFERENTIAL TRAVEL	.0025 - .0070
OVERTRAVEL	.062 MIN

ELECTRICAL DATA	
CONTACT ARRANGEMENT SPDT	
UNDERWRITERS' LAB. INC. LISTED RATING	
15A-125, 250 OR 480 VAC	
-L88-	1/8HP-125 VAC; 1/4HP-250 VAC
	1/2A-125 VDC; 1/4A-250 VDC
-L288-	
-L299-	
-L306-	
	16A 250V ~ T85 5E4

SCALE FULL		
DO NOT SCALE PRINT		
UNLESS OTHERWISE NOTED		
DIMENSIONS ARE IN INCHES		
TOLERANCES ARE:		
ONE PLACE	(.0)	± .030
TWO PLACE	(.00)	± .015
THREE PLACE	(.000)	± .005
ANGLES		
±		
WEIGHT .064 LB		

BZ-7RD-A2
 PAGE 1 OF 1
M
 DRAWING NUMBER
 ISSUE 9
 REVISIONS
 A NEW DWG
 R C R 19 JULY 71
 B CO-73287-J
 J A L 22 NOV 93
 C CO-77589
 K D R 29 MAR 94
 D C093346
 D L T 9 SEP 98
 CHECK 20 JULY 71
 CHECK 19 JULY 71
 DRAWN
 R C R 19 JULY 71
 FORMTEK
 0-80378-1A

REPLACES
 RELEASE NO. PR-1991
 CHECK
 CHECK
 CHECK

Mouser Electronics

Authorized Distributor

Click to View Pricing, Inventory, Delivery & Lifecycle Information:

[Honeywell:](#)

[BZ-7RD-A2](#)