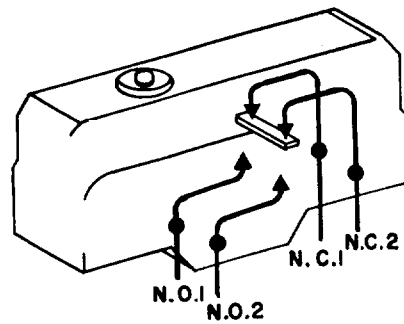
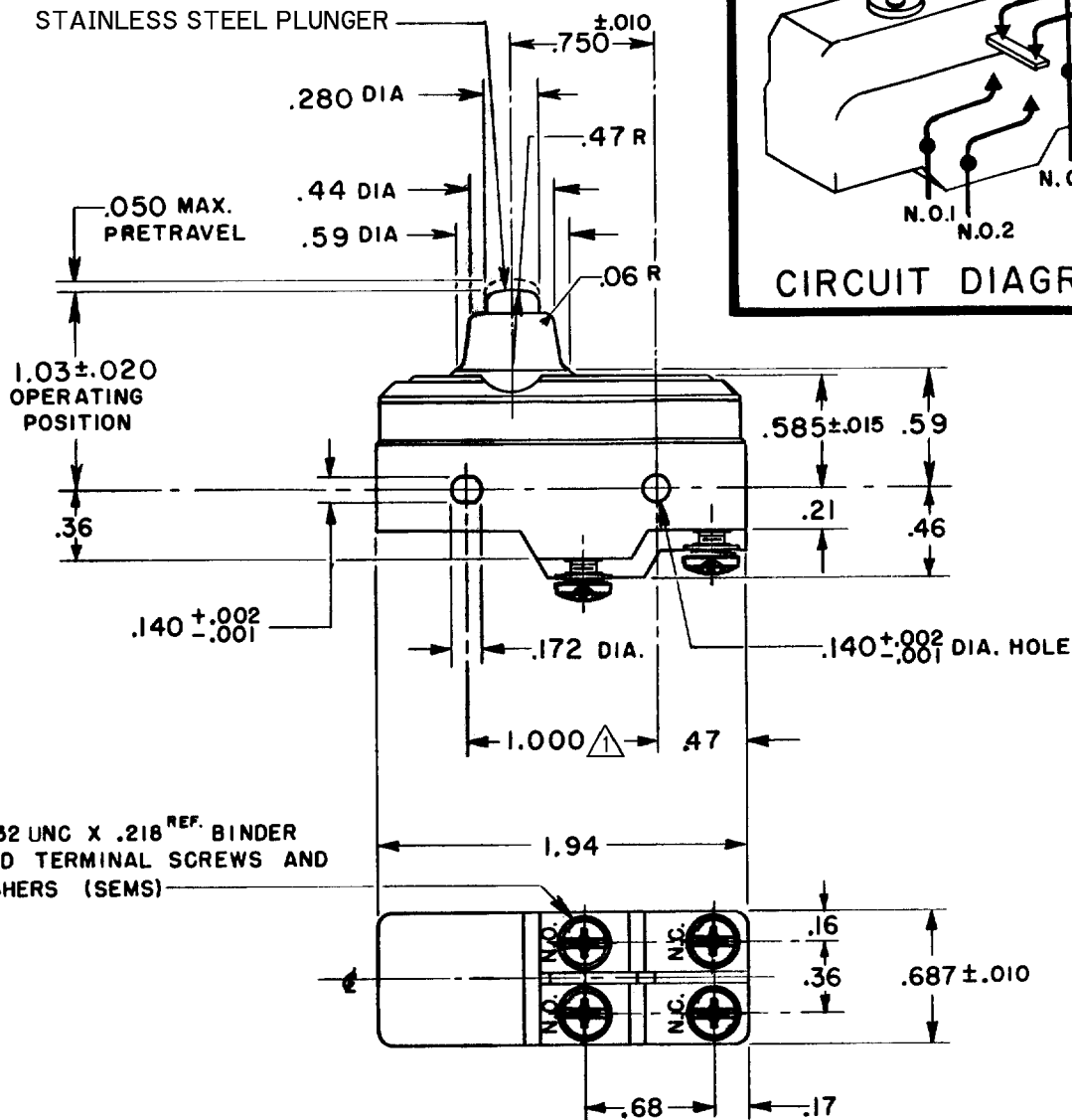


CATALOG LISTING
BA-2SBT
 PAGE 1 OF 1
 DRAWING NUMBER
10
 ISSUE
 REVISIONS
 A CO 9600 K.F.M. 30 JAN.57
 B CO13652 I.Y.O. 3 FEB 60
 C CO 28424 S.R.H. 26 JAN 71
 D CO63005 J.W.H. 24 MAR.57
 E CO-69351-D J.A.P. 5 APR 88
 F CO-95750-B P.W.B. 18 JUL 91
 G.C.H. 21/MAR.57
 G.C.H. 30 JAN.57
 FORMTEK
 FO-50378



NOTES

- 1 MOUNTING HOLES WILL ACCEPT PINS OR SCREWS OF .139 MAX. DIA. ON 1.000 ± .002 CENTERS
- 2 - SUITABLE ONLY FOR APPLICATIONS IMPARTING A RAPID STROKE TO THE SWITCH PLUNGER

THIS DRAWING COVERS A PROPRIETARY ITEM AND IS THE PROPERTY OF MICRO SWITCH, A DIVISION OF HONEYWELL. THIS DRAWING IS NOT TO BE COPIED OR USED WITHOUT THE APPROVAL OF MICRO SWITCH.

CHARACTERISTICS	ELECTRICAL DATA	SCALE FULL
OPERATING FORCE ----- 22-30 OZ.	CONTACT ARRANGEMENT SEE CIRCUIT DIAGRAM	DO NOT SCALE PRINT
RELEASE FORCE ----- 10 OZ. MIN.	30 VOLTS D C RATING (SEA LEVEL TO 50,000 FT) INDUCTIVE ----- 25 AMP RESISTIVE ----- 30 AMP MAXIMUM INRUSH ----- 75 AMP BASED ON LIFE OF 25,000 OPERATIONS	UNLESS OTHERWISE SPECIFIED DIMENSIONS ARE IN INCHES TOLERANCES ARE:
DIFFERENTIAL TRAVEL ----- .004 - .010	25A 125, 250, OR 480 VAC L58 3/4 HP 125 VAC, 1 1/2 HP 250 VAC 1A 125 VDC, 0.5A 250 VDC	ONE PLACE (.0) ±.030 TWO PLACE (.00) ±.015 THREE PLACE (.000) ±.008 ANGLES ±
OVERTRAVEL ----- -.094 MIN.		WEIGHT

Mouser Electronics

Authorized Distributor

Click to View Pricing, Inventory, Delivery & Lifecycle Information:

[Honeywell:](#)

[BA-2SBT](#)