

MICRO SWITCH

A DIVISION OF MINNEAPOLIS-HONEYWELL REGULATOR COMPANY
FOSBROOK, MINNESOTA

FED. MFR. CODE 91929

SWITCH-BASIC

CATALOG LISTING

BA-2RL

(M) BA-2RL
ISSUE 6

BA-2RL

PAGE 1 OF 1

REPLACES

RELEASE NO.

M

DRAWING NUMBER

X12

ISSUE

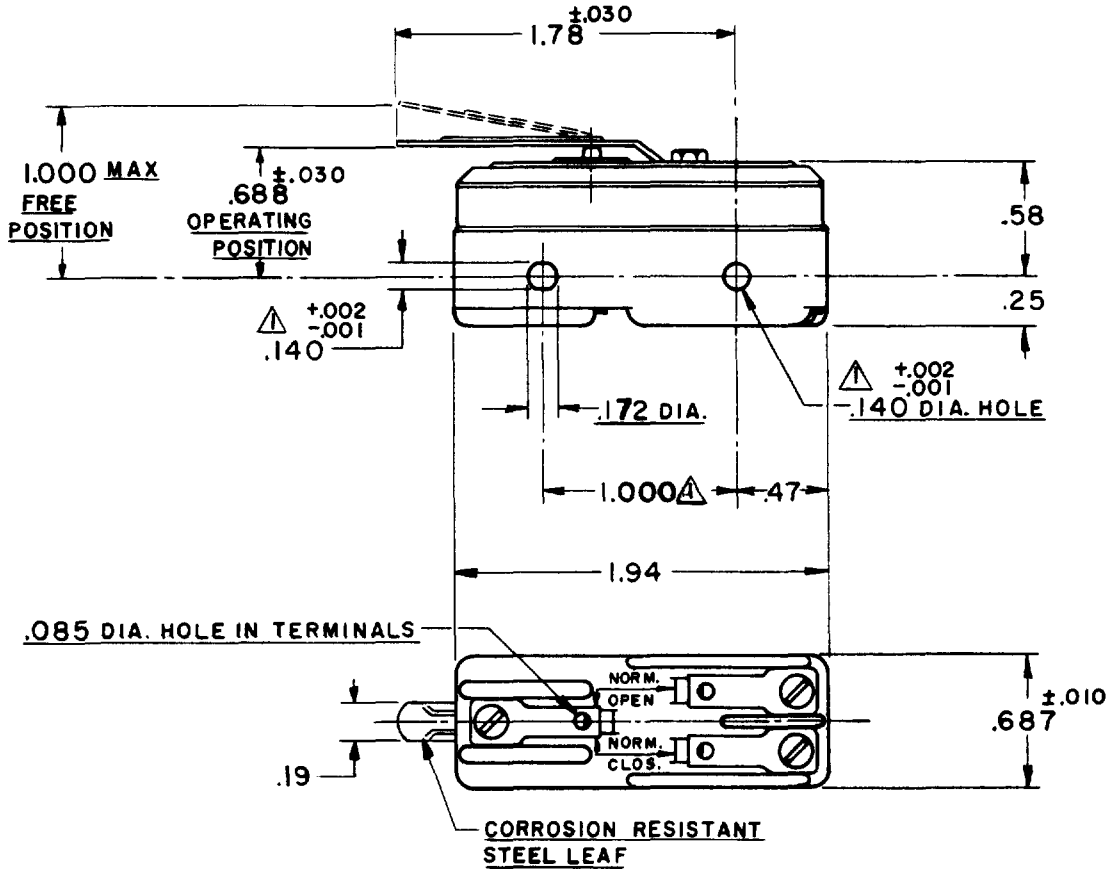
CHECK

REVISIONS

A	CO 9600	R & D	26 FEB 59
B	CO34309	K P K	17 JAN 75
C	CO 77590	S AD	10 JUN 94
D	CO-92159	CSL	21 JAN 98
E	CO93346	DLT	25 AUG 98
F	CO-94212-C	DLT	20 SEP 99

CHECK

CHECK GCH 3 MAR 59



NOTE
▲ MOUNTING HOLES WILL ACCEPT PINS OR SCREWS OF .139 MAX. DIA. ON 1.000^{+0.002} CENTERS.

THIS DRAWING COVERS A PROPRIETARY ITEM AND IS THE PROPERTY OF MICRO SWITCH, A DIVISION OF MINNEAPOLIS-HONEYWELL REGULATOR CO. THIS DRAWING IS NOT TO BE COPIED OR USED WITHOUT THE APPROVAL OF MICRO SWITCH.

CHARACTERISTICS

OPERATING FORCE ----- 9 OZ MAX
RELEASE FORCE ----- 1 OZ MIN
DIFFERENTIAL TRAVEL ----- .065 MAX
DO NOT OVERTRAVEL MORE THAN ----- .062

ELECTRICAL DATA

CONTACT ARRANGEMENT
S P D T

L23 20A 125, 250 OR 480 VAC
10A 125 VAC "L"
1HP 125 VAC, 2HP 250 VAC
1/2A 125 VDC, 1/4A 250 VDC

L288
L299
L308

CE Ⓧ RUL Ⓢ

20(3)A 250V ~ T85 5E4

SCALE FULL

DO NOT SCALE PRINT

UNLESS OTHERWISE SPECIFIED
DIMENSIONS ARE IN INCHES

TOLERANCES ARE:

ONE PLACE	(.0)	±.030
TWO PLACE	(.00)	±.015
THREE PLACE	(.000)	±.005
ANGLES		±

WEIGHT .050 LB

FORMTEK

DRAWN

R G D 26 FEB 59

Mouser Electronics

Authorized Distributor

Click to View Pricing, Inventory, Delivery & Lifecycle Information:

[Honeywell:](#)

[BA-2RL](#)