

**MICRO SWITCH**  
 FREEPORT ILLINOIS U.S.A.  
 A DIVISION OF HONEYWELL  
 FED MFG CODE 91929

**SWITCH - TOGGLE**  
**ABOVE PANEL MOUNT**

CATALOG LISTING  
**1TP65 SERIES**  
**CHART 1**

THIS DRAWING COVERS A PROPRIETARY ITEM AND IS THE PROPERTY OF MICRO SWITCH A DIVISION OF HONEYWELL THIS DRAWING IS NOT TO BE COPIED OR USED WITHOUT THE APPROVAL OF MICRO SWITCH

CATALOG LISTING  
**1TP65 SERIES CHART 1**  
 PAGE 1 OF 1

ISSUE  
**M**  
**2**

REVISIONS  
 A C094412  
 DLM  
 13 OCT 99

CHECK

CHECK

CHECK

CHECK

CHECK

CHECK

CHECK

CHECK

CHECK

REPLACES 1TP65 SERIES

RELEASE NO CO-78465

CHECK

CHECK

23 JUN 94

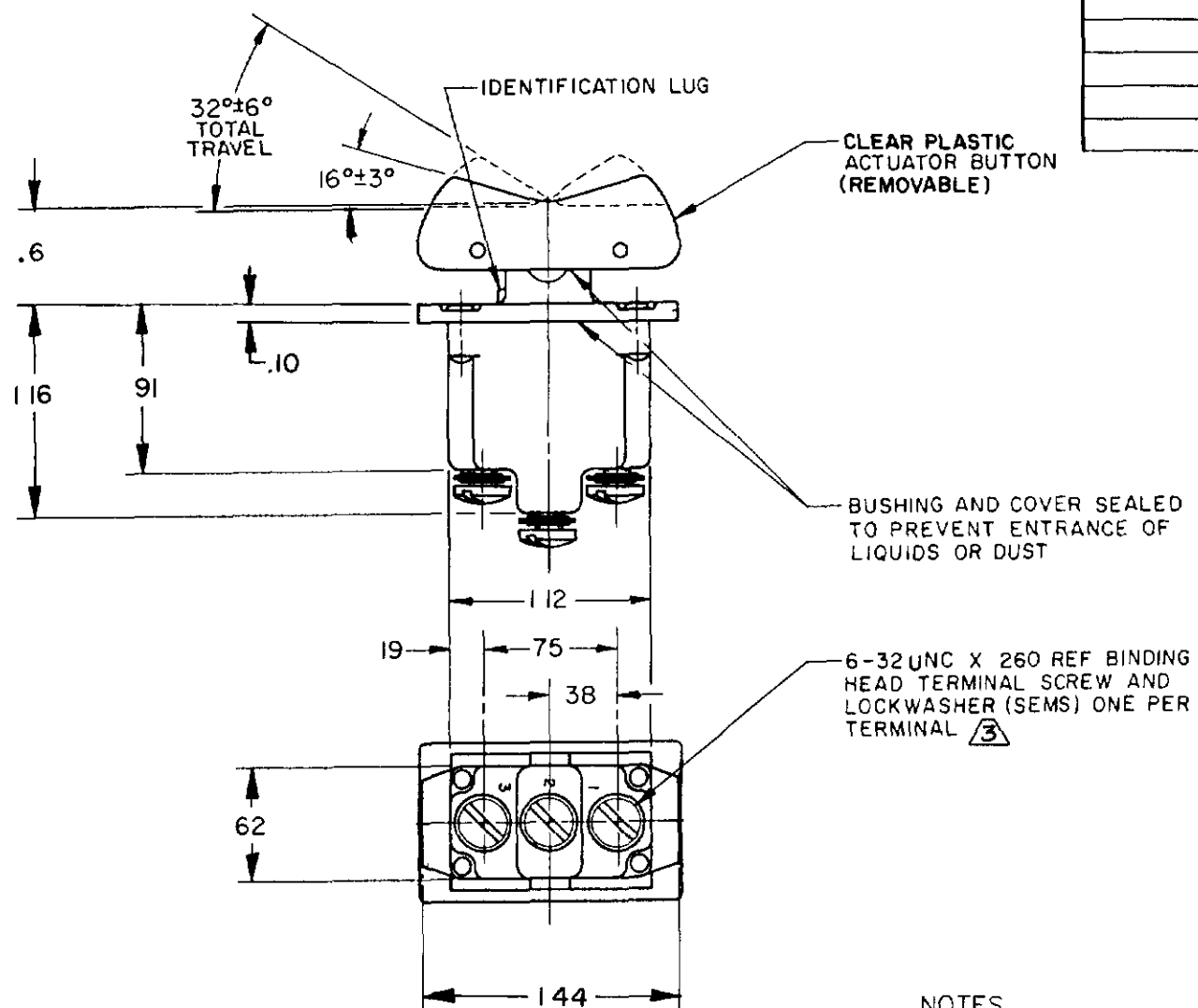
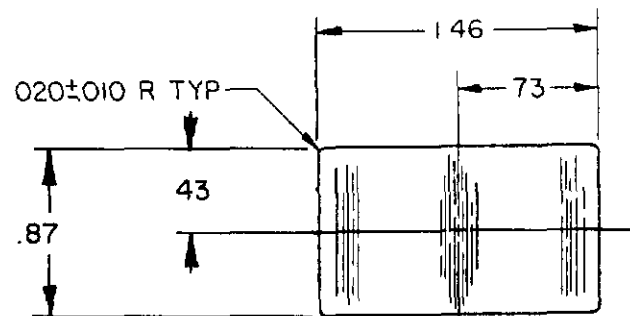
WAG

10 JUN 94

KDR

FORMTEK

DRAWN



NOTES  
 1 - MICRO SWITCH CAT LISTING MARKED ON SIDE OF SWITCH  
 2 - THESE SWITCHES WILL WITHSTAND TEMPERATURE OF 160°F  
 3 - SCREWS FURNISHED UNASSEMBLED

CATALOG LISTING	CIRCUIT WITH BUTTON IN		
	LUG SIDE (1-2)	CENTER (1-2)	OPPOSITE LUG SIDE (2-3)
ITP65-1	ON	OFF	ON
ITP65-2	OFF	NONE	ON
ITP65-3	ON	NONE	ON
ITP65-21	NONE	OFF	ON
ITP65-31	NONE	ON	ON
ITP65-4	MOM OFF	NONE	ON
ITP65-5	MOM ON	OFF	ON
ITP65-6	MOM ON	NONE	OFF
ITP65-7	MOM ON	OFF	MOM ON
ITP65-8	MOM ON	NONE	ON
ITP65-51	NONE	ON	MOM ON
ITP65-61	MOM ON	OFF	NONE

L191 15A 125, 250, 277 VAC  
 1/2HP 125 VAC  
 1HP 250, 277 VAC  
 5A 125 VAC "L"

L192 10A 125, 250, 277 VAC  
 1/4HP 125 VAC,  
 1/2HP 250, 277 VAC  
 3A 125 VAC "L"

THIRD ANGLE PROJECTION

SCALE FULL

DO NOT SCALE PRINT

TOLERANCES  
 APPLY TO DESIGN UNITS. CONVERSIONS ARE ONLY FOR REFERENCE. UNLESS NOTED, TOLERANCES ARE 2

DIM	TOL	DIM	TOL
mm	mm/10	in	mm/10
NO PLACES	±	1/64	±
ONE PLACE	±	0.0015	±
TWO PLACES	±	0.0005	±
THREE PLACES	±	0.0002	±
ANGLES			

DESIGN UNITS  METRIC  US CUSTOMARY

RAW MATERIAL - COMMERCIAL STANDARD  
 MICRO SWITCH STANDARDS APPLY  
 DIMENSIONS ARE TO BE MET BEFORE  
 PROTECTIVE COATINGS ARE APPLIED

WEIGHT 09 LB EST

# Mouser Electronics

Authorized Distributor

Click to View Pricing, Inventory, Delivery & Lifecycle Information:

[Honeywell:](#)

[1TP65-5](#) [1TP65-7](#)