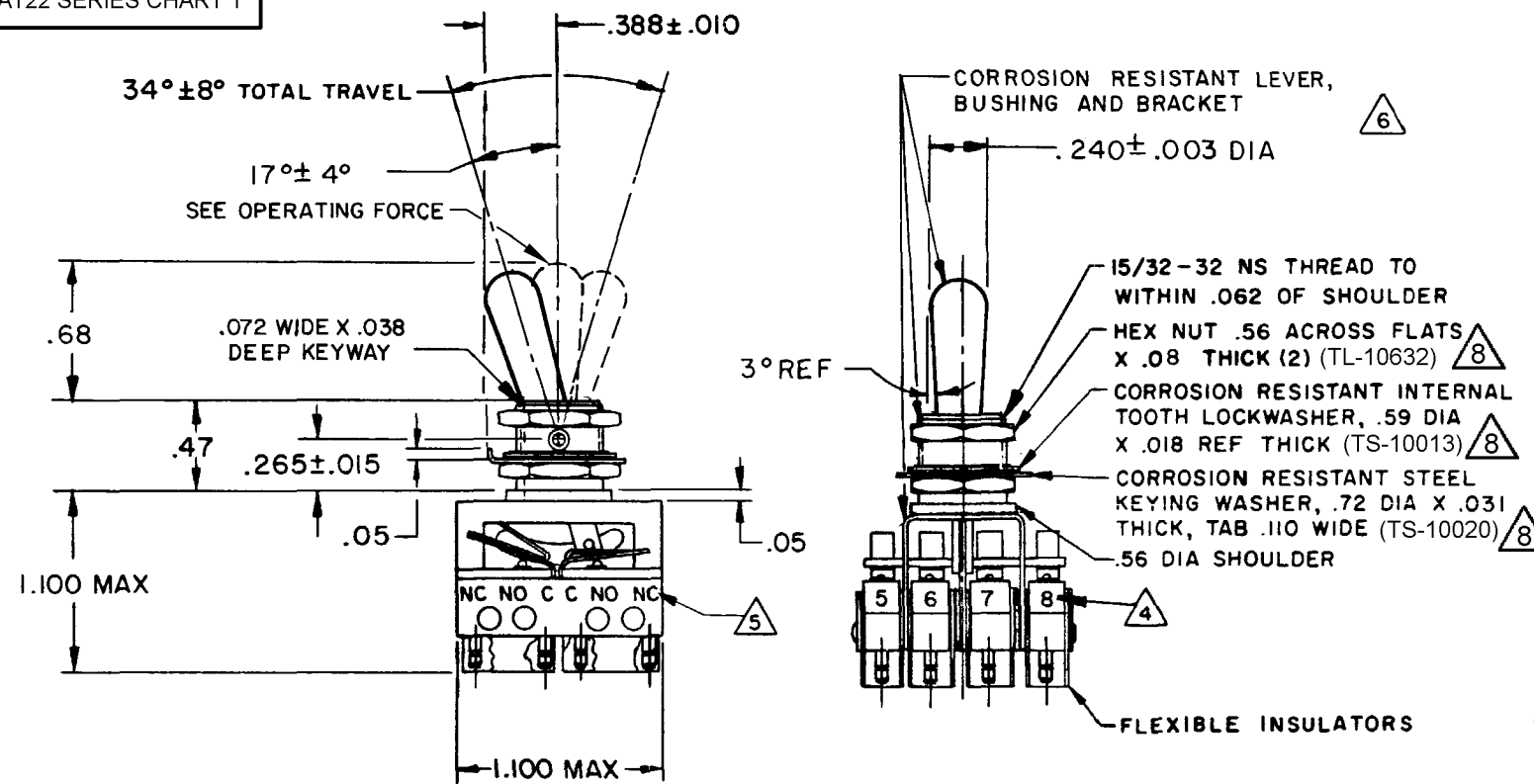


HONEYWELL  
PART NUMBER  
68AT22 SERIES CHART 1

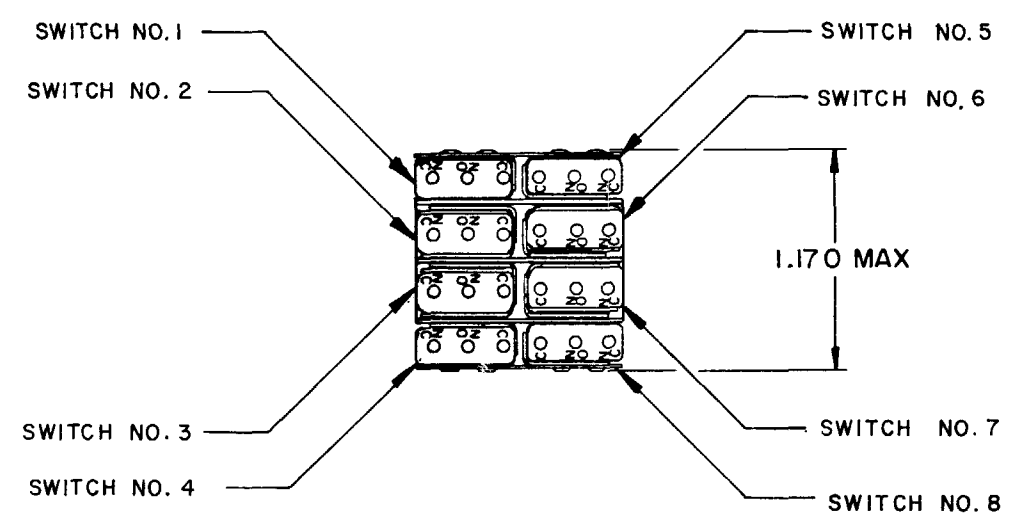
REV	DOCUMENT	CHANGED BY	CHECK
14	0012387	DVM 11APR05	AK



△11	CATALOG LISTING	KEYWAY POSITION		CENTER POSITION		OPPOSITE KEYWAY POSITION		RELEASE NO.
		C-NC	C-NO	C-NO	C-NC	C-NC	C-NO	
FAA-PMA	68 AT 22-1	1,2,3,4	5,6,7,8	NONE	ALL	5,6,7,8	1,2,3,4	PR -4441
	68 AT 22-3	1,2,3,4	5,6,7,8	NONE	NONE	5,6,7,8	1,2,3,4	
	68AT22-5	1,2,3,4*	5,6,7,8*	NONE	ALL	5,6,7,8	1,2,3,4	
FAA-PMA	68 AT 22-7	1,2,3,4*	5,6,7,8*	NONE	ALL	5,6,7,8*	1,2,3,4*	
	68AT22-514	1,2,3,4	5,6,7,8	NONE	ALL	5,6,7,8*	1,2,3,4*	

\* ASTERISK DENOTES MOMENTARY POSITION

- NOTES
- UNIT INCLUDES "sx" TYPE BASIC SWITCH (8) (MEETS REQUIREMENTS OF MIL-S-6743)
  - SWITCHES DO NOT NECESSARILY OPERATE SIMULTANEOUSLY
  - PLATED TERMINALS WILL ACCEPT "AMP INC." .058 DIA PIN RECEPTACLES
  - SWITCH NUMBERS MARKED ON END OF BASIC SWITCHES
  - TERMINAL DESIGNATION MARKED ON BOTH SIDES OF UNIT
  - DULL FINISH ON LEVER AND BUSHING
  - WHEN LEVER IS MOVED OUT OF A MAINTAINED POSITION, IT WILL RETURN OF ITS OWN ACCORD TO THE ORIGINAL POSITION OR THE ADJACENT POSITION. THE TOGGLE LEVER MAY HANG UP BETWEEN THE TWO ADJACENT POSITIONS ONLY BY EXERTING CONSIDERABLE EFFORT
  - HARDWARE FURNISHED ASSEMBLED WITH SWITCH OR IN PACKET 15PA313-AT PER MIL-PRF-8805
  - REPLACEMENT MOUNTING HARDWARE PACKET 15PA313-AT
  - SWITCH MEETS THE REQUIREMENTS OF MIL-PRF-8805/98 EXCEPT INITIAL CONTACT RESISTANCE IS 50 MILLIOHMS MAX AND FINAL CONTACT RESISTANCE AFTER MECHANICAL ENDURANCE IS 600 MILLIOHMS MAX.
  - FOR MANUFACTURING DETAIL SEE THE CORRESPONDING ASSEMBLY DRAWING FOR EACH LISTING FOR FAA-PMA



ELECTRICAL RATINGS			
LOAD	SEA LEVEL		50,000 FT
	28 Vdc (AMPERES)	115 Vac, 60 Hz (AMPERES)	28 Vdc (AMPERES)
RESISTIVE	7	7	4
INDUCTIVE	4	7	2.5

CHARACTERISTICS	ELECTRICAL DATA
OPERATING FORCE - FORCE TO MOVE LEVER FROM ONE POSITION TO ANY ADJACENT POSITION, 1-5 LB. APPLIED .125 ± .030 BELOW TOP OF LEVER	CONTACT ARRANGEMENT S P D T (8)

DESIGN UNITS: INCH  
TOLERANCES UNLESS NOTED:  
NO PLACE X ±  
ONE PLACE .X ± 0.030  
TWO PLACE .XX ± 0.015  
THREE PLACE .XXX ± 0.005  
FOUR PLACE .XXXX ±  
ANGLES ±  
THIRD ANGLE PROJECTION

DRAWN BEN 10SEP74  
CHECK DJW 17SEP74  
THIS DRAWING COVERS A PROPRIETARY ITEM AND IS THE PROPERTY OF HONEYWELL. THIS DRAWING IS NOT TO BE COPIED OR USED WITHOUT THE PERMISSION OF HONEYWELL.  
INTERPRET PER ASME Y14.5M-1994 OTHER HONEYWELL ENGINEERING STANDARDS MAY APPLY

**Honeywell**

TITLE  
**ASSEMBLY - TOGGLE SWITCH**

SIZE	TYPE	DRAWING NAME	REV
B	I	68AT22 SERIES CHART 1	14

RASTER SCALE - WEIGHT: .09 LB APPROX SHEET 1 OF 1

# Mouser Electronics

Authorized Distributor

Click to View Pricing, Inventory, Delivery & Lifecycle Information:

[Honeywell:](#)

[68AT22-1](#) [68AT22-3](#) [68AT22-5](#) [68AT22-7](#)