



MICRO SWITCH
 FREEPORT ILLINOIS U S A
 A DIVISION OF HONEYWELL
 FED MFG. CODE 91889

**SWITCH—TOGGLE
 FLUSH KEY**

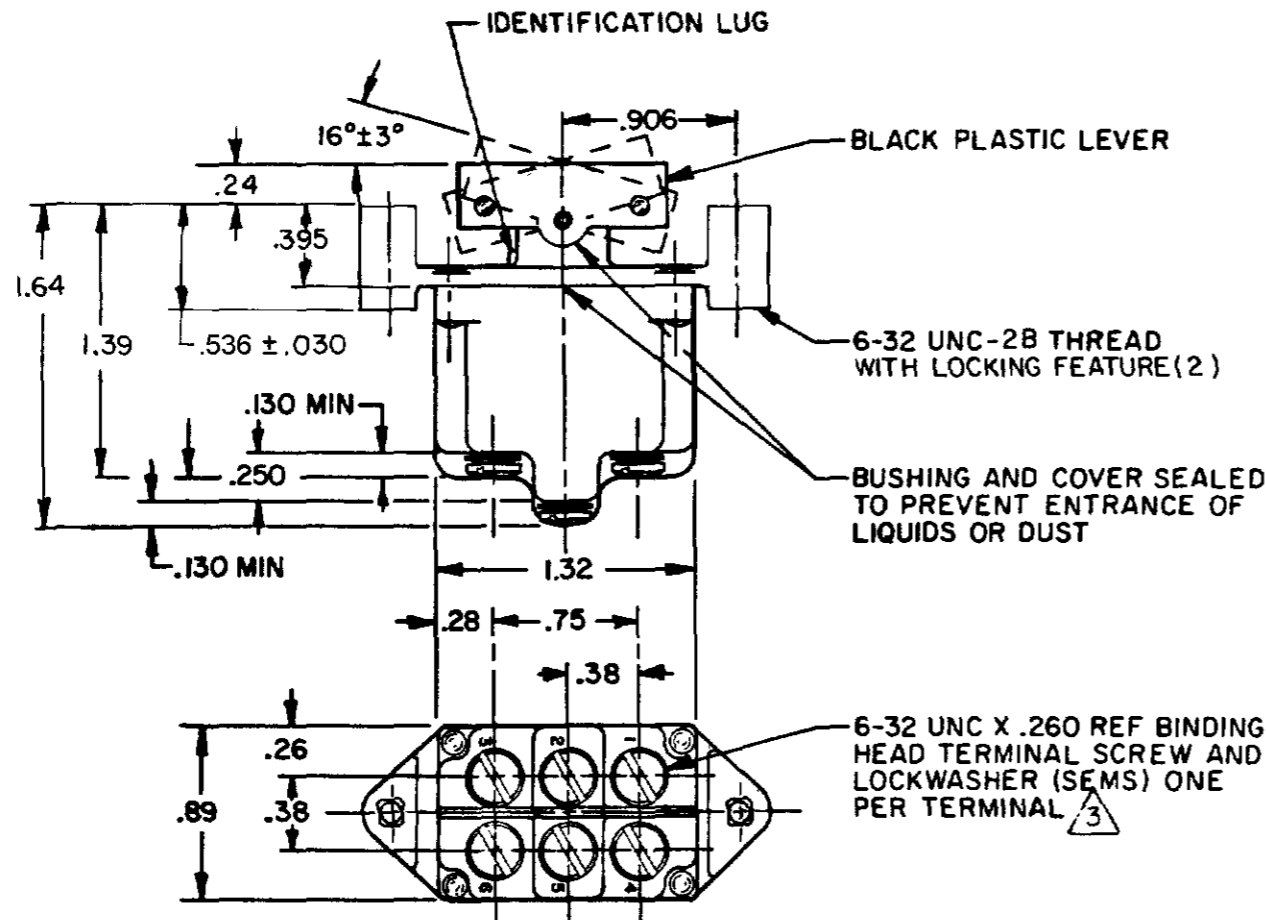
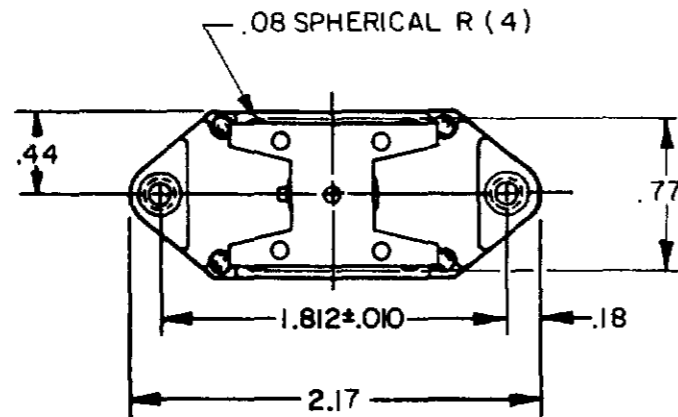
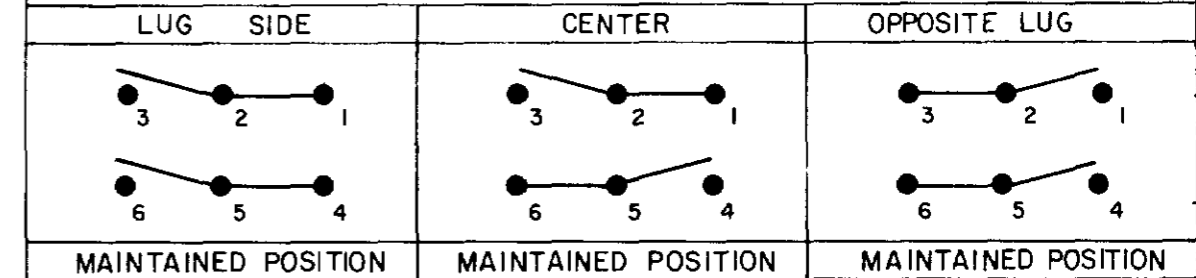
CATALOG LISTING
2TP8-10

THIS DRAWING COVERS A PROPRIETARY ITEM AND IS THE PROPERTY OF MICRO SWITCH A DIVISION OF HONEYWELL THIS DRAWING IS NOT TO BE COPIED OR USED WITHOUT THE APPROVAL OF MICRO SWITCH

ELECTRICAL DATA

15A-125, 250 OR 277 VAC 
 1/2HP-125VAC, 1HP-250, 277 VAC
 5A-125VAC "L" CODE L191 

CIRCUIT DIAGRAM



NOTES

- 1 - THESE SWITCHES WILL WITHSTAND TEMPERATURE OF 160°F
- 2 - MICRO SWITCH CATALOG LISTING MARKED ON SIDE OF SWITCH
- 3 - SCREWS FURNISHED UNASSEMBLED

DRAWING NUMBER
2TP8-10

PAGE 1 OF 1

REPLACES
 RELEASE NO. PR-9476

ISSUE
M

14

CHECK

REVISIONS

A	085	03 47730	
B	SMA	JUNE 80	
	RE INST	PR 9476	
C	KAG	15 OCT 80	
	CO-49167		
	J A P	16 JUL 81	
D	WJM	11 AUG 81	
	CO57496		
E	WJK	22 OCT 86	
	CO60389		
F	WJK	10 NOV 88	
	CO77897		
G	CSL	15 JUN 94	
	200032		
H	J J A	2 JAN 00	
	202714		
J	CSL	3 APR 01	

RASTER

FO-32854-B

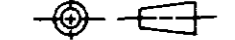
DRAWN

CHECK

15 OCT 80

KAG

THIRD ANGLE PROJECTION



SCALE FULL

DO NOT SCALE PRINT

TOLERANCES

APPLY TO DESIGN UNITS. CONVERSIONS ARE ONLY FOR REFERENCE UNLESS NOTED TOLERANCES ARE ±

NO PLACES	ONE PLACE	TWO PLACES	THREE PLACES	ANGLES
X	X,X	X,XX	X,XXX	X
1/16	0.0015	0.0002	0.0001	0.01
0.0015	0.0002	0.0001	0.00005	0.01

DESIGN UNITS

MM METRIC

US CUSTOMARY

RAW MATERIAL—COMMERCIAL STANDARD

MICRO SWITCH STANDARDS APPLY

DIMENSIONS ARE TO BE MET BEFORE PROTECTIVE COATINGS ARE APPLIED

WEIGHT 14 LB EST

Mouser Electronics

Authorized Distributor

Click to View Pricing, Inventory, Delivery & Lifecycle Information:

[Honeywell:](#)

[2TP8-10](#)