

**MICRO SWITCH**

A DIVISION OF MINNEAPOLIS-HONEYWELL REGULATOR COMPANY

FED. MFR. CODE 91929

**ACTUATOR-SWITCH**

CATALOG LISTING

**JX-41**

5

JX-41

M

DRAWING NUMBER

29

35

ISSUE

3

REPLACES

RELEASE NO. SR 7758

CHECK

CHECK

CHECK

CHECK

CHECK

CHECK

CHECK

CHECK

CHECK

CHECK

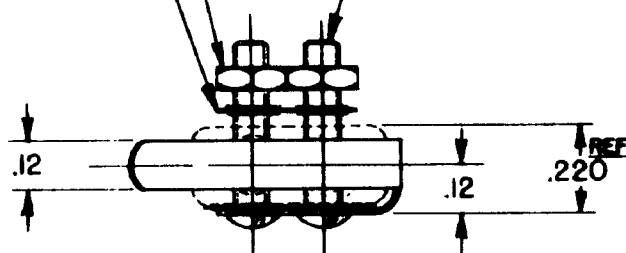
CHECK

CHECK

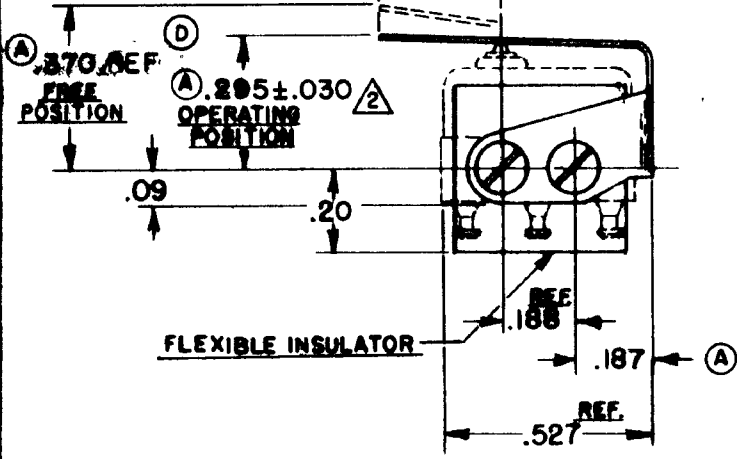
(2) 2-56 UNC HEX NUT

(2) 2-56 UNC X .438 <sup>REF.</sup> ROUND HEAD MACHINE SCREW.

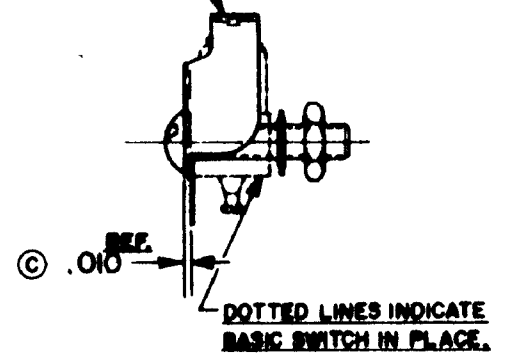
(2) LOCKWASHER



.370 ± .020



CORROSION RESISTANT STEEL ACTUATOR (TYPE 301) C



**NOTE -**

- 1- SCREWS, NUTS, LOCKWASHERS AND INSULATOR FURNISHED UNASSEMBLED.
- 2- SLIGHT ROTATION BETWEEN BASIC AND ACTUATOR MAY BE NECESSARY TO OBTAIN OPERATING POSITION

THIS DRAWING COVERS A PROPRIETARY ITEM AND IS THE PROPERTY OF MICRO SWITCH, A DIVISION OF MINNEAPOLIS-HONEYWELL REGULATOR CO. THIS DRAWING IS NOT TO BE COPIED OR USED WITHOUT THE APPROVAL OF MICRO SWITCH.

**CHARACTERISTICS WITH ISX1-T BASIC SWITCH INSTALLED**

OPERATING FORCE----- 6 OZ MAX.  
 RELEASE FORCE----- 1 OZ MIN.  
 DIFFERENTIAL TRAVEL--- .025 MAX.  
 OVERTRAVEL----- .015 MIN.  
 (A)

**ELECTRICAL DATA**

CONTACT ARRANGEMENT

SCALE 2 TO 1

DO NOT SCALE PRINT

UNLESS OTHERWISE SPECIFIED DIMENSIONS ARE IN INCHES  
**TOLERANCES ARE:**

ONE PLACE (.0) ± .030  
 TWO PLACE (.00) ± .018  
 THREE PLACE (.000) ± .008  
 ANGLES ±

WEIGHT

FO-30378

DRAWN

D. A. W. 29, AUG '58

G.C.H. 12 SEPT 58

# Mouser Electronics

Authorized Distributor

Click to View Pricing, Inventory, Delivery & Lifecycle Information:

[Honeywell:](#)

[JX-41](#)