

PAGE 1 OF 1  
X24754 ISS 1

REPLACES

RELEASE NO. PR-3964

JX-4

CATALOG LISTING



ISSUE

10

CHECK

REVISIONS

A 205206

JLH 29MAR02

CHECK

29MAR02

SAV

CHECK

29MAR02

JLH

29MAR02

DRAWN

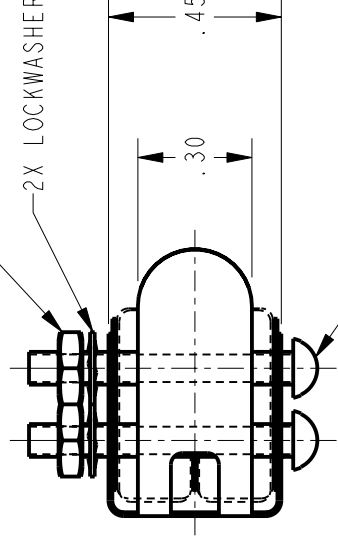
PTC/CAD 3D



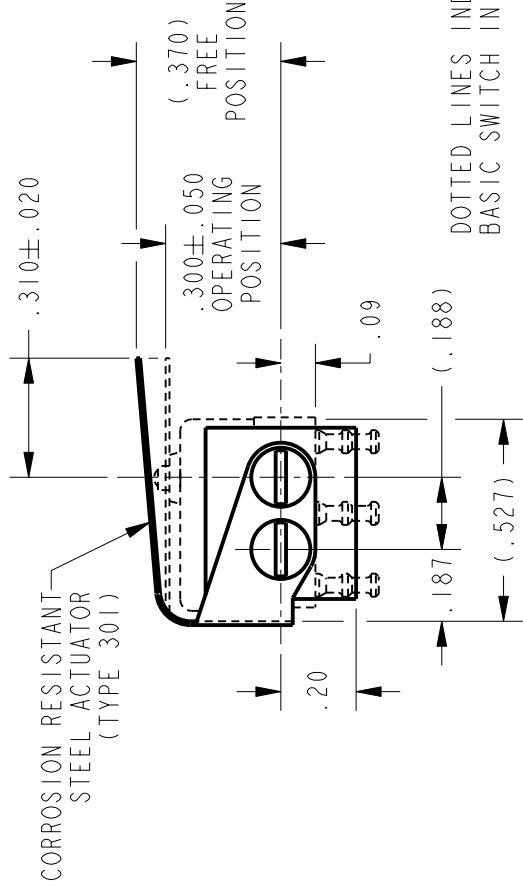
2X 2-56 NC HEX NUT



2X LOCKWASHER



2X 2-56 NC X (.688) ROUND HEAD MACHINE SCREW



CORROSION RESISTANT-  
STEEL ACTUATOR  
(TYPE 301)

DOTTED LINES INDICATE  
BASIC SWITCH IN PLACE

3X FLEXIBLE INSULATOR

(.010)

NOTES

- 1 FURNISHED UNASSEMBLED
- 2 SLIGHT ROTATION BETWEEN BASICS AND ACTUATOR MAY BE NECESSARY TO OBTAIN OPERATING POSITION

ANSI Y14.5M-1982 APPLIES

THIS DRAWING COVERS A PROPRIETARY ITEM AND IS THE PROPERTY OF MICRO SWITCH. A DIVISION OF HONEYWELL. THIS DRAWING IS NOT TO BE COPIED OR USED WITHOUT THE APPROVAL OF MICRO SWITCH.



THIRD ANGLE PROJECTION

CHARACTERISTICS

OPERATING FORCE	15 OZ MAX
DIFFERENTIAL FORCE	
RELEASE FORCE	3 OZ MIN
PRETRAVEL	
DIFFERENTIAL TRAVEL	.030 MAX
OVERTRAVEL	.008 MIN
FREE POSITION	

ELECTRICAL DATA

CONTACT ARRANGEMENT

SCALE 2:1

UNLESS OTHERWISE SPECIFIED TOLERANCES ARE

ONE PLACE (.0)

TWO PLACE (.00)

THREE PLACE (.000)

ANGLES

WEIGHT

DO NOT SCALE PRINT

# Mouser Electronics

Authorized Distributor

Click to View Pricing, Inventory, Delivery & Lifecycle Information:

[Honeywell:](#)

[JX-4](#)