

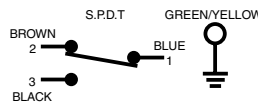
# 14CE100 Series Miniature Enclosed, Explosion Proof Switches



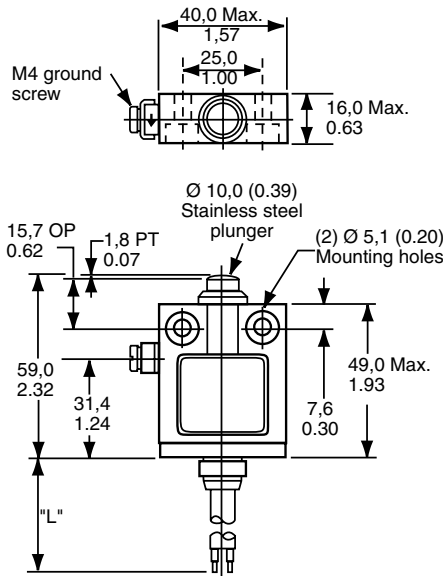
The 14CE100 Series has been designed for use in explosive environments. It is approved to meet the requirements of the Low Voltage directive and is CE marked. The prewired construction allows for ease of installation where space is at a premium and external operating conditions can be difficult.

<b>Mechanical life:</b>		10 million
<b>Sealing:</b>	Standard	IP65, NEMA 1, 3
	Boot sealed	IP67, NEMA 1, 3, 4, 12, 13
<b>Operating temperature:</b>		0 °C to 70 °C [32 °F to 158 °F]
<b>Approvals:</b>		CE, PTB 98 ATEX 1064 X EExd IIC T6 Category II 2 G
		AC14 D300
		DC13 R300
<b>Operating force (OF):</b>		11,8 N max.
<b>Pretravel (PT):</b>		1,8 mm [0.71 in] max.
<b>Overtravel (OT):</b>		3,0 mm [0.118 in] min.
<b>Differential travel (DT):</b>		0,1mm [0.004 in] max.
<b>Contacts:</b>	Standard	Silver
	- * G	Gold
<b>Connection:</b>		Harmonised CENELEC 4 x 0,75 mm <sup>2</sup> cable
<b>Switching options:</b>		Single Pole, Double Throw
SPDT		Snap action contacts (1NC/1NO)

**Actuators**

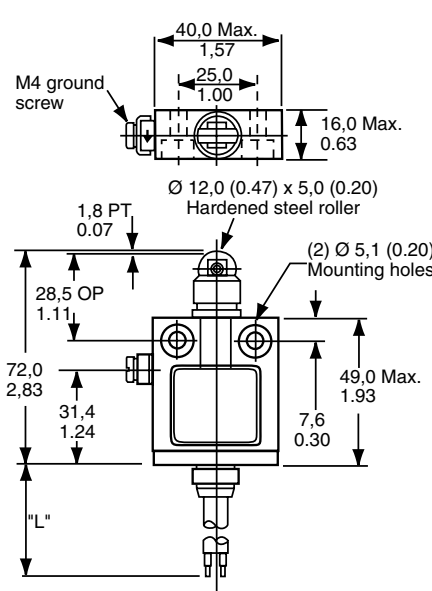


**Top pin plunger**



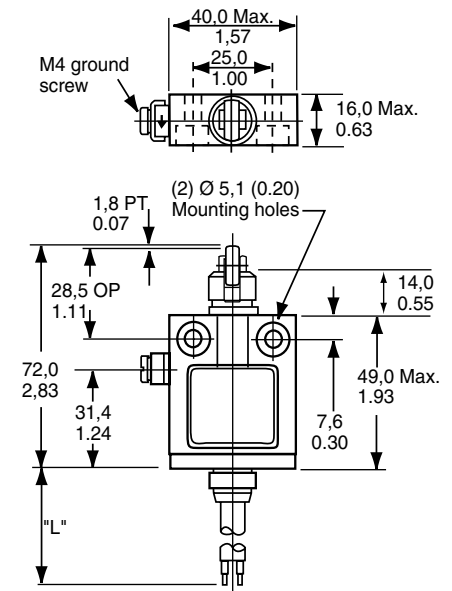
CABLE LENGTH	CAT. LISTING
1 m [3.3 ft]	14CE101-1
2 m [6.6 ft]	14CE101-2
3 m [9.9 ft]	14CE101-3
4 m [13.2 ft]	14CE101-4
5 m [16.5 ft]	14CE101-5
6 m [19.8 ft]	14CE101-6
10 m [33.0 ft]	14CE101-10

**Top roller plunger, parallel**



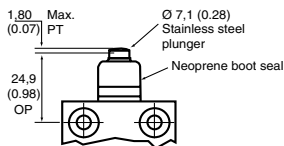
CABLE LENGTH	CAT. LISTING
1 m [3.3 ft]	14CE102-1
3 m [9.9 ft]	14CE102-3
3 m [9.9 ft] Gold contacts	14CE102-3G
5 m [16.5 ft]	14CE102-5
6 m [19.8 ft]	14CE102-6
6 m [19.8 ft] Gold contacts	14CE102-6G
8 m [26.4 ft]	14CE102-8
12 m [39.6 ft]	14CE102-12
15 m [49.5 ft]	14CE102-15

**Top roller plunger, perpendicular**



CABLE LENGTH	CAT. LISTING
1 m [3.3 ft]	14CE103-1
3 m [9.9 ft]	14CE103-3

**Boot sealed**



CABLE LENGTH	CAT. LISTING
1 m [3.3 ft]	14CE118-1
6 m [19.8 ft]	14CE118-6
10 m [33.0 ft]	14CE118-10

# Mouser Electronics

Authorized Distributor

Click to View Pricing, Inventory, Delivery & Lifecycle Information:

## Honeywell:

[14CE101-1](#) [14CE101-10](#) [14CE101-2](#) [14CE101-3](#) [14CE101-4](#) [14CE101-6](#) [14CE102-1](#) [14CE102-12](#) [14CE102-15](#)  
[14CE102-3](#) [14CE102-3G](#) [14CE102-5](#) [14CE102-6](#) [14CE102-8](#) [14CE103-1](#) [14CE103-3](#) [14CE118-1](#) [14CE118-10](#)  
[14CE118-6](#)