

CATALOG LISTING
8AS190-V3L
PAGE 1 OF 1
ISSUE **5**

REPLACES
RELEASE NO. PR-6416-T

REVISIONS

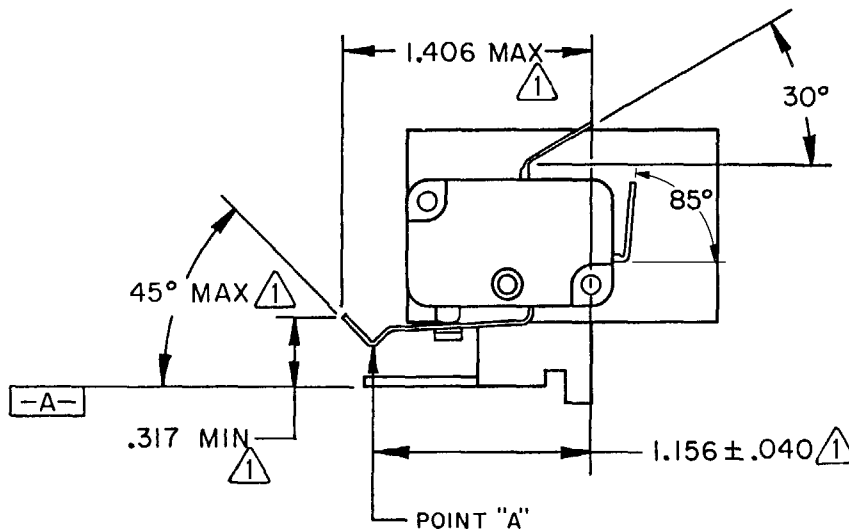
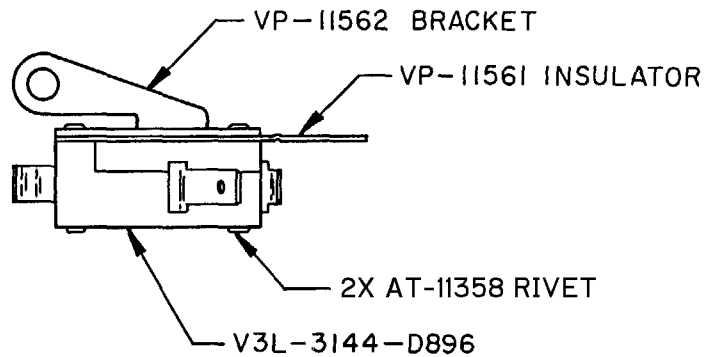
A	CO 82462
	DCS 19 JAN 96
B	CO 82718
	DCS 15 MAR 96

CHECK

19 JAN 96	CHECK
-----------	-------

FORMTEK
DRAWN

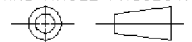
19 JAN 96	CHECK
DCS	CHECK



- NOTES
- 1 MEASURED AT FREE POSITION
 - 2 MEASURED AT FULL OVERTRAVEL FROM -A-

THIS DRAWING COVERS A PROPRIETARY ITEM AND IS THE PROPERTY OF MICRO SWITCH, A DIVISION OF HONEYWELL. THIS DRAWING IS NOT TO BE COPIED OR USED WITHOUT THE APPROVAL OF MICRO SWITCH.

THIRD ANGLE PROJECTION



CHARACTERISTICS AT POINT "A"

OPERATING FORCE	----- 95 GRAMS MAX (3.35 OZ)
DIFFERENTIAL TRAVEL	----- 1 .042 MAX
TOTAL TRAVEL	----- 2 .317 MIN
OPERATE POSITION	----- .235 ± .025

ELECTRICAL DATA

CONTACT ARRANGEMENT
S P N C

SCALE FULL

DO NOT SCALE PRINT

UNLESS OTHERWISE SPECIFIED TOLERANCES ARE		
ONE PLACE (.0)	±	.030
TWO PLACE (.00)	±	.015
THREE PLACE (.000)	±	.005
ANGLES	±	

WEIGHT

Mouser Electronics

Authorized Distributor

Click to View Pricing, Inventory, Delivery & Lifecycle Information:

[Honeywell:](#)

[8AS190-V3L](#)