



MICRO SWITCH

FREEPORT, ILLINOIS, U.S.A.
A DIVISION OF HONEYWELL

FED. MFG. CODE 91929

PACKET

CATALOG LISTING

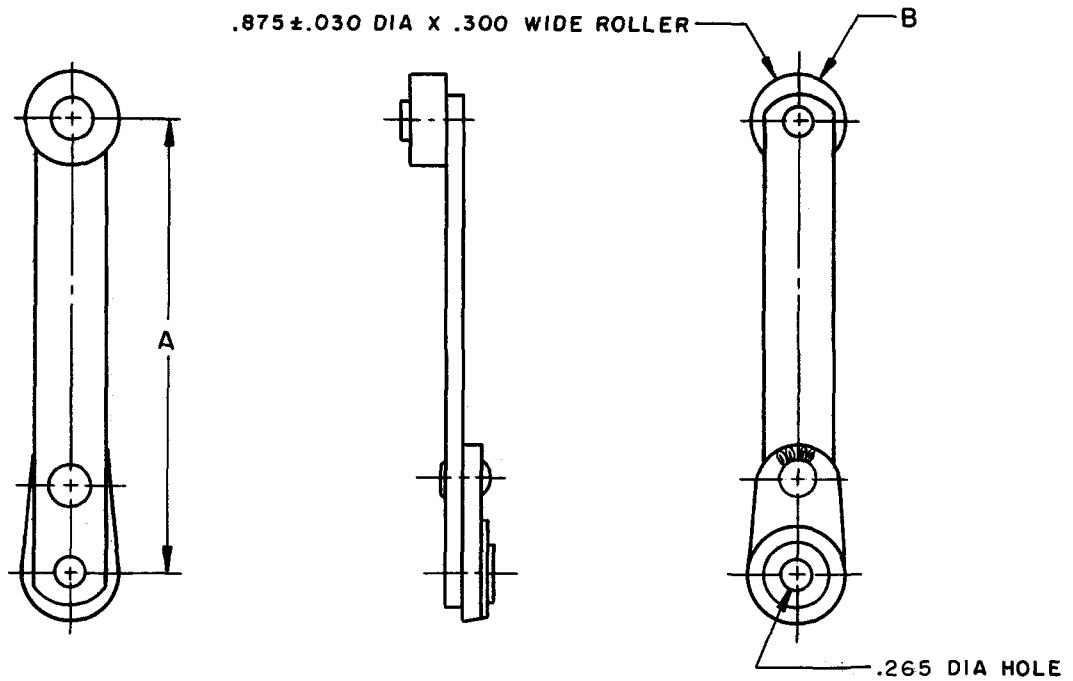
6 PA SERIES

CHART 2

THIS DRAWING COVERS A PROPRIETARY ITEM AND IS THE PROPERTY OF MICRO SWITCH, A DIVISION OF MINNEAPOLIS-HONEYWELL REGULATOR CO. THIS DRAWING IS NOT TO BE COPIED OR USED WITHOUT THE APPROVAL OF MICRO SWITCH.

CATALOG LISTING
M 6 PA SERIES CHART 2
PAGE 1 OF 1
ISSUE
5

REPLACES
RELEASE NO. SR 11974
CHECK
14 SEP 65
14 SEP 65
13 SEP 65
DRAWN
13 SEP 65



REVISIONS

A	C026508	
M	B	S
	24	OCT 69
B	PR11219	
S	L	B
	27	MAY 82
C	C077469	
KEU		
13	OCT 94	
D	CO-95887	
C.S.L		
	7 MAR 00	

CAT. LISTING	A	B
(D)	1.780	NYLON
6 PA104	2.000	NYLON
6 PA105	2.500	NYLON
6 PA106	3.000	NYLON
6 PA107	3.500	NYLON
6 PA108	4.000	NYLON
6 PA109	4.500	NYLON
6 PA111	1.780	STEEL
6 PA112	2.000	STEEL
6 PA113	2.500	STEEL
6 PA114	3.000	STEEL
6 PA115	3.500	STEEL
6 PA116	4.000	STEEL
6 PA117	4.500	STEEL

UNLESS OTHERWISE SPECIFIED
TOLERANCES ARE:

ONE PLACE	(.0)	±.030
TWO PLACE	(.00)	±.015
THREE PLACE	(.000)	±.005
ANGLES		±

RAW MATERIAL - COMMERCIAL STANDARD

DIMENSIONS ARE IN INCHES AND ARE TO BE MET BEFORE PROTECTIVE COATINGS ARE APPLIED

FORMTEK
FO-50378-005

Mouser Electronics

Authorized Distributor

Click to View Pricing, Inventory, Delivery & Lifecycle Information:

[Honeywell:](#)

[6PA104](#) [6PA105](#) [6PA106](#) [6PA107](#) [6PA108](#) [6PA109](#) [6PA111](#) [6PA112](#) [6PA113](#) [6PA114](#) [6PA115](#) [6PA116](#)
[6PA117](#) [6PA78-4](#) [6PA43-4](#)