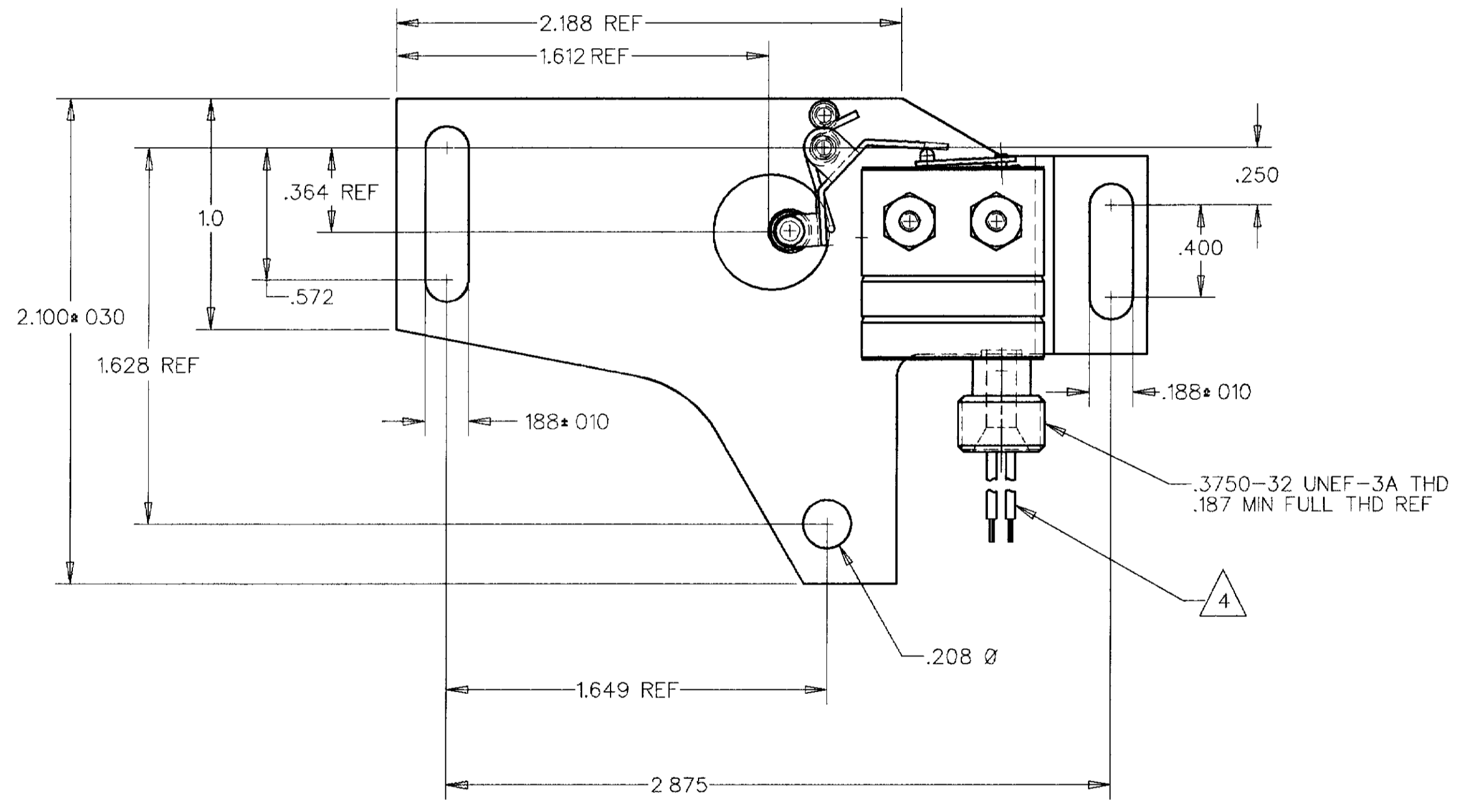
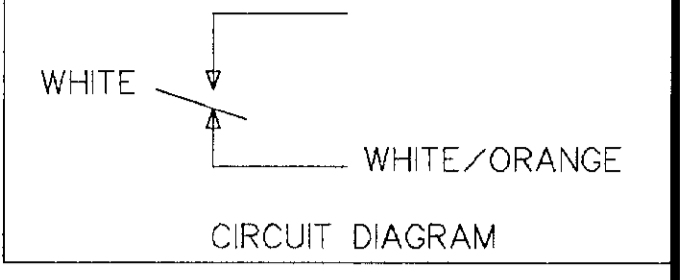
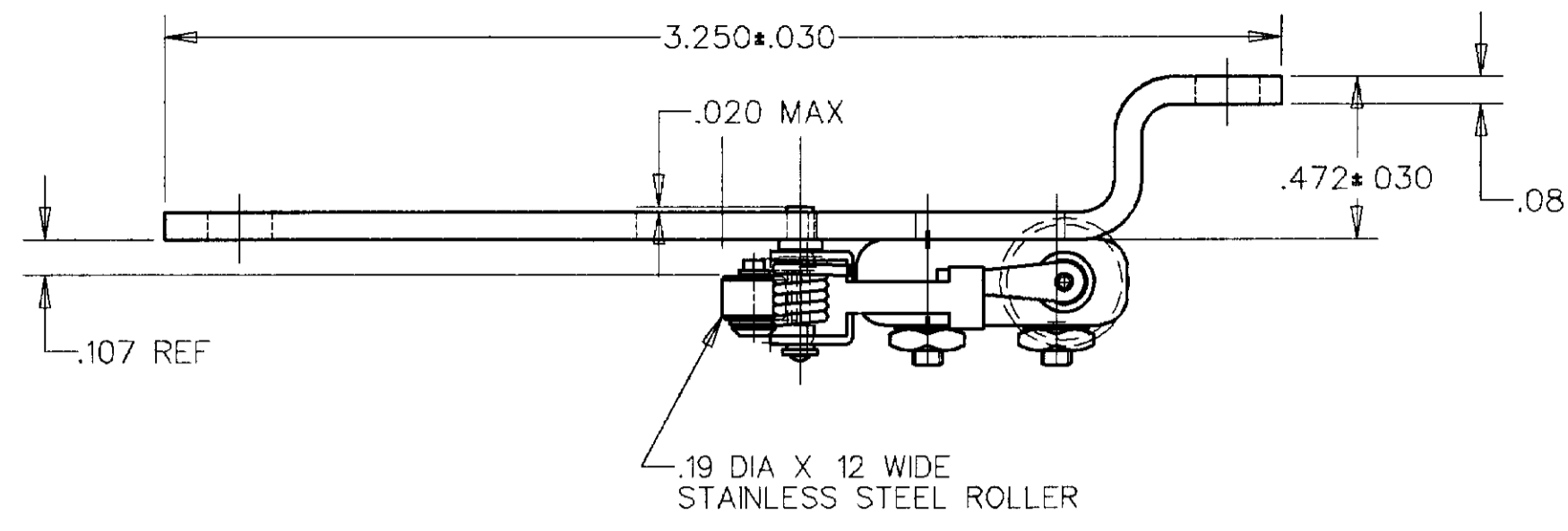


DDM/CAD
DRAWN
DCS 21 FEB 83
CHECK
GLH
16 JUL 83
REPLACES
PR-12536-T
38HM4
M
DRAWING NUMBER
6
ISSUE

REVISIONS	
A	PR12536 15 JUL 83
B	NOV 83 055506 15 JUL 84
B	JUN 84 055465 15 JUL 84
C	SEP 84 055828 15 JUL 84
D	APR 84 056632 15 JUL 83
E	MAR 91 069973 15 MAR 91



- NOTES
 1 - UNIT INCLUDES 8HM103 BASIC SWITCH
 2 - SWITCH HERMETICALLY SEALED PER MIL-S-8805, SYMBOL 5
 3 - ALL EXPOSED PARTS ARE CORROSION RESISTANT MATERIALS OR SURFACE TREATED
 4 - LEADWIRE PER MIL-W-22759/10-20 AND 36 INCHES LONG REF

ELECTRICAL DATA	
CONTACT ARRANGEMENT S P N C	
28 VOLTS DC RATING	
INDUCTIVE	SEA LEVEL - 1/4 AMP 70,000 FT - 1/4 AMP
RESISTIVE	SEA LEVEL - 1 AMP 70,000 FT - 1 AMP

CHARACTERISTICS	
OPERATING FORCE	5 LBS MAX
RELEASE FORCE	12 OZ MIN
PRETRAVEL	0.06 MIN
DIFFERENTIAL TRAVEL	0.15 MAX
OVERTRAVEL	0.025 MIN

THIS DRAWING COVERS A PROPRIETARY ITEM AND IS THE PROPERTY OF MICRO SWITCH, A DIVISION OF HONEYWELL. THIS DRAWING IS NOT TO BE COPIED OR USED WITHOUT THE APPROVAL OF MICRO SWITCH.

MICRO SWITCH
a Honeywell Division

SWITCH-BASIC

CATALOG LISTING
38HM4
SUNSTRAND DRAWING
5903922

FED. MFG. CODE 91929

THIRD ANGLE PROJECTION	
SCALE	2:1
DO NOT SCALE PRINT	
UNLESS OTHERWISE SPECIFIED TOLERANCES ARE	
ONE PLACE	() ± 0.30
TWO PLACES	(00) ± 0.15
THREE PLACES	(000) ± 0.05
ANGLES	±
WEIGHT	

Mouser Electronics

Authorized Distributor

Click to View Pricing, Inventory, Delivery & Lifecycle Information:

[Honeywell:](#)

[38HM4](#)