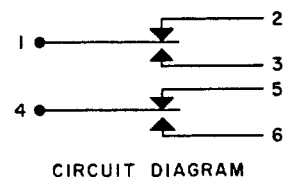


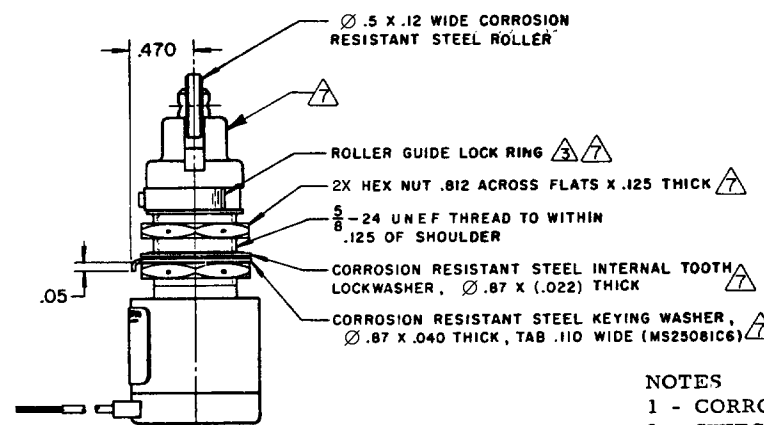
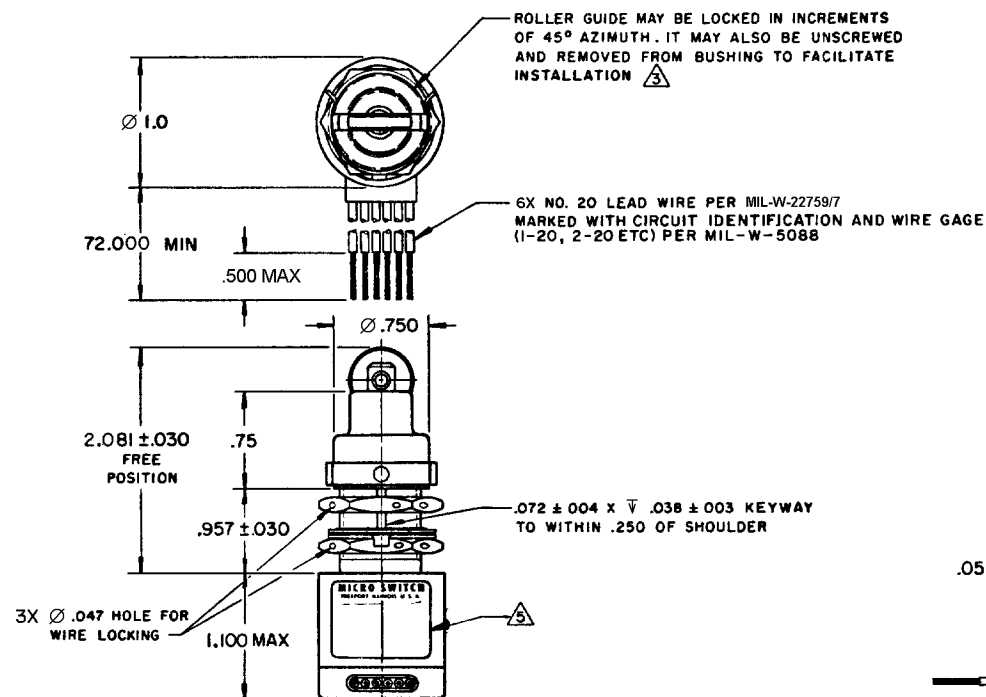
HONEYWELL
PART NUMBER

21EN356-6

FAA-PMA



REV	DOCUMENT	CHANGED BY	CHECK
10	0006859	DVM 28JUL04	AK



NOTES

- 1 - CORROSION RESISTANT STEEL ENCLOSURE
- 2 - SWITCH SEALED PER MIL-PRF-8805, SYMBOL 4
- Δ TO ADJUST ROLLER DIRECTION, REMOVE ROLLER GUIDE LOCK RING, SCREW ROLLER GUIDE DOWN AS FAR AS POSSIBLE, THEN UNSCREW TO DESIRED DIRECTION. SECURE BY REPLACING ROLLER GUIDE LOCK RING
- 4 - COINCIDENCE OF OPERATING AND RELEASING POINTS: .010 OF PLUNGER TRAVEL
- Δ CATALOG LISTING, CIRCUIT DIAGRAM, FED. MFG. CODE, DATE CODE & FAA-PMA ARE SHOWN ON NAMEPLATE
- Δ REPLACEMENT LOCK RING PACKET 15PA137
- Δ HARDWARE MAY BE PACKAGED UNASSEMBLED PER MIL-PRF-8805
- Δ FOR MANUFACTURING DETAIL SEE ASSEMBLY DRAWING 21EN356-6 FOR FAA-PMA
- 9 - WEIGHT 10.5 OZ MAX

CHARACTERISTICS	ELECTRICAL DATA	
OPERATING FORCE --- 6-12 LB	CONTACT ARRANGEMENT	
FULL OVERTRAVEL FORCE --- 30 LB MAX	2X SPDT	
RELEASE FORCE --- 4 LB MIN	LOAD	
PRETRAVEL --- .030 ± .010	28 VDC	
DIFFERENTIAL TRAVEL --- .020 MAX	SEA LEVEL	50,000 FT.
OVERTRAVEL --- .250 MIN	RES	4
	IND	2
	MOTOR	4

DESIGN UNITS: INCH
TOLERANCES UNLESS NOTED:

NO PLACE	X	±	
ONE PLACE	.X	±	0.030
TWO PLACE	.XX	±	0.015
THREE PLACE	.XXX	±	0.005
FOUR PLACE	.XXXX	±	
ANGLES		±	

THIRD ANGLE PROJECTION

DRAWN	TMM	13DEC78
CHECK	CEB	14DEC78
THIS DRAWING COVERS A PROPRIETARY ITEM AND IS THE PROPERTY OF HONEYWELL. THIS DRAWING IS NOT TO BE COPIED OR USED WITHOUT THE PERMISSION OF HONEYWELL.		
INTERPRET PER ANSI Y14.5M-1994 OTHER HONEYWELL ENGINEERING STANDARDS MAY APPLY		
RASTER		

Honeywell			
TITLE SWITCH - ENCLOSED			
SIZE	TYPE	DRAWING NAME	REV
B	I	21EN356-6	10
SCALE	FULL	SHEET	1 OF 1

Mouser Electronics

Authorized Distributor

Click to View Pricing, Inventory, Delivery & Lifecycle Information:

[Honeywell:](#)

[21EN356-6](#)