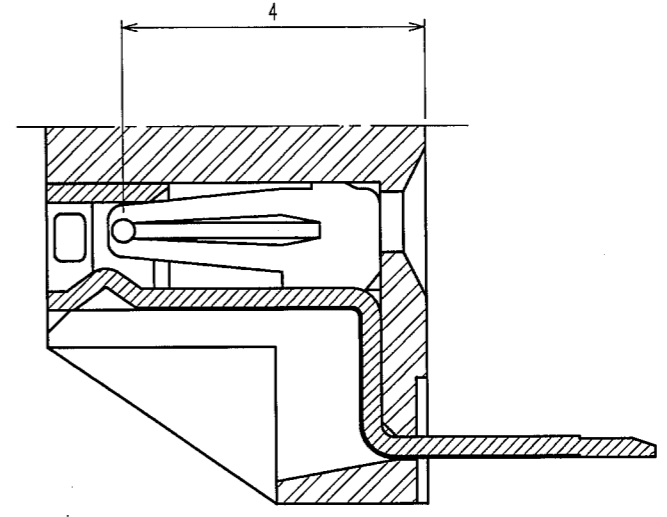
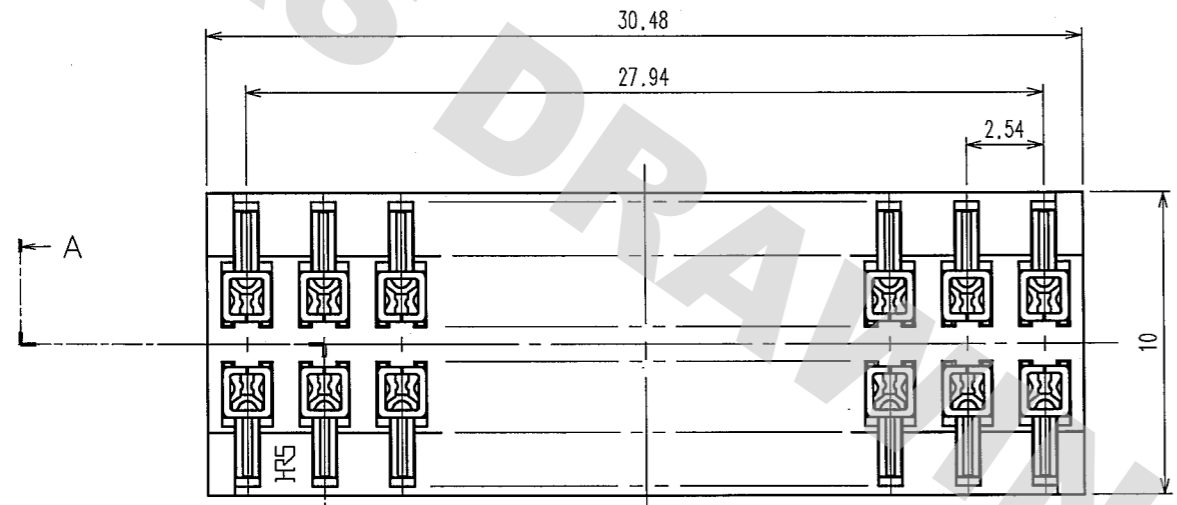
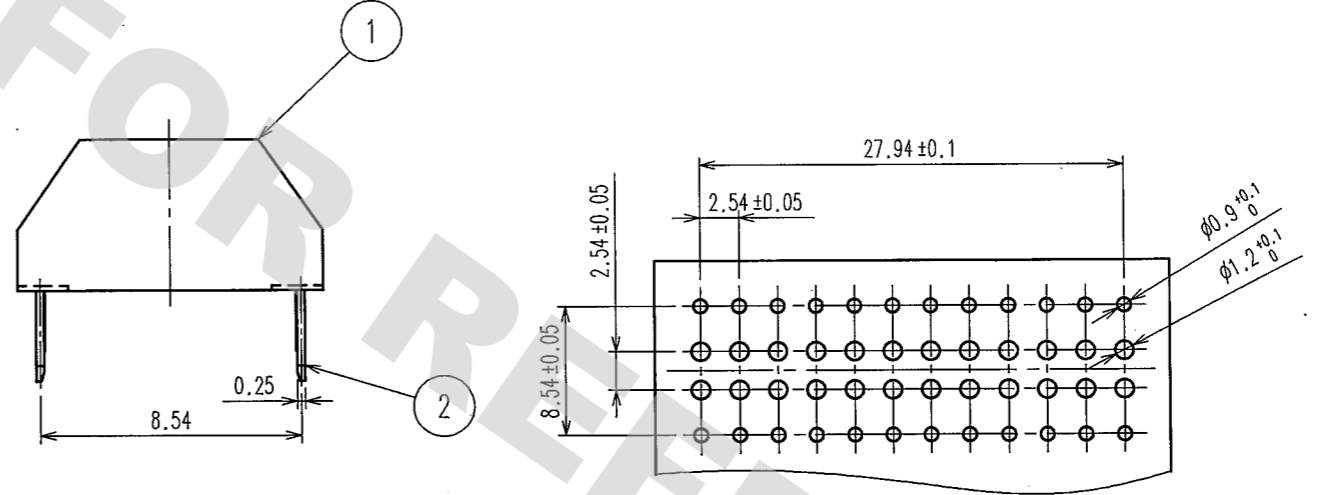
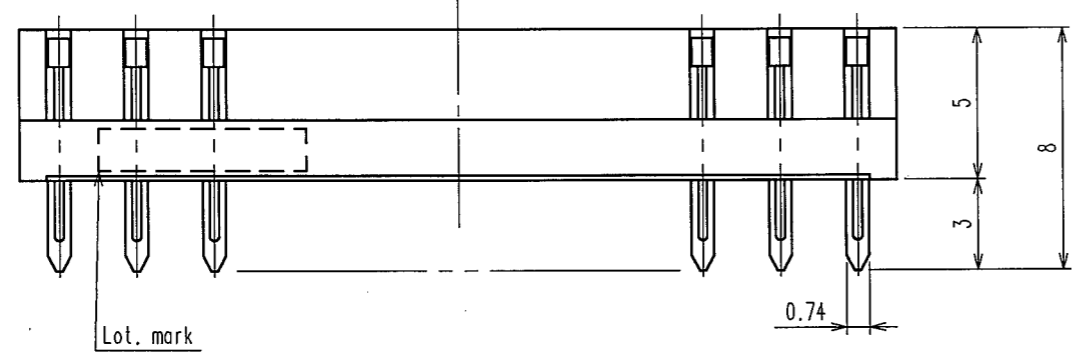


ELV. RoHS

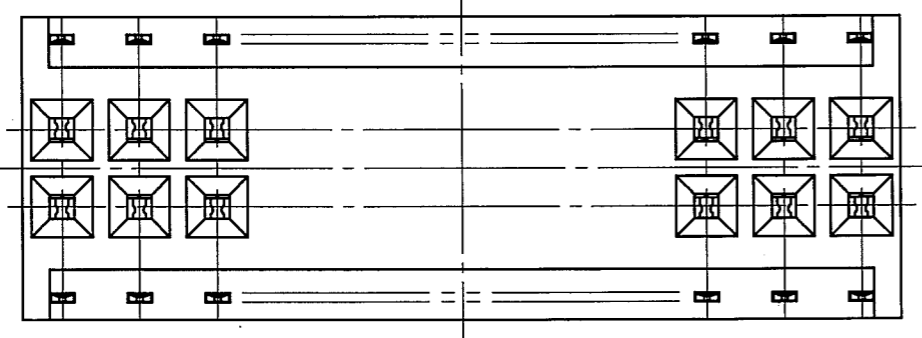
COUNT	DESCRIPTION OF REVISIONS	BY	CHKD	DATE	COUNT	DESCRIPTION OF REVISIONS	BY	CHKD	DATE
△				..	△				..
△				..	△				..
△				..	△				..



A-A (10:1)



PCB Layout detail (2:1)



DRAWING FOR REFERENCE: This is subject to change without notice
08/11/2012

TO
AMC

1	PA	Black	2	Phosphor Bronze	Tin plated
NO.	MATERIAL	FINISH, REMARKS	NO.	MATERIAL	FINISH, REMARKS
CODE NO. (OLD) CL?		DRAWN	DESIGNED	CHECKED	APPROVED
		T. SAKASHITA	T. SAKASHITA	A. Shioi	K. Aoto
		'06.10.23	'06.10.23	'06.10.23	'06.10.23
DRAWING NO. EDC3-071108-01		PART NO. GT9-24D-2.54DSA(70)			
SCALE 4 : 1		CODE NO. CL759-0003-0-70		1/1	
UNITS mm		HIROSE ELECTRIC CO., LTD			

Mouser Electronics

Authorized Distributor

Click to View Pricing, Inventory, Delivery & Lifecycle Information:

[Hirose Electric:](#)

[GT9-24D-2.54DSA\(70\)](#)