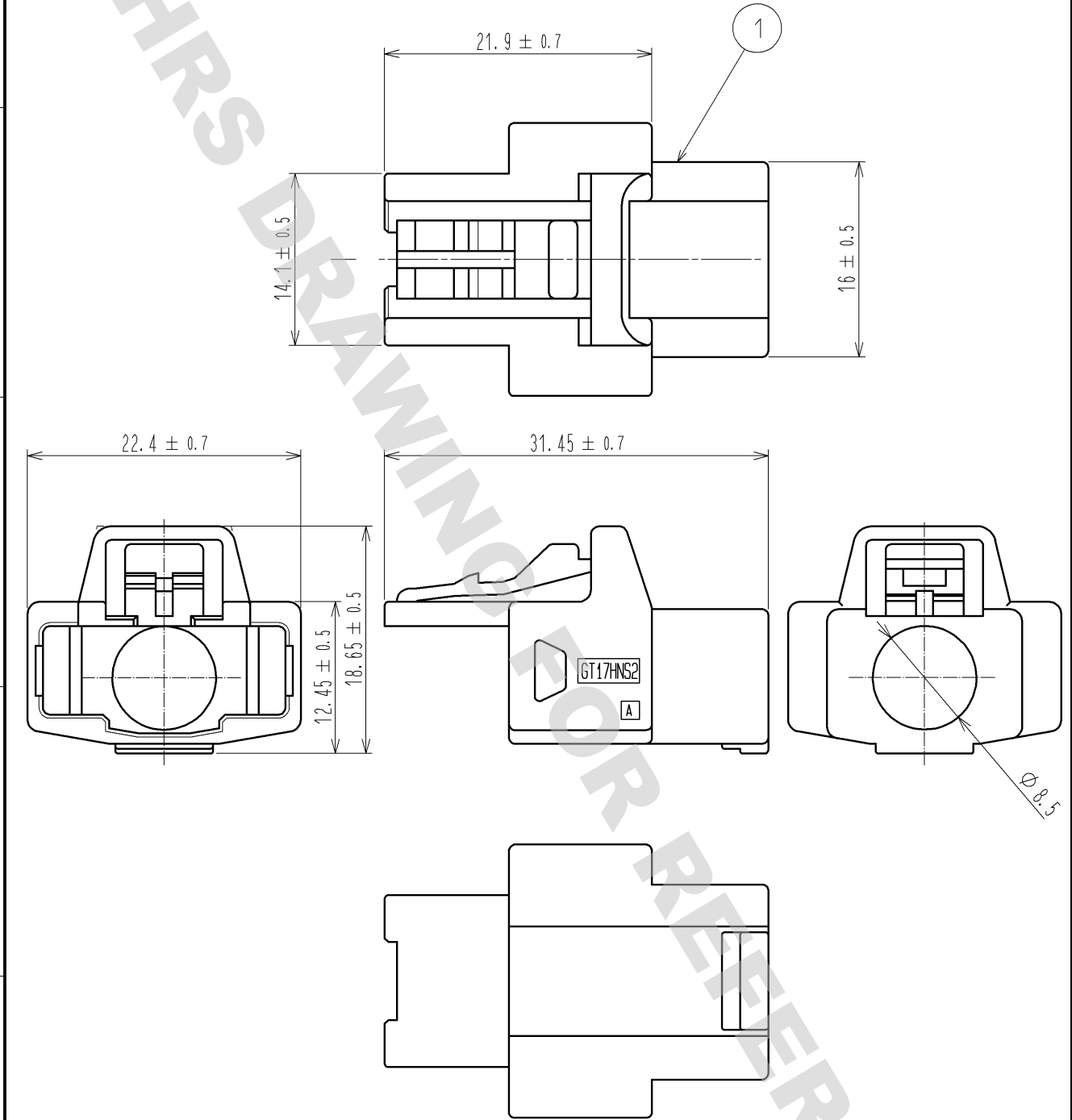


ELV, RoHS COMPLIANT



APPLICABLE CABLE DIAMETER $\phi 8 \pm 0.2$

1	PBT	Dark Gray						
NO.	MATERIAL	FINISH	REMARKS	NO.	MATERIAL	FINISH	REMARKS	
UNITS mm		SCALE 2 : 1	COUNT 	DESCRIPTION OF REVISIONS		DESIGNED	CHECKED	DATE
HIROSE ELECTRIC CO., LTD.		APPROVED : AR. SHIRAI	09.08.06	DRAWING NO.		EDC4-167166-00		
		CHECKED : NH. NAKATA	09.08.05	PART NO.		GT17HNS2-16DS-HU		
		DESIGNED : MH. SHOUJI	09.08.05	CODE NO.		CL767-0191-6-00		
		DRAWN : HA. SHIMIZU	09.08.03					1/1

Mouser Electronics

Authorized Distributor

Click to View Pricing, Inventory, Delivery & Lifecycle Information:

[Hirose Electric:](#)

[GT17HNS2-16DS-HU](#)