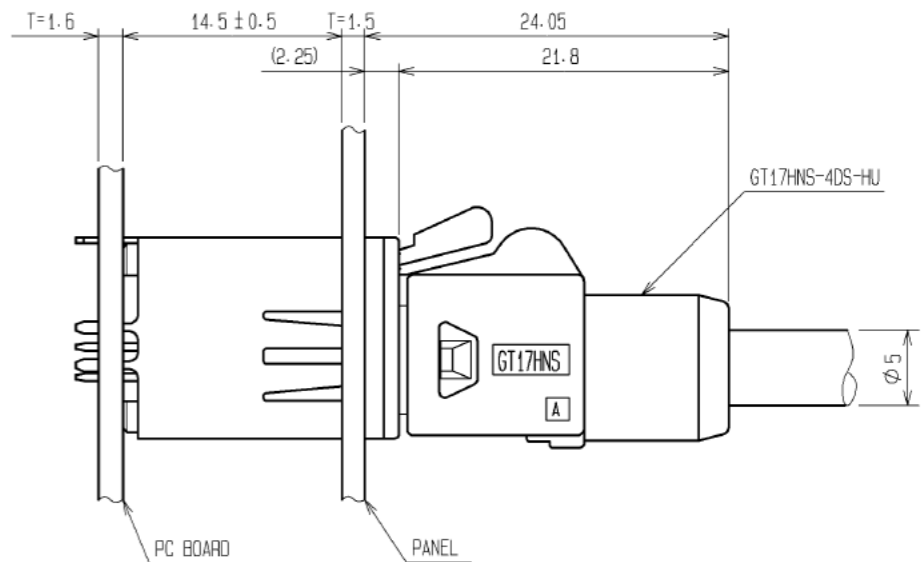
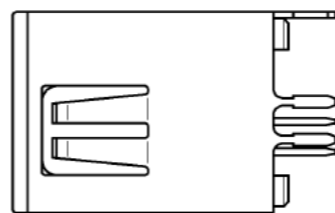
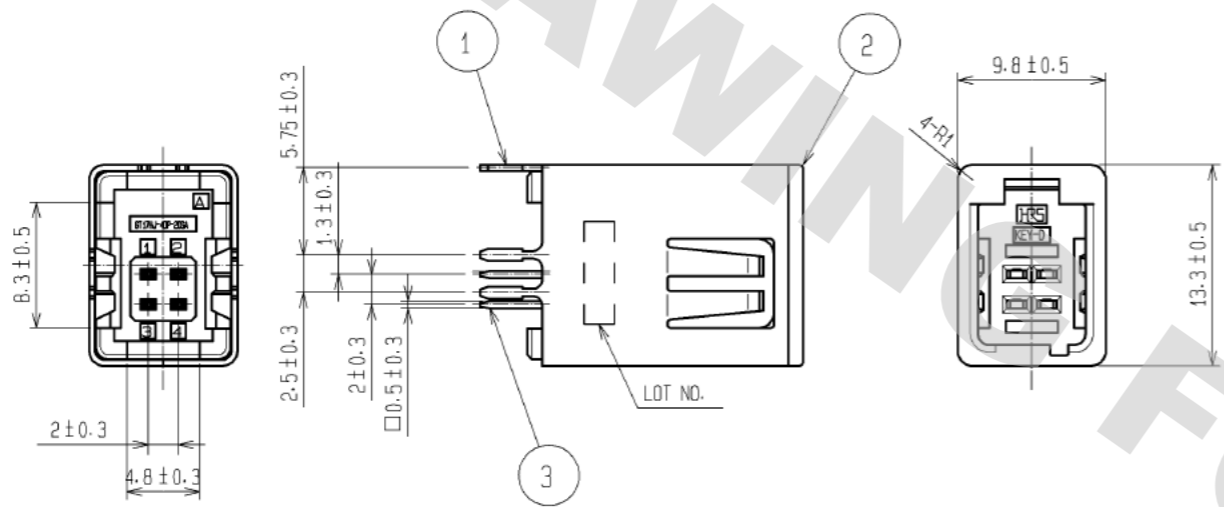
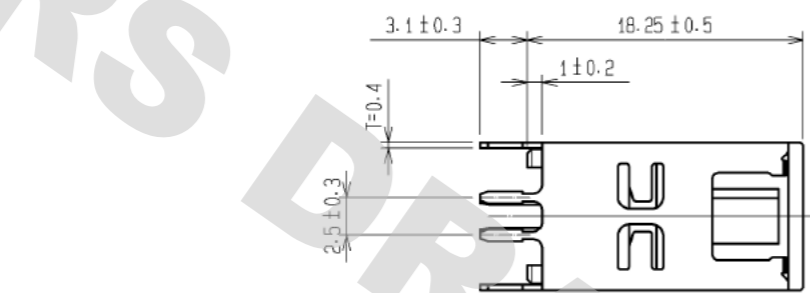
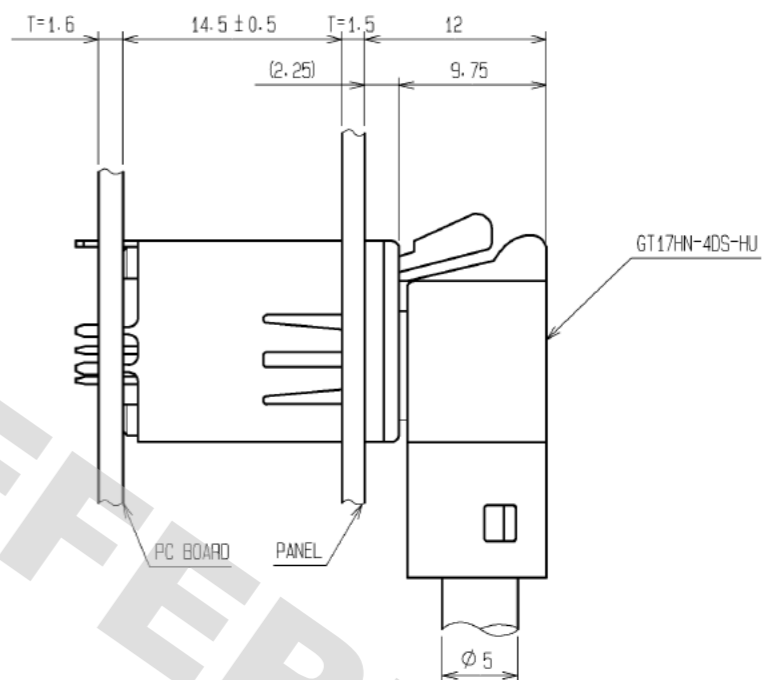


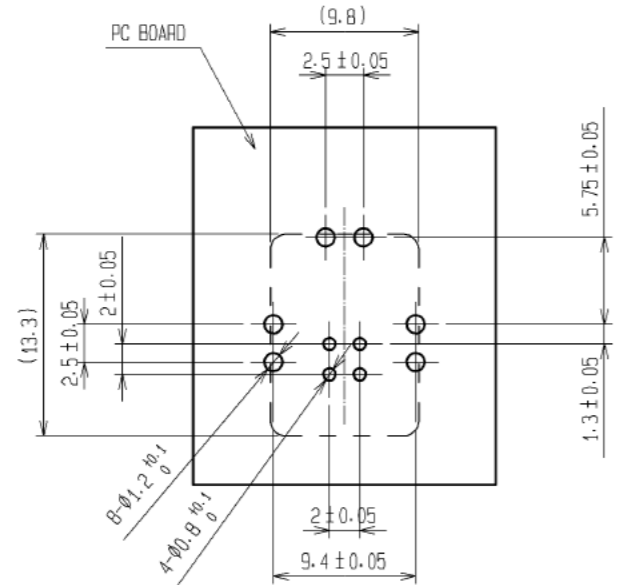
ELV, RoHS COMPLIANT



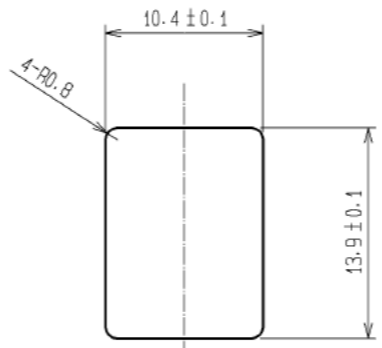
MATED CONNECTORS



MATED CONNECTORS



RECOMMENDED PC BOARD LAYOUT

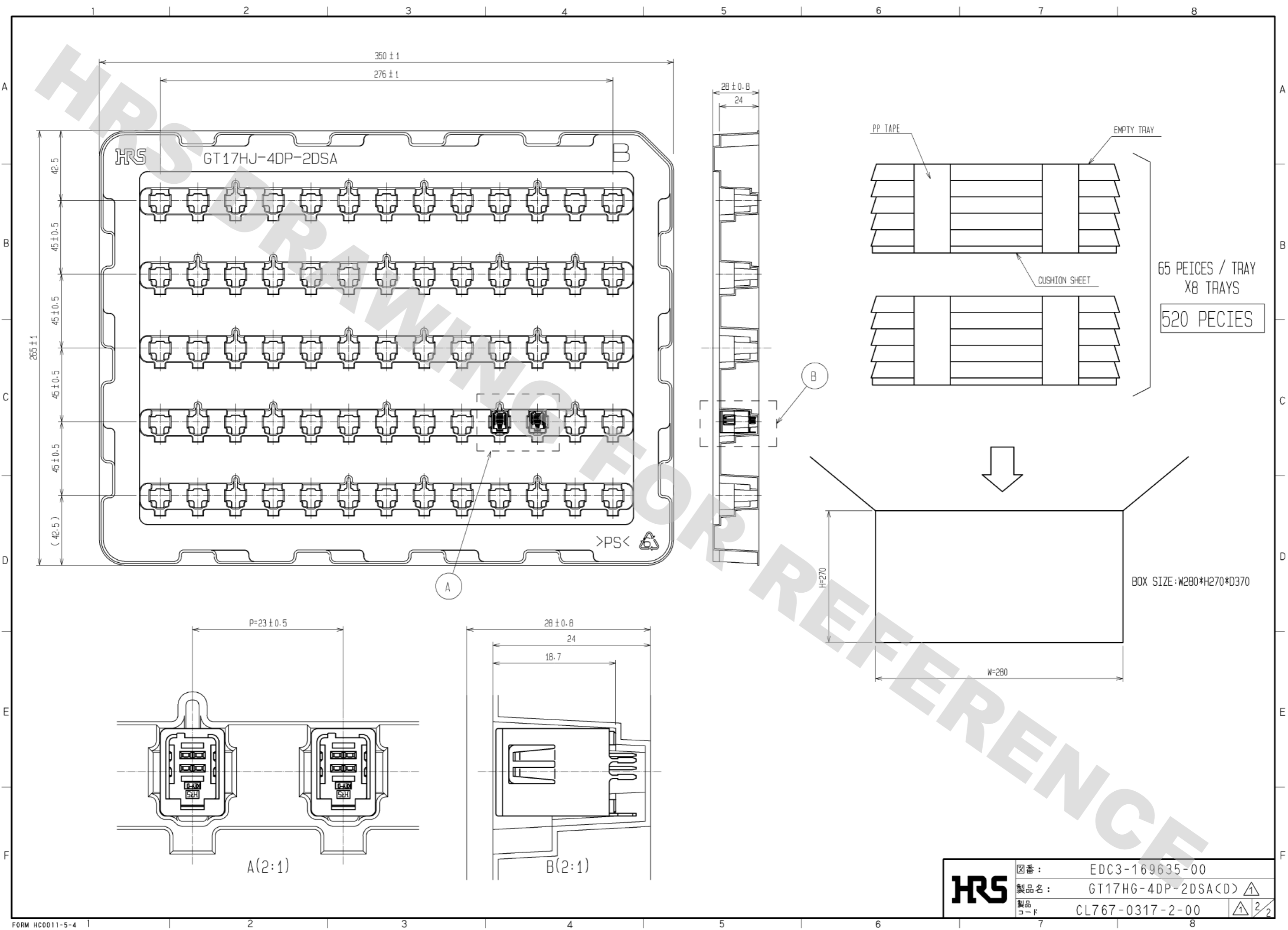


RECOMMENDED PANEL CUTOUT

| | | | | | | |
|--------------------------------------|--------------|--------------------------|-------------------------|--------------------------|-------------------------|---------------------|
| 2 | PPS | BLACK | | 3 | BRASS | TIN PLATED |
| 1 | COPPER ALLOY | TIN PLATED | | | | |
| 部番 | 材質 | 処理, 備考 | 部番 | 材質 | 処理, 備考 | |
| UNITS mm | | SCALE 2 : 1 | △の数 2 | 訂正記事 DIS-T-003020 | 設計 NK. IKUTA | 検 TS. KUBOTA |
| HRS HIROSE ELECTRIC CO., LTD. | | 承認 : AR. SHIRAI 12.09.25 | 検 : AR. SHIRAI 12.09.25 | 設計 : TS. KUBOTA 12.09.25 | 製 : TS. KUBOTA 12.09.25 | 図番 : EDC3-169635-00 |
| | | | | 製品名 : GT17HG-4DP-2DSA(D) | | 年月日 12.11.09 |
| | | | | 製品コード : CL767-0317-2-00 | | 年月日 12.11.09 |

DRAWING FOR REFERENCE: This is subject to change without notice
05/31/2013

DRAWING FOR REFERENCE: This is subject to change without notice
05/31/2013



| | | | |
|------------|--------|--------------------|-------|
| HRS | 図番: | EDC3-169635-00 | |
| | 製品名: | GT17HG-4DP-2DSA(D) | △ |
| | 製品コード: | CL767-0317-2-00 | △ 2/2 |

Mouser Electronics

Authorized Distributor

Click to View Pricing, Inventory, Delivery & Lifecycle Information:

[Hirose Electric:](#)

[GT17HG-4DP-2DSA\(D\)](#)