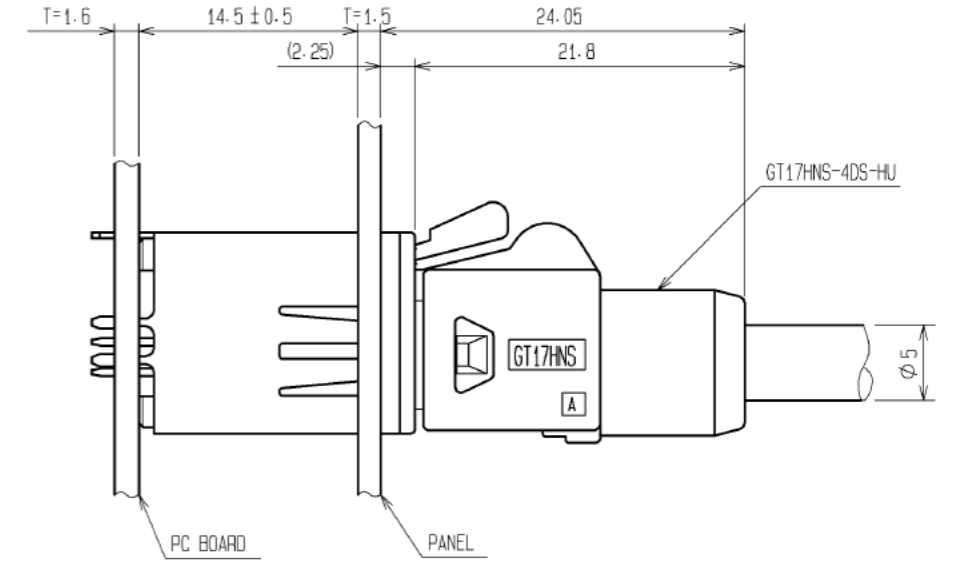
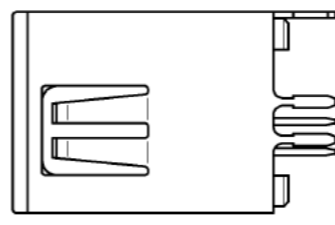
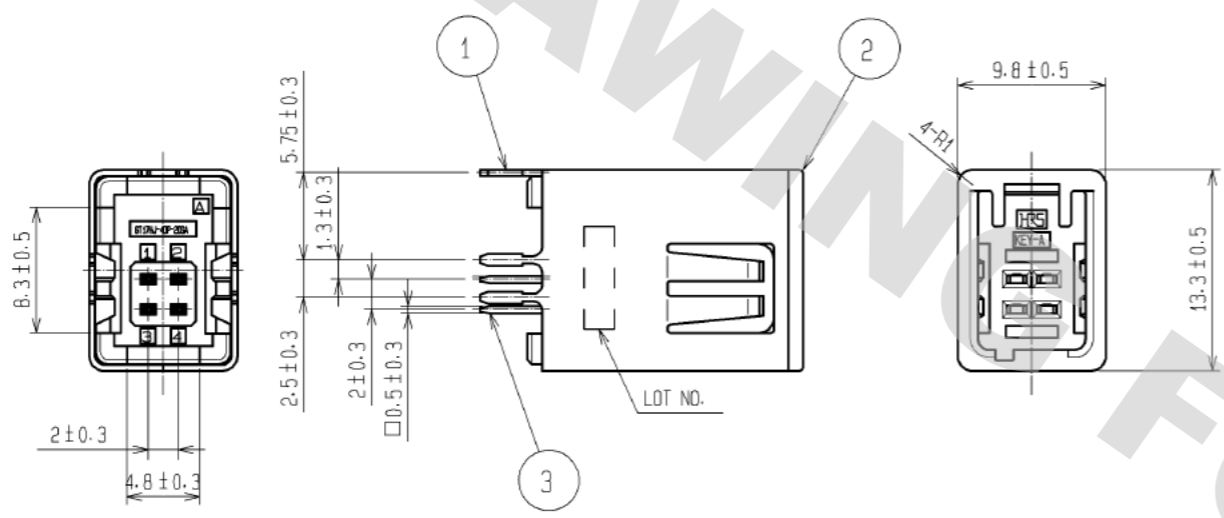
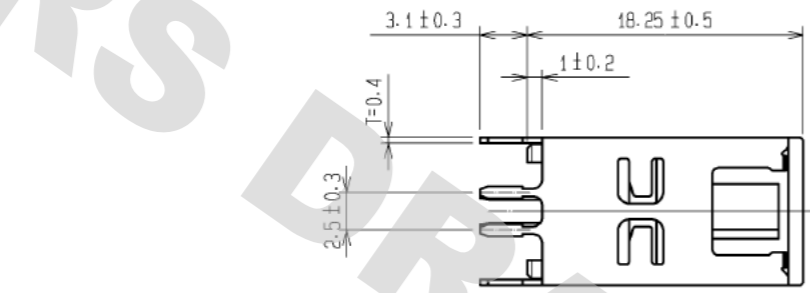
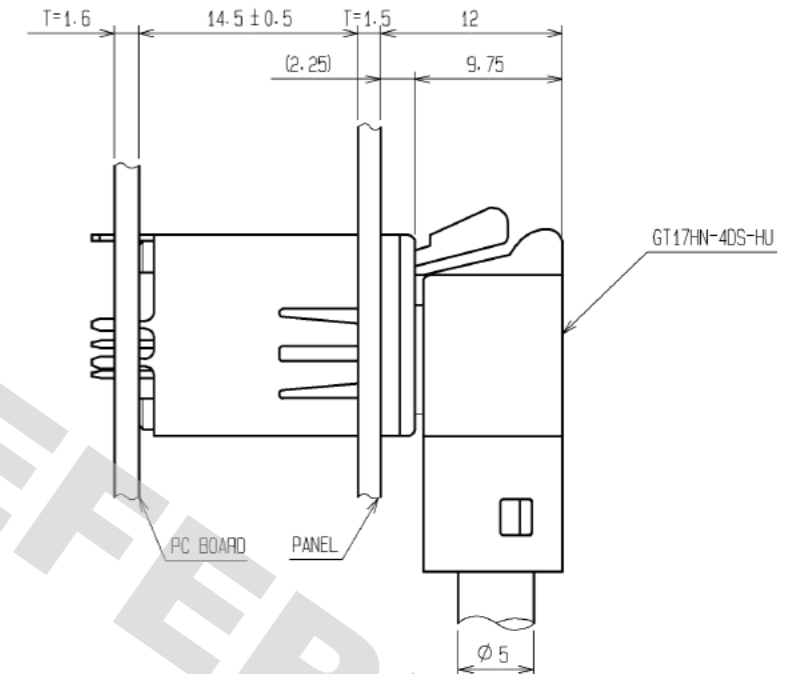


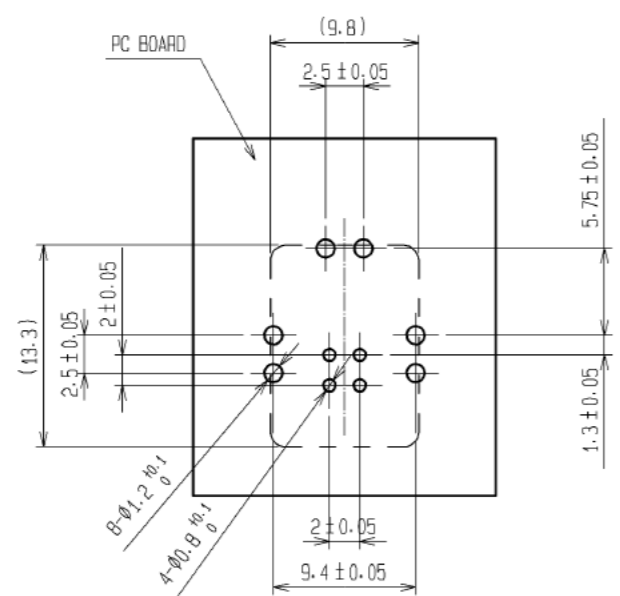
ELV・RoHS COMPLIANT



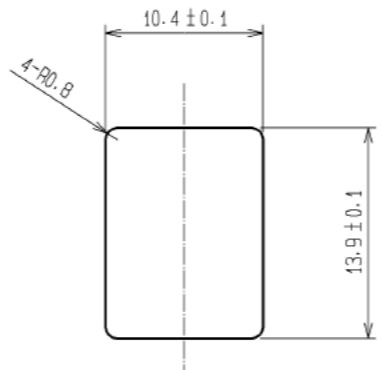
MATED CONNECTORS



MATED CONNECTORS



RECOMMENDED PC BOARD LAYOUT

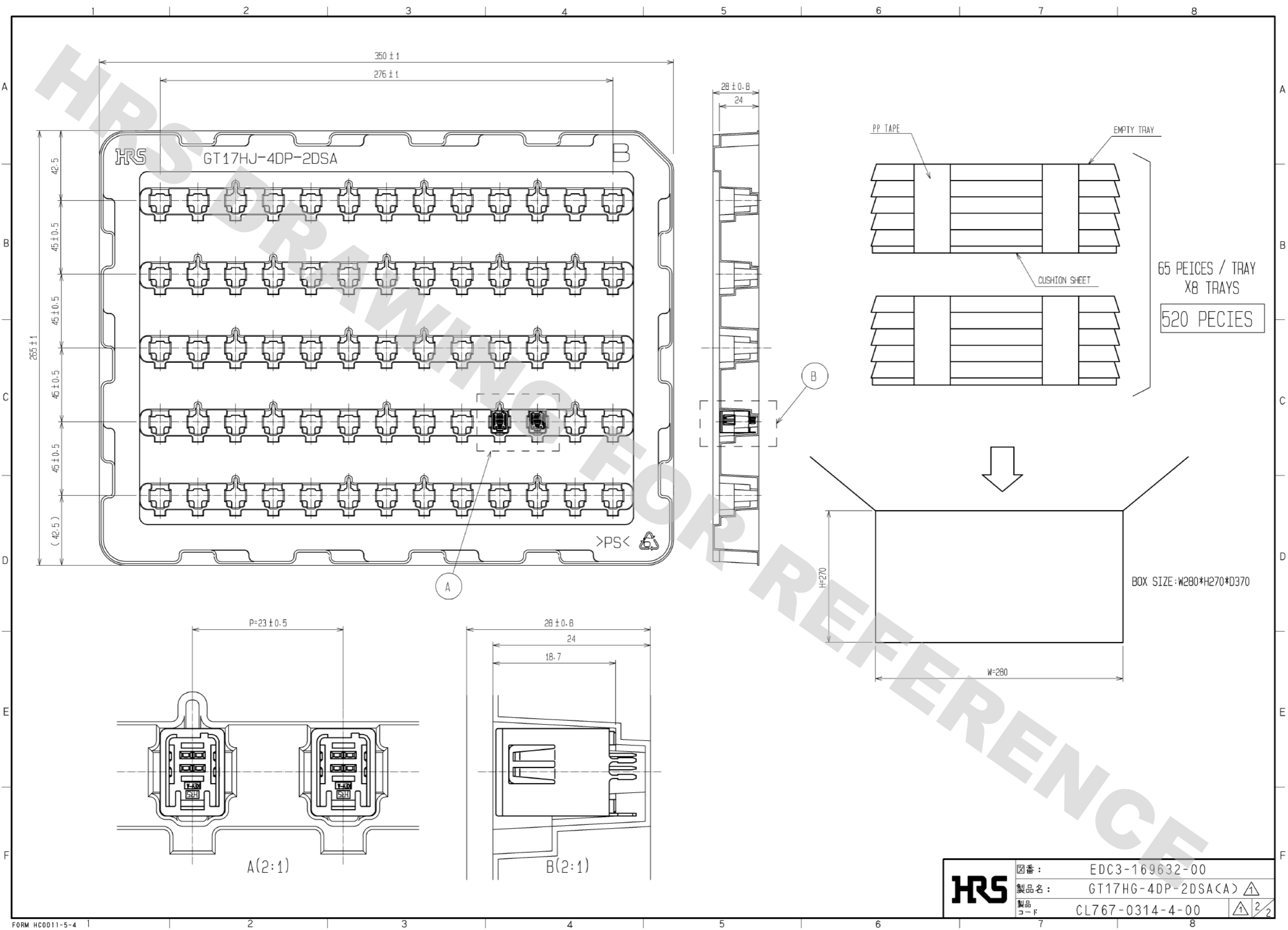


RECOMMENDED PANEL CUTOUT

2	PPS	BROWN		3	BRASS	TIN PLATED
1	COPPER ALLOY	TIN PLATED				
部番	材質	処理, 備考	部番	材質	処理, 備考	
UNITS mm		SCALE 2 : 1	△の数 2	訂正記事 DIS-T-003020	設計 NK. IKUTA	検 TS. KUBOTA
HRS HIROSE ELECTRIC CO., LTD.		承認 : AR. SHIRAI 12.09.25	検 : AR. SHIRAI 12.09.25	設計 : TS. KUBOTA 12.09.25	製 : TS. KUBOTA 12.09.25	図番 : EDC3-169632-00
				製品名 : GT17HG-4DP-2DSA(A)	年月日 12.11.09	
				製品コード : CL767-0314-4-00	1/2	

DRAWING FOR REFERENCE: This is subject to change without notice
05/31/2013

DRAWING FOR REFERENCE: This is subject to change without notice
05/31/2013



HRS	図番:	EDC3-169632-00	
	製品名:	GT17HG-4DP-2DSA(A)	
	製品コード:	CL767-0314-4-00	2/2

Mouser Electronics

Authorized Distributor

Click to View Pricing, Inventory, Delivery & Lifecycle Information:

[Hirose Electric:](#)

[GT17HG-4DP-2DSA\(A\)](#)