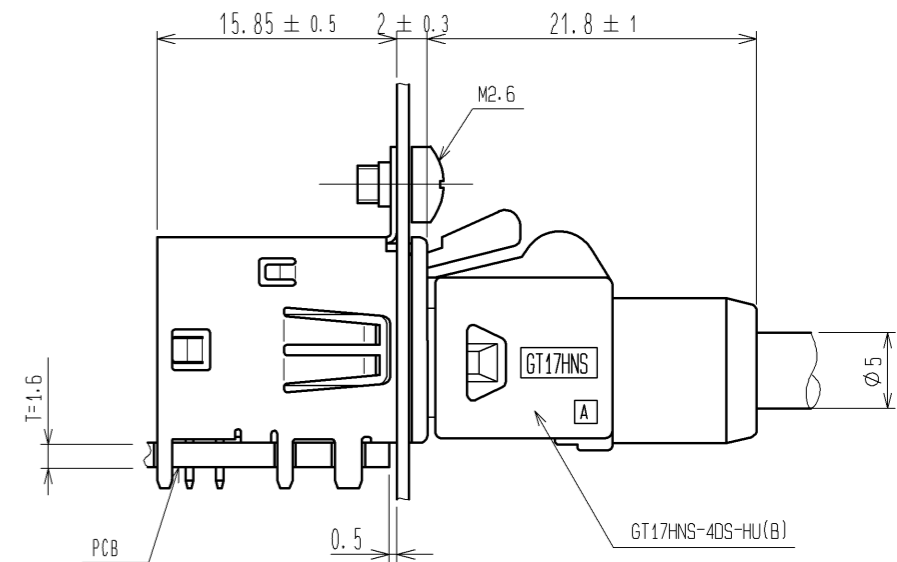
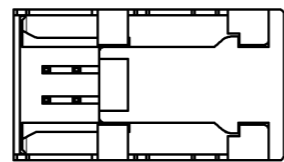
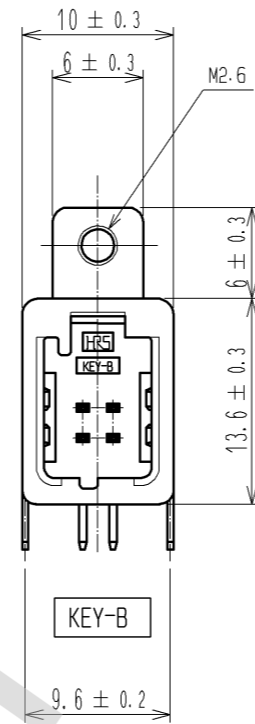
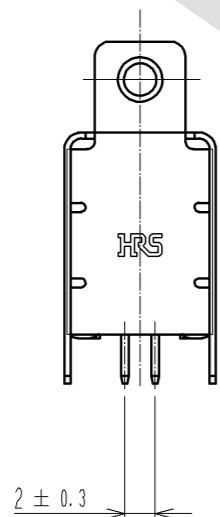
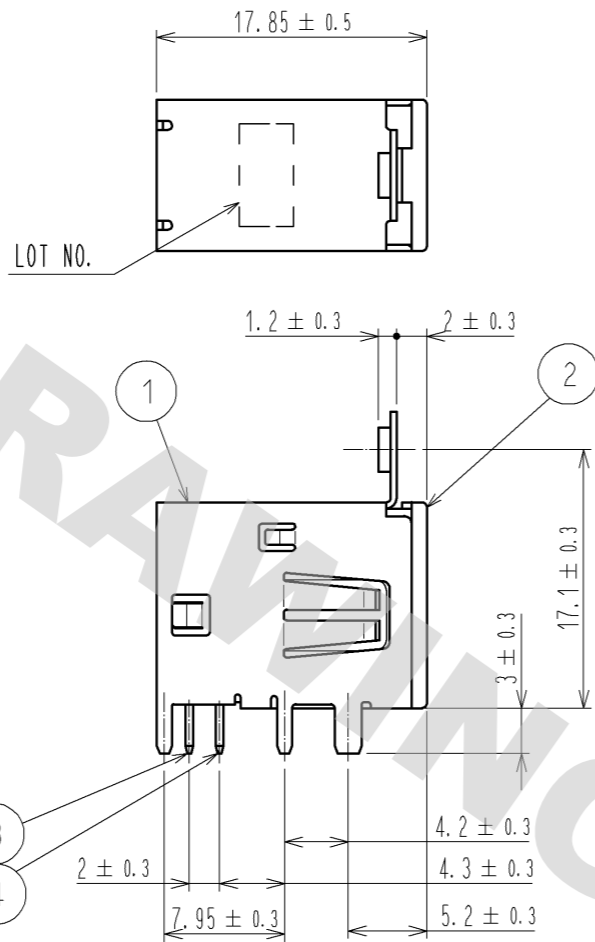
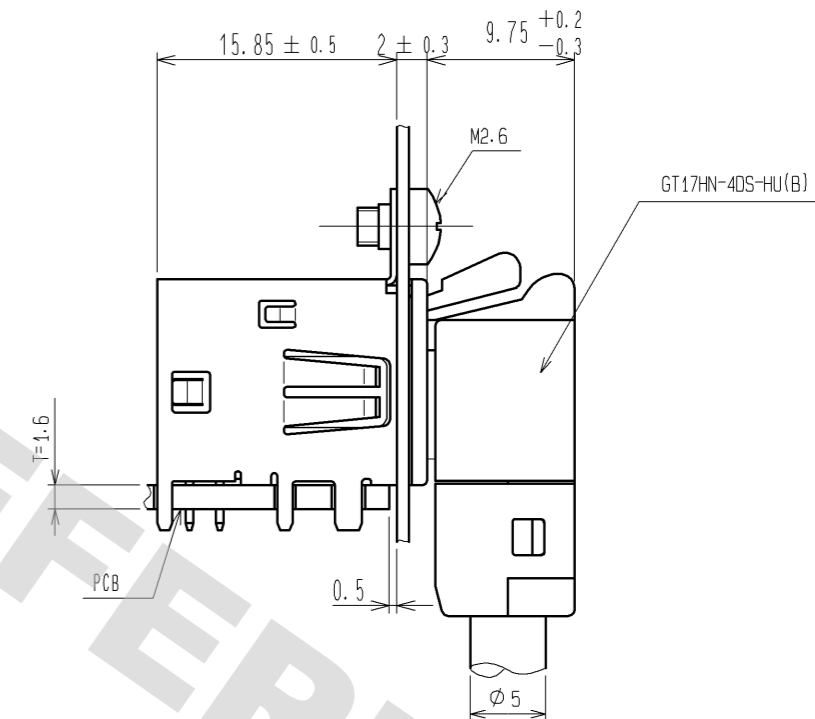


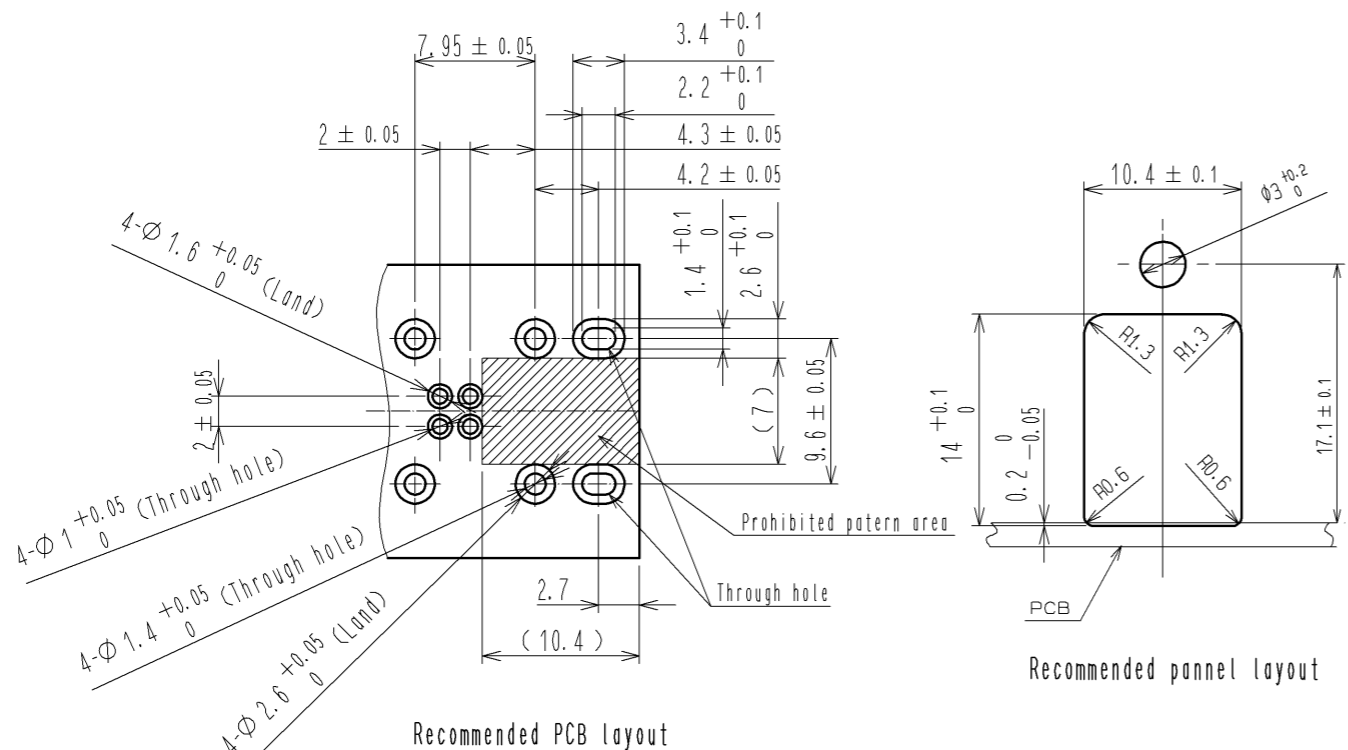
ELV, RoHS Compliant



Mated connector



Mated connector



Recommended PCB layout

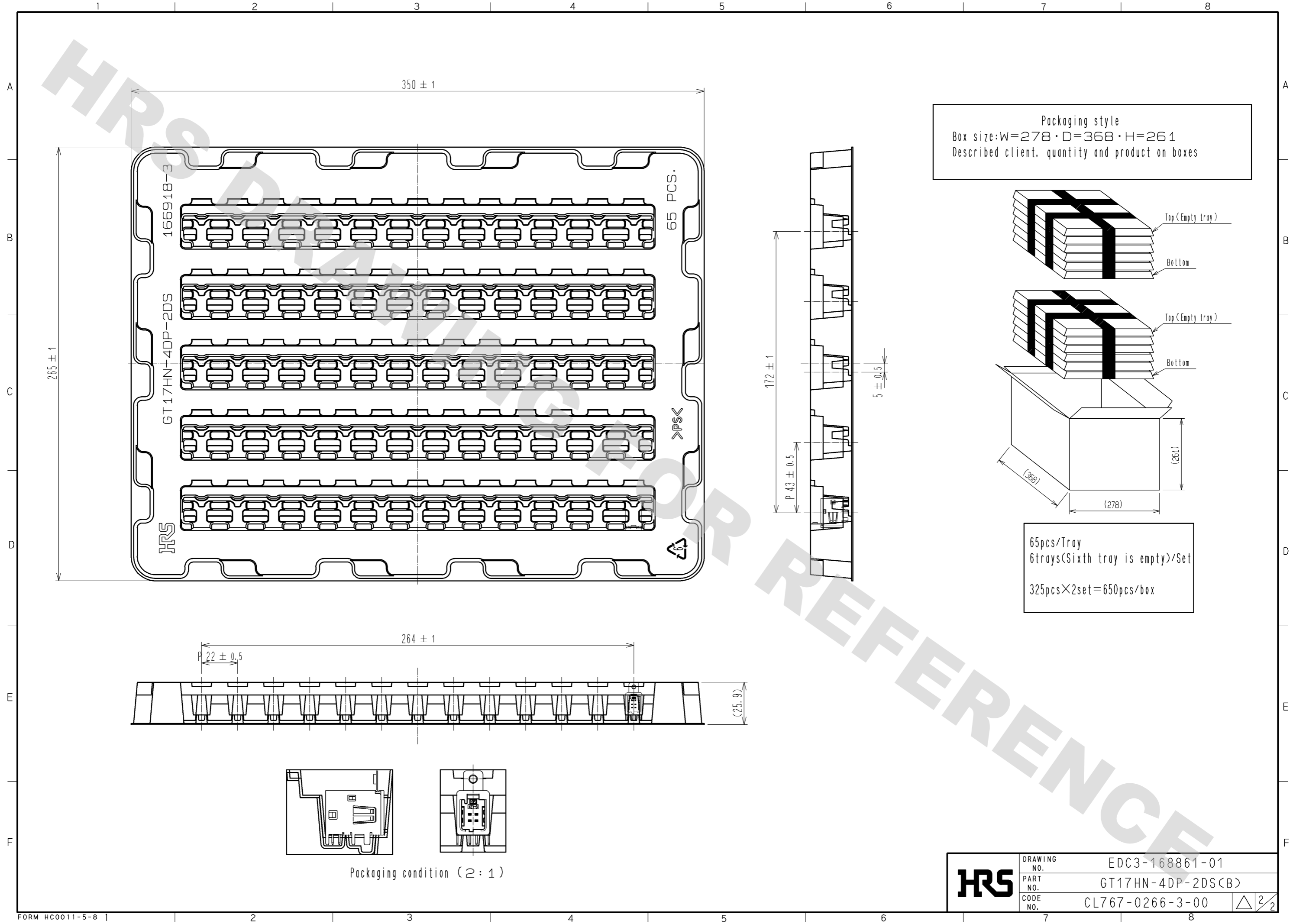
Recommended panel layout

(Dimension from PCB surface to screw hole)

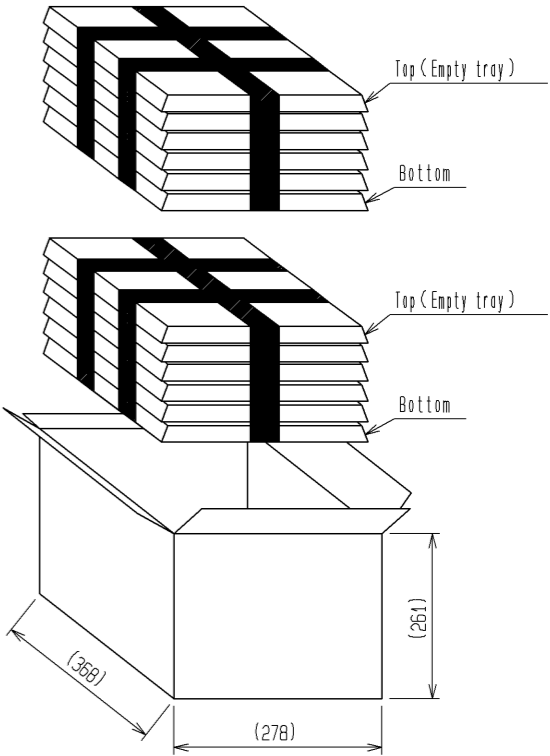
2	PBT	Green	4	Brass	Tin plating
1	Copper alloy	Tin plating	3	Brass	Tin plating
NO.	MATERIAL	FINISH . REMARKS	NO.	MATERIAL	FINISH . REMARKS
UNITS	mm	SCALE	2 : 1	COUNT	△
DESCRIPTION OF REVISIONS		DESIGNED	CHECKED	DATE	
APPROVED : AR. SHIRAI		12.02.08	DRAWING NO. EDC3-168861-01		
CHECKED : NH. NAKATA		12.02.07	PART NO. GT17HN-4DP-2DS(B)		
DESIGNED : KK. FURUKAWA		12.02.07	CODE NO. CL767-0266-3-00		
DRAWN : KH. NAKAMURA		12.02.06	1/2		

DRAWING FOR REFERENCE: This is subject to change without notice
08/11/2012

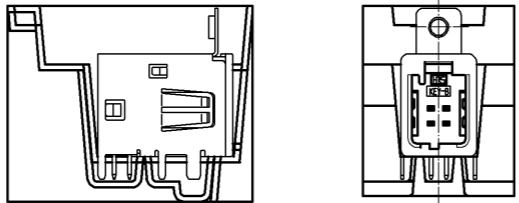
DRAWING FOR REFERENCE: This is subject to change without notice
08/11/2012



Packaging style
 Box size: W=278 · D=368 · H=261
 Described client, quantity and product on boxes



65pcs/Tray
 6trays(Sixth tray is empty)/Set
 325pcs×2set=650pcs/box



Packaging condition (2:1)

HRS	DRAWING NO.	EDC3-168861-01	△ 2/2
	PART NO.	GT17HN-4DP-2DS(B)	
	CODE NO.	CL767-0266-3-00	

Mouser Electronics

Authorized Distributor

Click to View Pricing, Inventory, Delivery & Lifecycle Information:

[Hirose Electric:](#)

[GT17HN-4DP-2DS\(B\)](#)