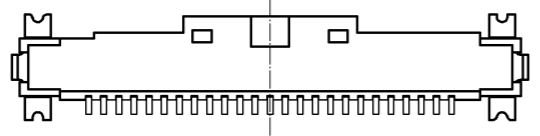
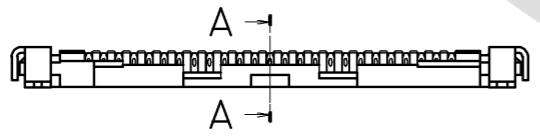
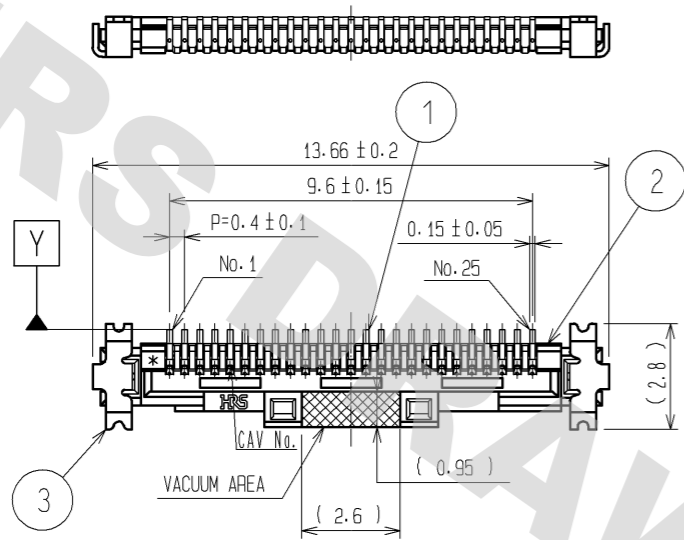
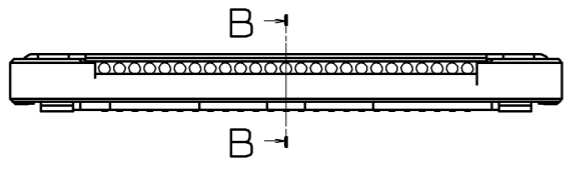
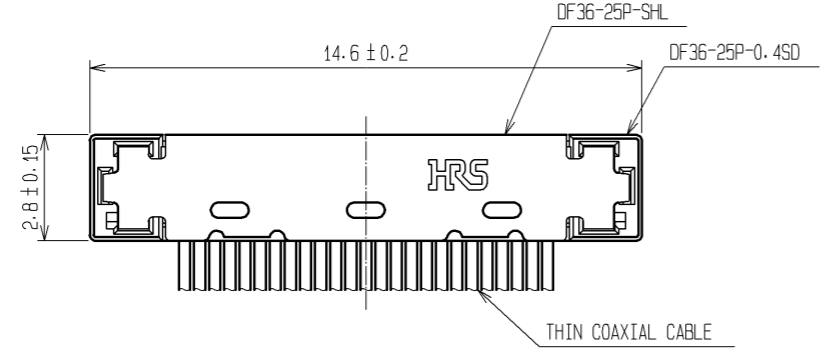


DRAWING FOR REFERENCE: This is subject to change without notice
08/11/2012

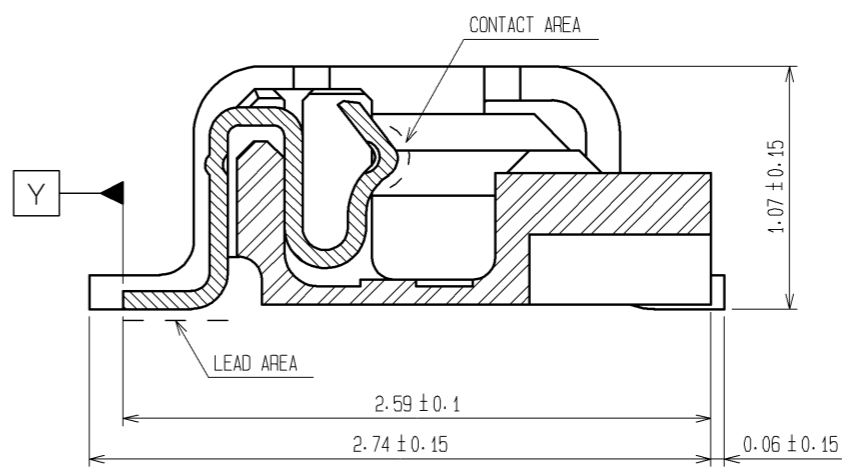


MATING FIGURE

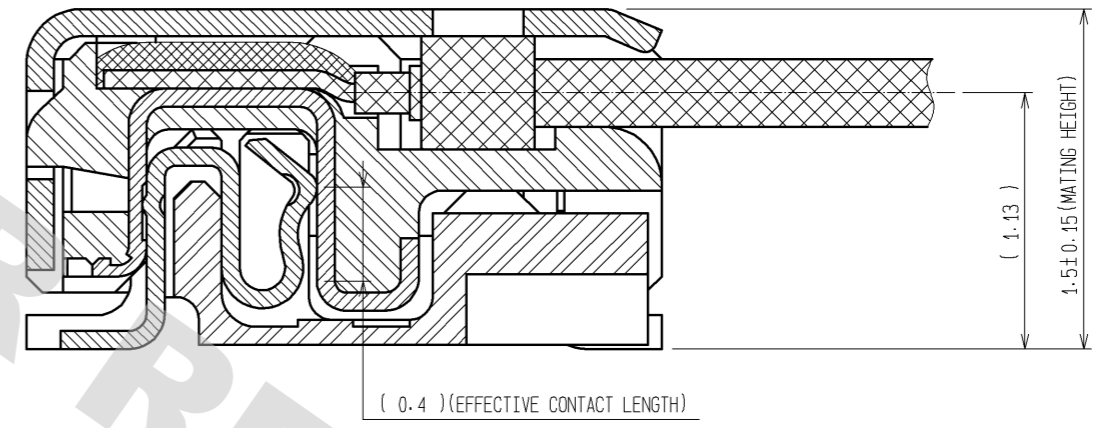


- NOTES
 1. LEAD CO-PLANARITY SHALL BE 0.10mm MAX.
 2. UNMATING SHALL BE DONE WITH THE SPECIFIC EXTRACTION TOOL.

A-A (FREE)

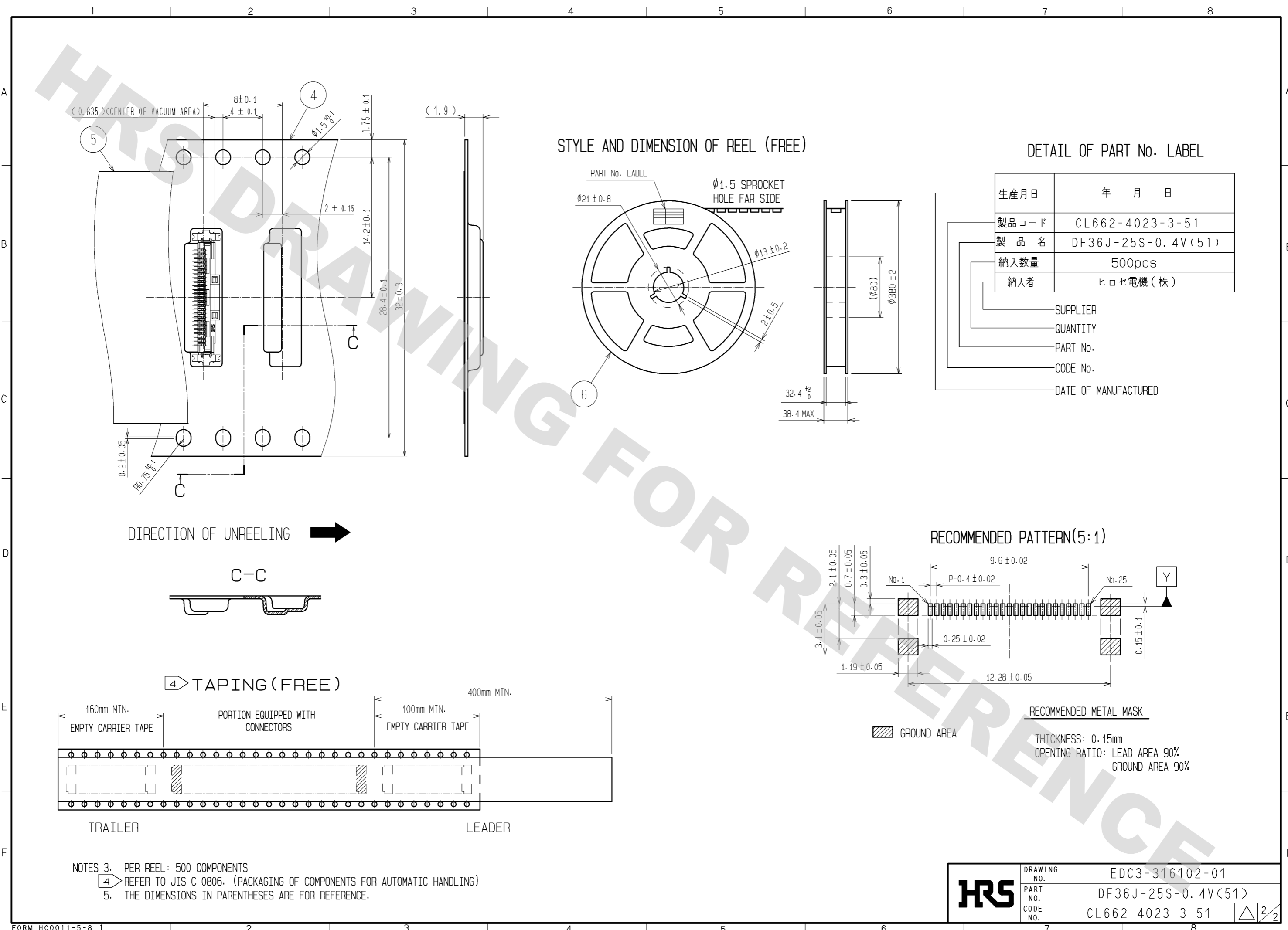


B-B (FREE)



2	LCP	UL94V-0 . BLACK	6	PS	BLACK		
1	PHOSPHOR BRONZE	CONTACT AREA : Au PLATING 0.3µm min LEAD AREA : Au PLATING 0.1µm min UNDER PLATING : Ni PLATING 2µm min	5	POLYESTER	CLEAR		
			4	PS	CLEAR		
			3	PHOSPHOR BRONZE	WHOLE AREA : Au PLATING 0.1µm min UNDER PLATING : Ni PLATING 2µm min		
NO.	MATERIAL	FINISH . REMARKS	NO.	MATERIAL	FINISH . REMARKS		
UNITS	mm	SCALE 5 : 1	COUNT 1	DESCRIPTION OF REVISIONS	DESIGNED	CHECKED	DATE
HRS HIROSE ELECTRIC CO., LTD.		APPROVED : TS. SAKATA 11.10.21	DRAWING NO. EDC3-316102-01				
		CHECED : IO. DENPOUYA 11.10.21	PART NO. DF36J-25S-0.4V(51)				
		DESIGNED : TP. MATSUMOTO 11.10.21	CODE NO. CL662-4023-3-51				
		DRAWN : YK. NAKATSU 09.03.27					1/2

DRAWING FOR REFERENCE: This is subject to change without notice
08/11/2012



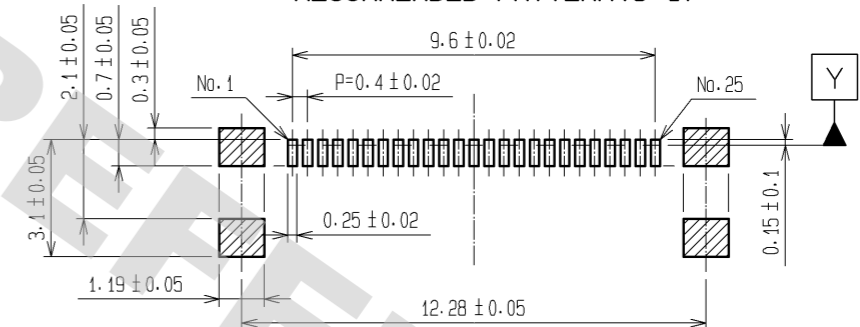
STYLE AND DIMENSION OF REEL (FREE)

DETAIL OF PART No. LABEL

生産月日	年 月 日
製品コード	CL662-4023-3-51
製品名	DF36J-25S-0.4V(51)
納入数量	500pcs
納入者	ヒロセ電機(株)

_____ SUPPLIER
 _____ QUANTITY
 _____ PART No.
 _____ CODE No.
 _____ DATE OF MANUFACTURED

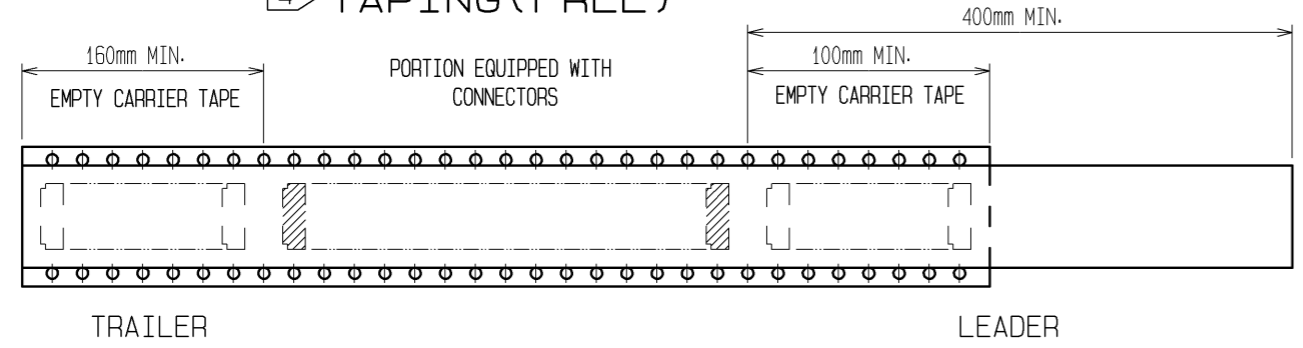
RECOMMENDED PATTERN(5:1)



RECOMMENDED METAL MASK

[Hatched Box] GROUND AREA
 THICKNESS: 0.15mm
 OPENING RATIO: LEAD AREA 90%
 GROUND AREA 90%

4 TAPING (FREE)



- NOTES
- PER REEL: 500 COMPONENTS
 - 4 REFER TO JIS C 0806. (PACKAGING OF COMPONENTS FOR AUTOMATIC HANDLING)
 5. THE DIMENSIONS IN PARENTHESES ARE FOR REFERENCE.

HRS	DRAWING NO.	EDC3-316102-01
	PART NO.	DF36J-25S-0.4V(51)
	CODE NO.	CL662-4023-3-51
		△ 2/2

Mouser Electronics

Authorized Distributor

Click to View Pricing, Inventory, Delivery & Lifecycle Information:

[Hirose Electric:](#)

[DF36J-25S-0.4V\(51\)](#)