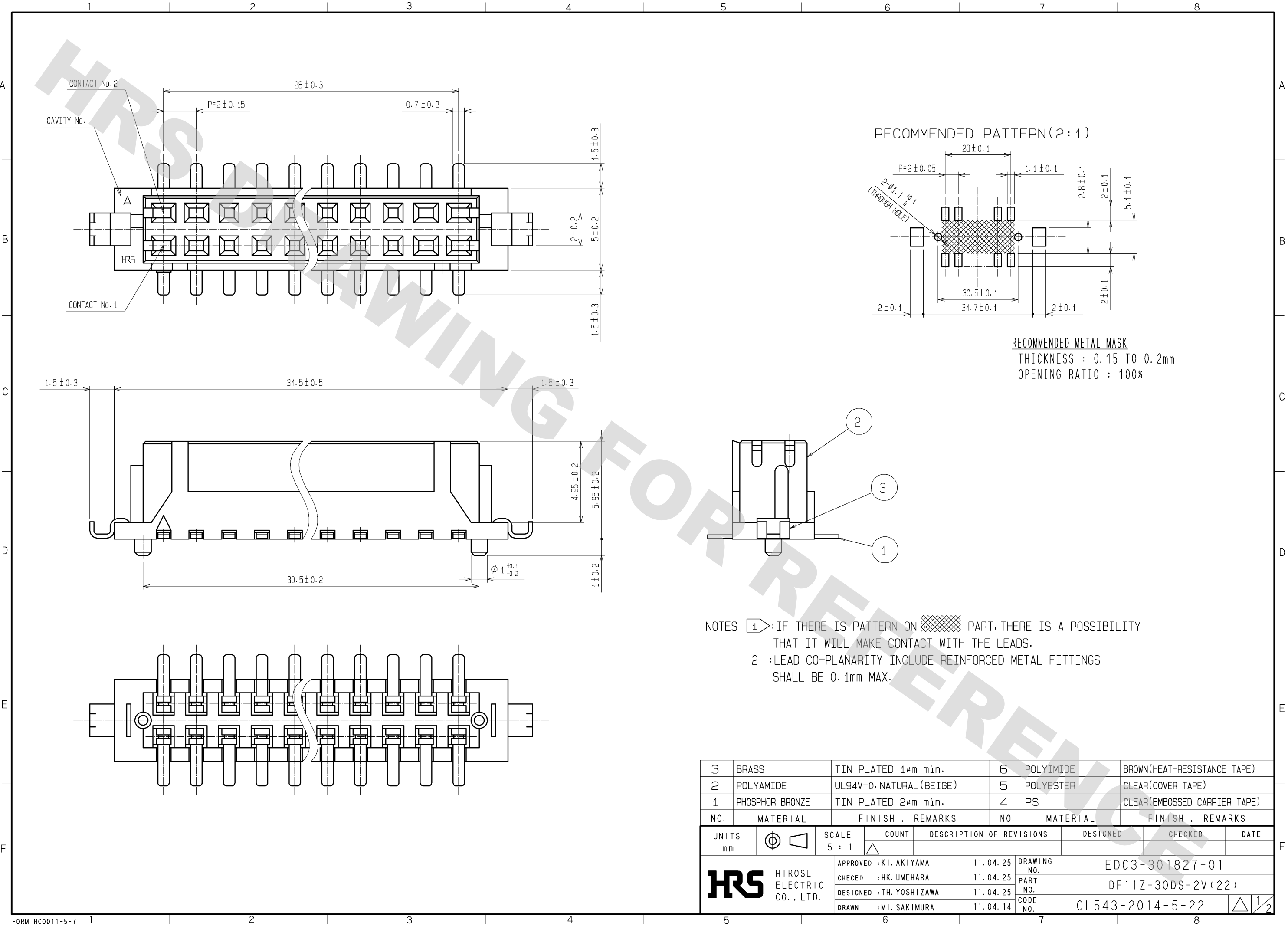


DRAWING FOR REFERENCE: This is subject to change without notice  
08/11/2012



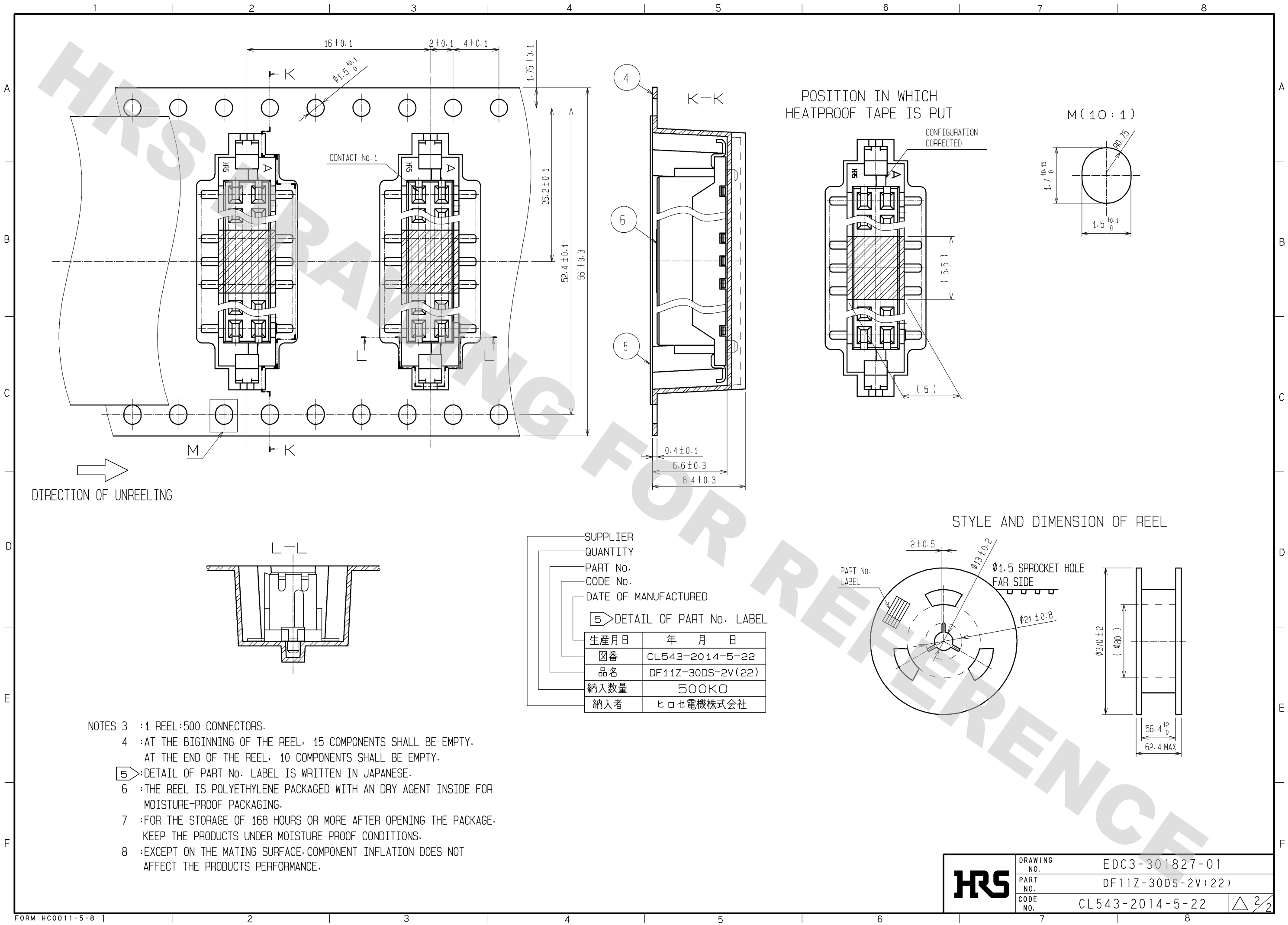
NOTES 1 : IF THERE IS PATTERN ON PART, THERE IS A POSSIBILITY THAT IT WILL MAKE CONTACT WITH THE LEADS.  
2 : LEAD CO-PLANARITY INCLUDE REINFORCED METAL FITTINGS SHALL BE 0.1mm MAX.

3	BRASS	TIN PLATED 1μm min.	6	POLYIMIDE	BROWN(HEAT-RESISTANCE TAPE)
2	POLYAMIDE	UL94V-0. NATURAL (BEIGE)	5	POLYESTER	CLEAR(COVER TAPE)
1	PHOSPHOR BRONZE	TIN PLATED 2μm min.	4	PS	CLEAR(EMBOSSD CARRIER TAPE)
NO.	MATERIAL	FINISH . REMARKS	NO.	MATERIAL	FINISH . REMARKS

UNITS mm		SCALE 5 : 1	COUNT △	DESCRIPTION OF REVISIONS	DESIGNED	CHECKED	DATE
APPROVED : KI. AKIYAMA				11.04.25	DRAWING NO. EDC3-301827-01		
CHECED : HK. UMEHARA				11.04.25	PART NO. DF11Z-30DS-2V(22)		
DESIGNED : TH. YOSHIKAWA				11.04.25	CODE NO. CL543-2014-5-22		
DRAWN : MI. SAKIMURA				11.04.14	△ 1/2		

DRAWING FOR REFERENCE: This is subject to change without notice  
08/11/2012



POSITION IN WHICH HEATPROOF TAPE IS PUT

CONFIGURATION CORRECTED

M (10:1)

STYLE AND DIMENSION OF REEL

- SUPPLIER
- QUANTITY
- PART No.
- CODE No.
- DATE OF MANUFACTURED

⑤ DETAIL OF PART No. LABEL

生産月日	年 月 日
④番	CL543-2014-5-22
品名	DF11Z-30DS-2V(22)
納入数量	500KO
納入者	ヒロセ電機株式会社

- NOTES
- 3 : 1 REEL : 500 CONNECTORS.
  - 4 : AT THE BEGINNING OF THE REEL, 15 COMPONENTS SHALL BE EMPTY.  
AT THE END OF THE REEL, 10 COMPONENTS SHALL BE EMPTY.
  - ⑤ : DETAIL OF PART No. LABEL IS WRITTEN IN JAPANESE.
  - 6 : THE REEL IS POLYETHYLENE PACKAGED WITH AN DRY AGENT INSIDE FOR MOISTURE-PROOF PACKAGING.
  - 7 : FOR THE STORAGE OF 168 HOURS OR MORE AFTER OPENING THE PACKAGE, KEEP THE PRODUCTS UNDER MOISTURE PROOF CONDITIONS.
  - 8 : EXCEPT ON THE MATING SURFACE, COMPONENT INFLATION DOES NOT AFFECT THE PRODUCTS PERFORMANCE.

<b>HRS</b>	DRAWING NO.	EDC3-301827-01
	PART NO.	DF11Z-30DS-2V(22)
	CODE NO.	CL543-2014-5-22
		△ 2/2

# Mouser Electronics

Authorized Distributor

Click to View Pricing, Inventory, Delivery & Lifecycle Information:

[Hirose Electric:](#)

[DF11Z-30DS-2V\(22\)](#)