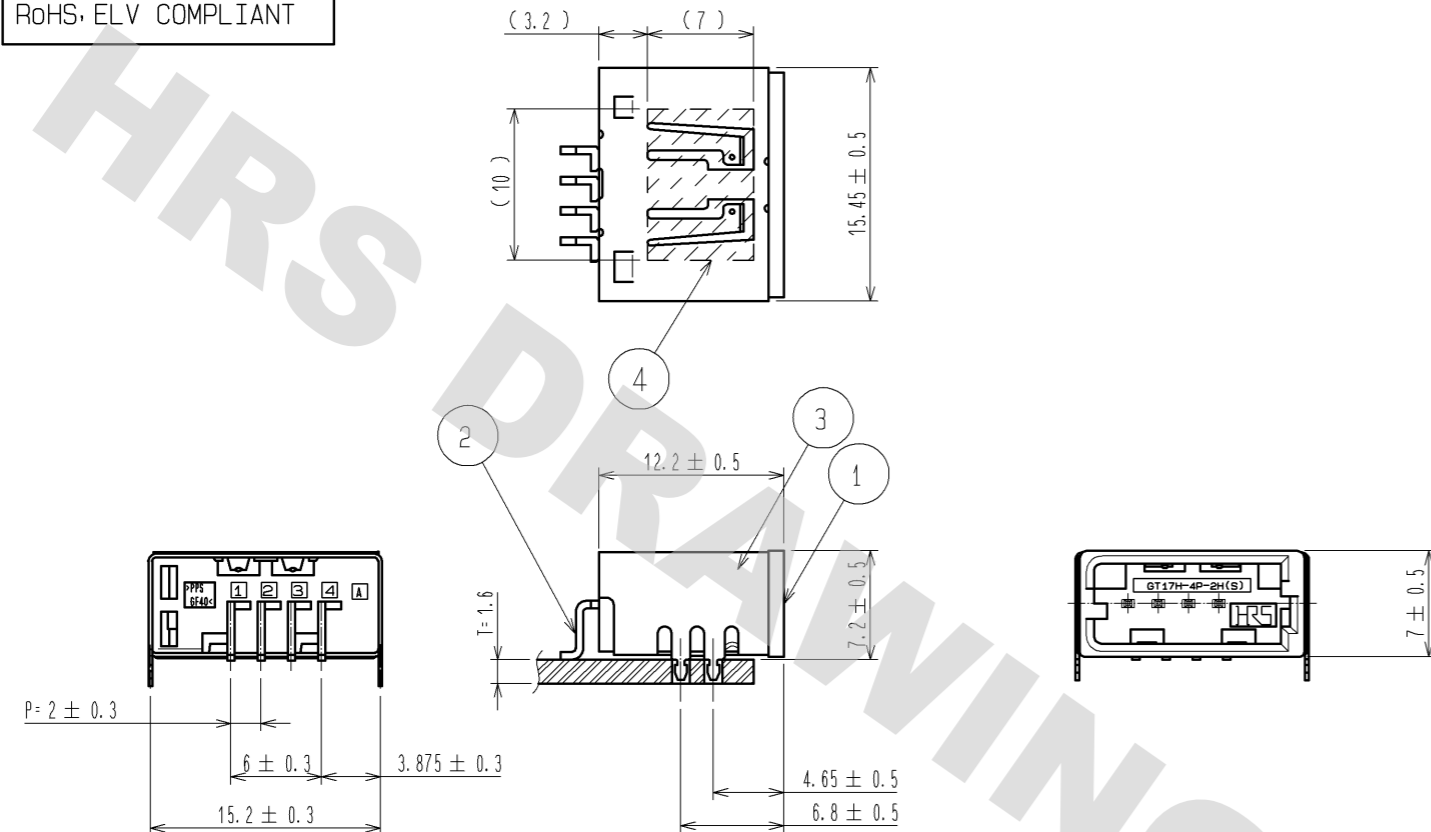
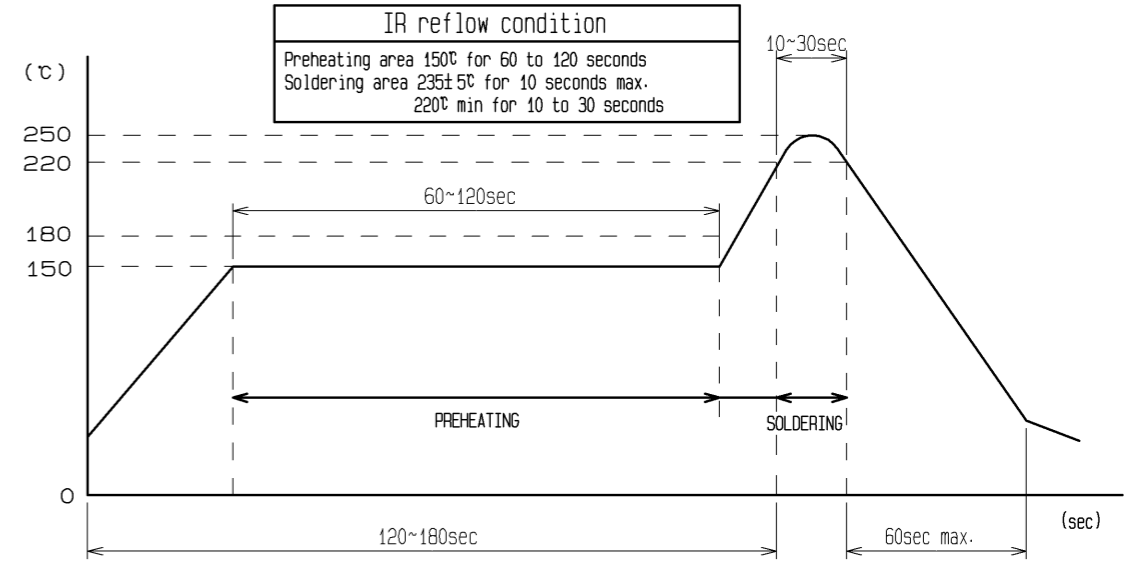


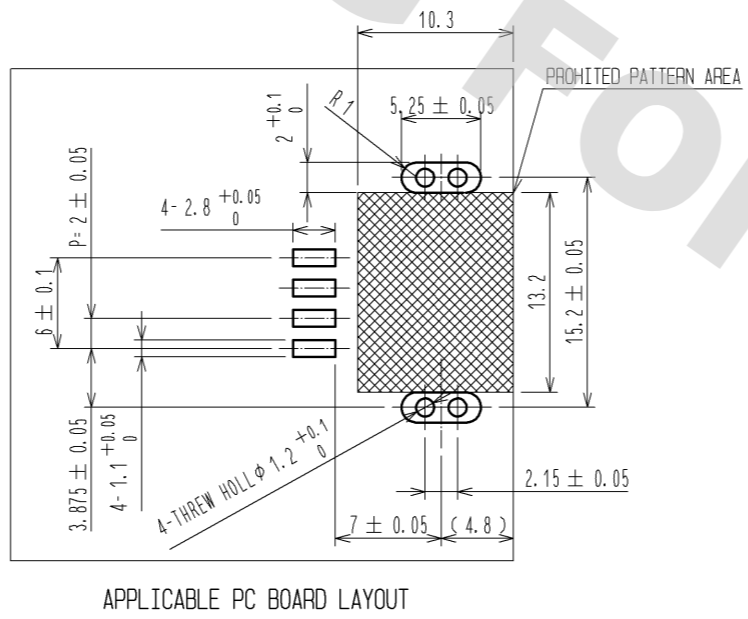
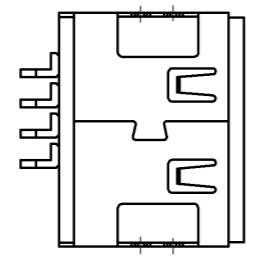
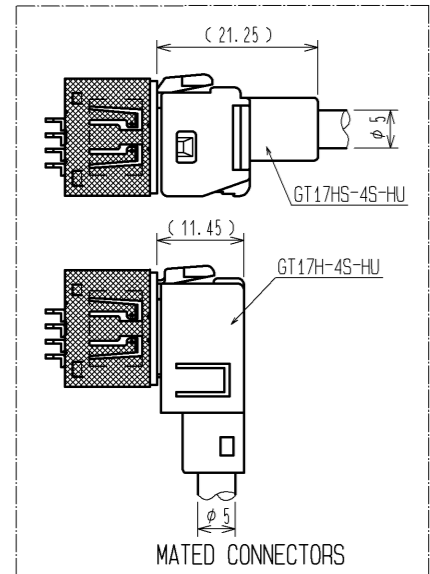
RoHS, ELV COMPLIANT



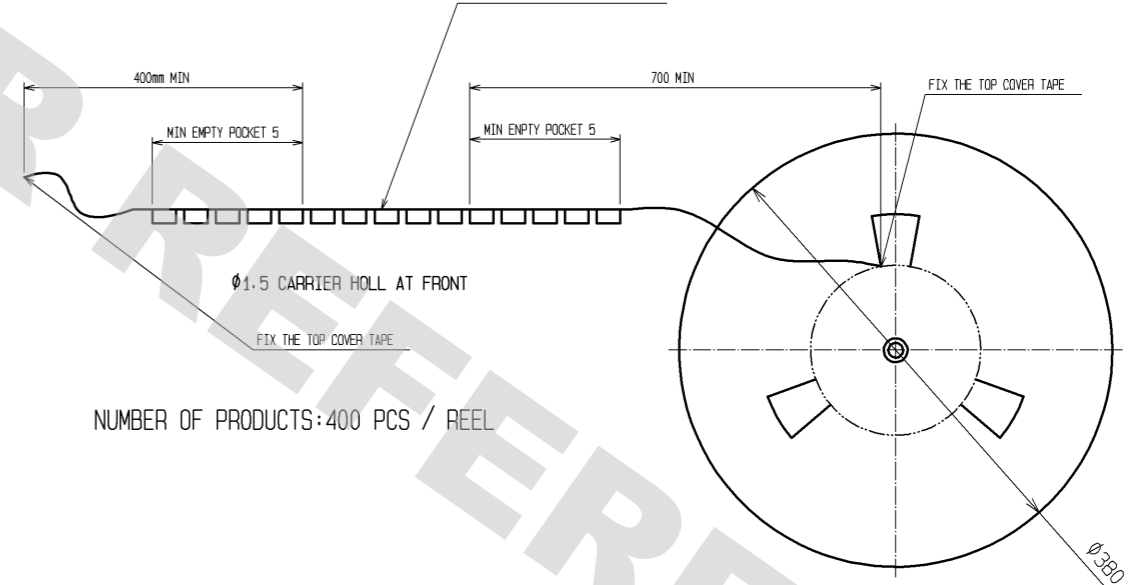
RECOMMENDED REFLOW PROFILE



Note1. The soldering process is allowed up to twice under the same condition. However, the interval between the first and second process must be maintained at the room temperature.  
 Note2. The temperature indicates the board surface temperature on the connector lead area.



PACKAGEING STYLE



NUMBER OF PRODUCTS: 400 PCS / REEL

CL767-0083-3 GT17H-4P-2H COLOR : LIGHT GRAY	CL767-0170-6 GT17H-4P-2H(A) COLOR : BROWN	CL767-0171-9 GT17H-4P-2H(B) COLOR : GREEN	CL767-0172-1 GT17H-4P-2H(C) COLOR : BLUE
MATING INSULATOR : CL767-0084-6 GT17H-4S-2C COLOR : LIGHT GRAY	MATING INSULATOR : CL767-0167-1 GT17H-4S-2C(A) COLOR : BROWN	MATING INSULATOR : CL767-0168-4 GT17H-4S-2C(B) COLOR : GREEN	MATING INSULATOR : CL767-0169-7 GT17H-4S-2C(C) COLOR : BLUE

2	BRASS	Ni 1µm + SnCu PLATING 2µm	4	POLYIMIDE	PICK & PLACE TAPE		
1	PPS	LIGHT GRAY	3	COPPER ALLOY	Sn PLATING 1µm		
NO.	MATERIAL	FINISH . REMARKS	NO.	MATERIAL	FINISH . REMARKS		
UNITS mm		SCALE 2 : 1	COUNT 1	DESCRIPTION OF REVISIONS DIS-T-001243	DESIGNED TS. KUBOTA	CHECKED NH. NAKATA	DATE 09.05.27
		APPROVED : KS. SATOH	08.09.19	DRAWING NO. EDC3-166354-04			
HIROSE ELECTRIC CO., LTD.		CHECED : NH. NAKATA	08.09.19	PART NO. GT17H-4P-2H(41)			
		DESIGNED : TK. SHISHIKURA	08.09.12	CODE NO. CL767-0083-3-41			
		DRAWN : TK. SHISHIKURA	08.09.12				

DRAWING FOR REFERENCE: This is subject to change without notice  
08/11/2012

# Mouser Electronics

Authorized Distributor

Click to View Pricing, Inventory, Delivery & Lifecycle Information:

[Hirose Electric:](#)

[GT17H-4P-2H\(41\)](#)