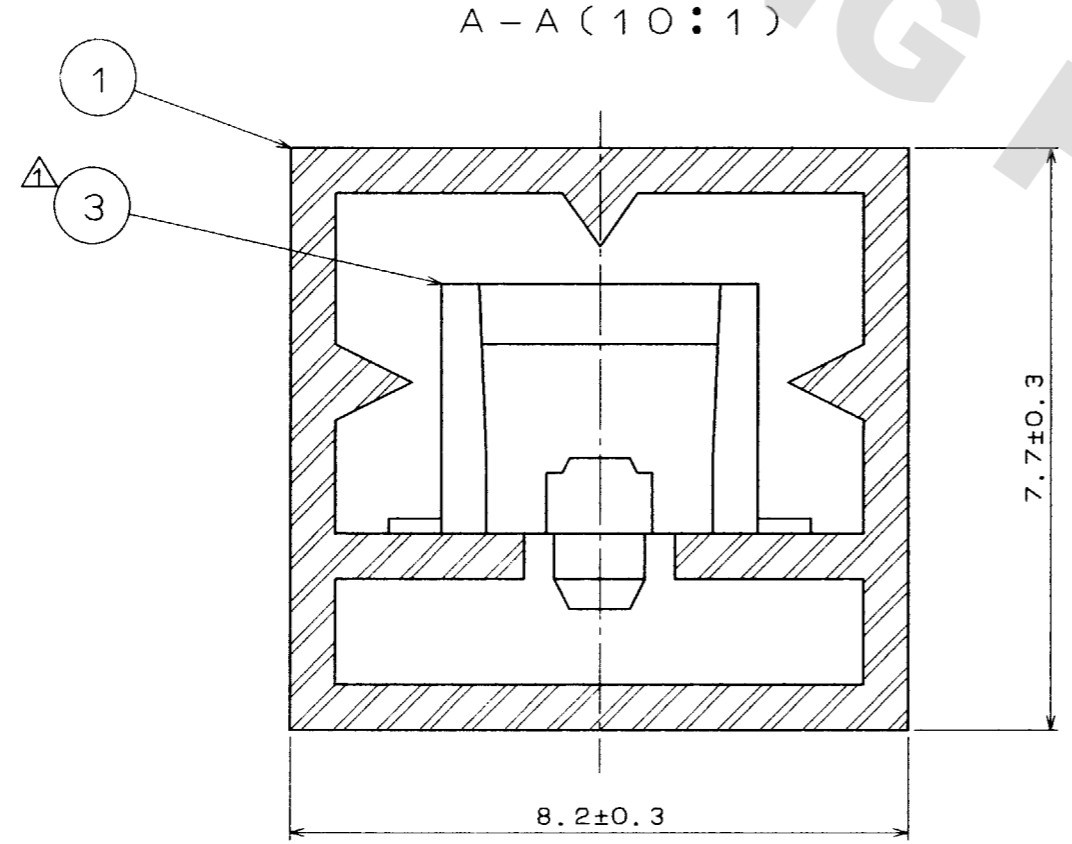
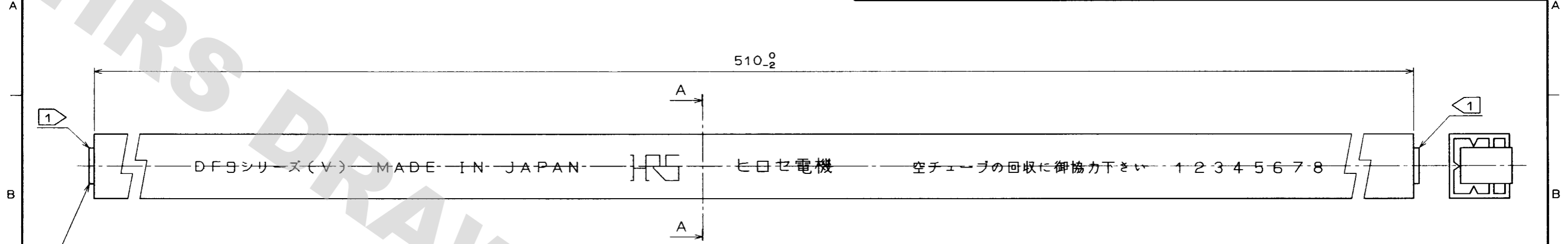


COUNT	DESCRIPTION OF REVISIONS	BY	CHKD	DATE	COUNT	DESCRIPTION OF REVISIONS	BY	CHKD	DATE
8	RE-H-02405	H.T	J.O	97.11.5					



NOTES: 1: THE TUBE HAS ONE STOPPER AT EACH END.
 2: WARPAGE OF THE TUBE SHALL BE ALLOWED ±2 mm PER 510 mm.
 3: MINIMUM UNIT OF PURCHASE SHALL BE THE QUANTITY OF CONNECTOR IN TUBE.
 4: THE SUFFIX OF CODE NO. SHALL BE '-20'.

2	SBR	STOPPER, GREEN	3	DF9A-31P-1V	(24 CONNECTORS IN TUBE)
1	PS	TUBE, CLEAR			
NO.	MATERIAL	FINISH, REMARKS	NO.	MATERIAL	FINISH, REMARKS
CODE NO. (OLD) CL			DRAWN	DESIGNED	CHECKED
			T. Goi	T. Goi	C. Hanami
			95. 7. 3	95. 7. 3	95. 7. 6
			APPROVED	M. Yamamoto	
			95. 7. 6		
DRAWING NO. EDC3-084731-02			PART NO. DF9A-31P-1V(20)		
SCALE FR:EE			CODE NO. CL540-0025-1-20		
UNITS mm			1/1		

DRAWING FOR REFERENCE: This is subject to change without notice
08/11/2012

TO

Mouser Electronics

Authorized Distributor

Click to View Pricing, Inventory, Delivery & Lifecycle Information:

[Hirose Electric:](#)

[DF9A-31P-1V\(20\)](#)