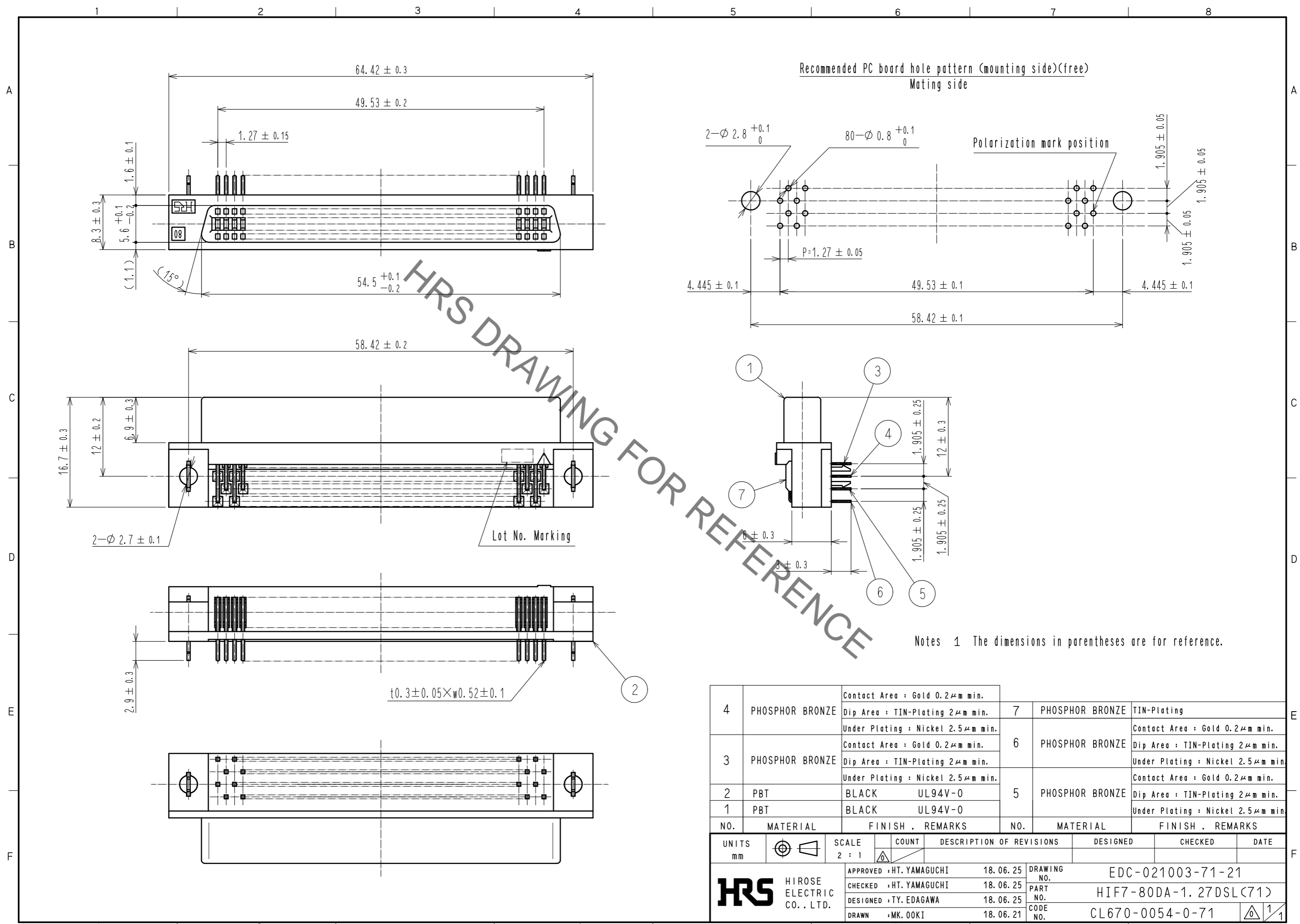


Nov.1.2019 Copyright 2019 HIROSE ELECTRIC CO., LTD. All Rights Reserved.  
In case of consideration for using Automotive equipment / device which demand high reliability, kindly contact our sales window correspondents.



Notes 1 The dimensions in parentheses are for reference.

NO.	MATERIAL	FINISH . REMARKS	NO.	MATERIAL	FINISH . REMARKS
4	PHOSPHOR BRONZE	Contact Area : Gold 0.2μm min. Dip Area : TIN-Plating 2μm min. Under Plating : Nickel 2.5μm min.	7	PHOSPHOR BRONZE	TIN-Plating
3	PHOSPHOR BRONZE	Contact Area : Gold 0.2μm min. Dip Area : TIN-Plating 2μm min. Under Plating : Nickel 2.5μm min.	6	PHOSPHOR BRONZE	Contact Area : Gold 0.2μm min. Dip Area : TIN-Plating 2μm min. Under Plating : Nickel 2.5μm min.
2	PBT	BLACK UL94V-0	5	PHOSPHOR BRONZE	Contact Area : Gold 0.2μm min. Dip Area : TIN-Plating 2μm min. Under Plating : Nickel 2.5μm min.
1	PBT	BLACK UL94V-0			

UNITS		SCALE	COUNT	DESCRIPTION OF REVISIONS	DESIGNED	CHECKED	DATE
mm		2 : 1		APPROVED : HT. YAMAGUCHI 18.06.25 CHECKED : HT. YAMAGUCHI 18.06.25 DESIGNED : TY. EDAGAWA 18.06.25 DRAWN : MK. OOKI 18.06.21			
				DRAWING NO. EDC-021003-71-21			
				PART NO. HIF7-80DA-1.27DSL(71)			
				CODE NO. CL670-0054-0-71			

# Mouser Electronics

Authorized Distributor

Click to View Pricing, Inventory, Delivery & Lifecycle Information:

[Hirose Electric:](#)

[HIF7-80DA-1.27DSL\(71\)](#)