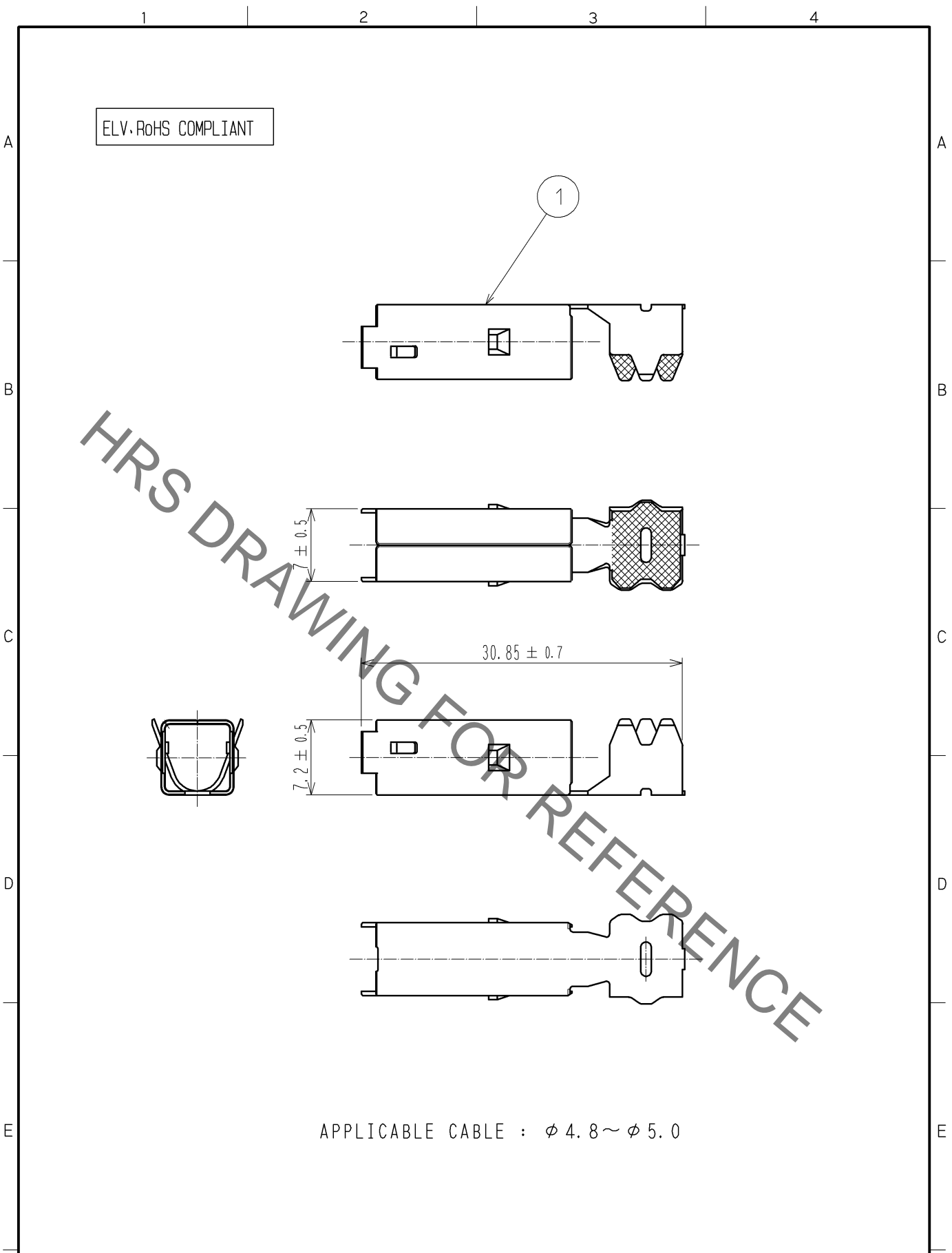


Oct.1.2019 Copyright 2019 HIROSE ELECTRIC CO., LTD. All Rights Reserved.  
 In case of consideration for using Automotive equipment / device which demand high reliability, kindly contact our sales window correspondents.



APPLICABLE CABLE :  $\phi 4.8 \sim \phi 5.0$

1	COPPER ALLOY	TIN PLATED						
NO.	MATERIAL	FINISH .	REMARKS	NO.	MATERIAL	FINISH .	REMARKS	
UNITS mm		SCALE 2 : 1	COUNT 	DESCRIPTION OF REVISIONS		DESIGNED	CHECKED	DATE
HIROSE ELECTRIC CO., LTD.	APPROVED	: NH. NAKATA	14. 12. 24	DRAWING NO.	EDC4-168690-00			
	CHECKED	: NH. NAKATA	14. 12. 24	PART NO.	GT17HNFS-4DS-5CF			
	DESIGNED	: MH. SHOUJI	11. 08. 25	CODE NO.	CL767-0258-5-00		1/1	
	DRAWN	: MH. SHOUJI	11. 08. 25					

# Mouser Electronics

Authorized Distributor

Click to View Pricing, Inventory, Delivery & Lifecycle Information:

[Hirose Electric:](#)

[GT17HNFS-4DS-5CF](#)