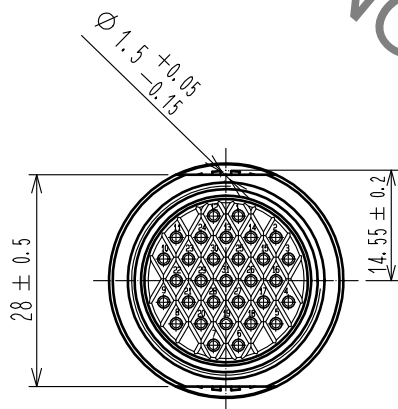
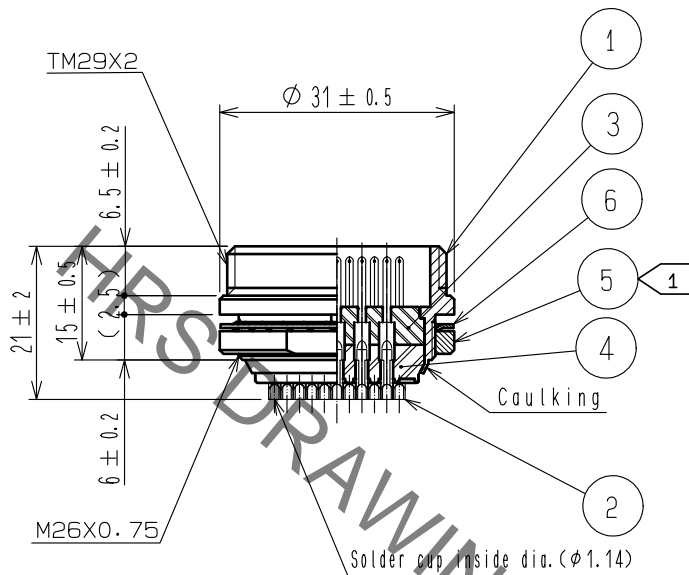
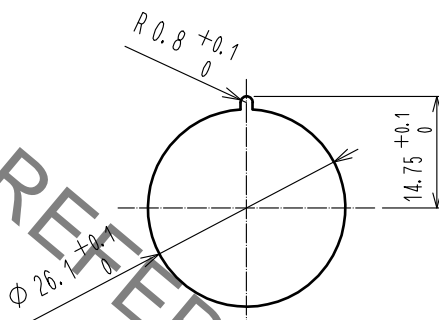


Jun.1.2019 Copyright 2019 HIROSE ELECTRIC CO., LTD. All Rights Reserved.  
 In case of consideration for using Automotive equipment / device which demand high reliability, kindly contact our sales window correspondents.



Panel cutout  
 (Panel thickness : 2 max.)



Note ① The recommended tightening torque of ref. No. ⑤ : 3 N·m.  
 LOCTITE 243, HENKEL JAPAN or equivalent is recommended to prevent ref.No. ⑤ from loosening.

3	PPS	(Black) UL94V-0	6	Phosphor bronze	Nickel plating
2	Brass	Silver plating 4μm min.	5	Brass	Nickel plating
1	Brass	Nickel plating	4	PPS	(Black) UL94V-0
NO.	MATERIAL	FINISH . REMARKS	NO.	MATERIAL	FINISH . REMARKS

UNITS mm		SCALE 1 : 1	COUNT 	DESCRIPTION OF REVISIONS	DESIGNED	CHECKED	DATE
<b>HRS</b> HIROSE ELECTRIC CO., LTD.		APPROVED : HY. KOBAYASHI 15.12.10	DRAWING NO. EDC-003903-81-00		PART NO. RM24TR-31P(81)		
		CHECKED : HY. KOBAYASHI 15.12.10	CODE NO. CL109-0483-1-81				
		DESIGNED : KN. IKEHARA 15.12.10					
		DRAWN : KN. IKEHARA 15.12.10					

# Mouser Electronics

Authorized Distributor

Click to View Pricing, Inventory, Delivery & Lifecycle Information:

[Hirose Electric:](#)

[RM24TR-31P\(81\)](#)