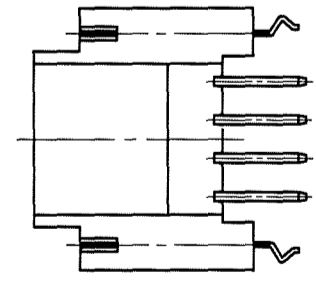
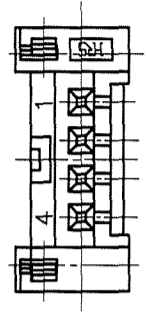
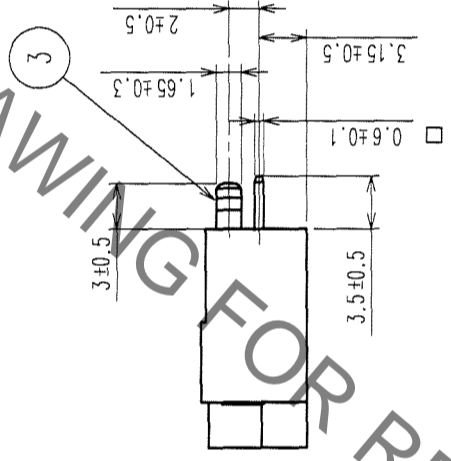
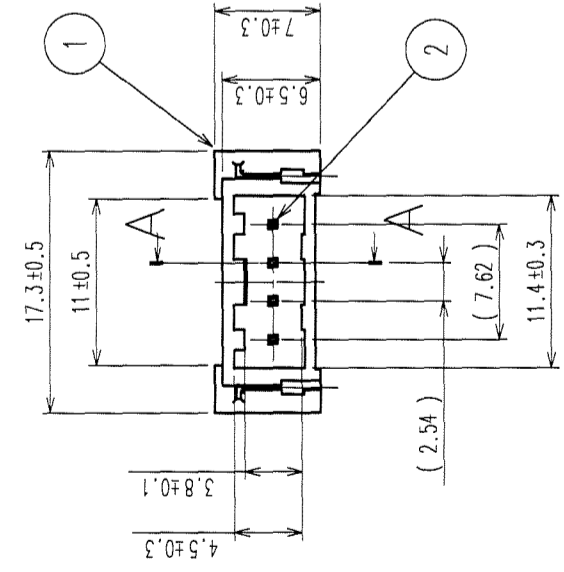


RECOMMENDED PC BOARD HOLE PATTERN
 (t = 1.6)

A - A (4 : 1)



TO
Q

2	BRASS	TIN-COPPER PLATING 3 μ m OVER NICKEL PLATING 2 μ m
1	PBT	(BLACK) UL94V-0
NO.	MATERIAL	FINISH, REMARKS

3	PHOSPHOR BRONZE	TIN PLATING 1 μ m
NO.	MATERIAL	FINISH, REMARKS

DRAWN DESIGNED CHECKED APPROVED RELEASED
 S. Watanabe S. Watanabe S. Watanabe H. Minoda
 05.11.30 05.11.30 05.11.30 05.11.30

DRAWING NO.	EDC3-041064-01
PART NO.	MQ115-4P-1A(21)
SCALE	2 : 1
UNITS	mm
CODE NO.	CL206-5133-6-21

Mouser Electronics

Authorized Distributor

Click to View Pricing, Inventory, Delivery & Lifecycle Information:

[Hirose Electric:](#)

[MQ115-4P-1A\(21\)](#)