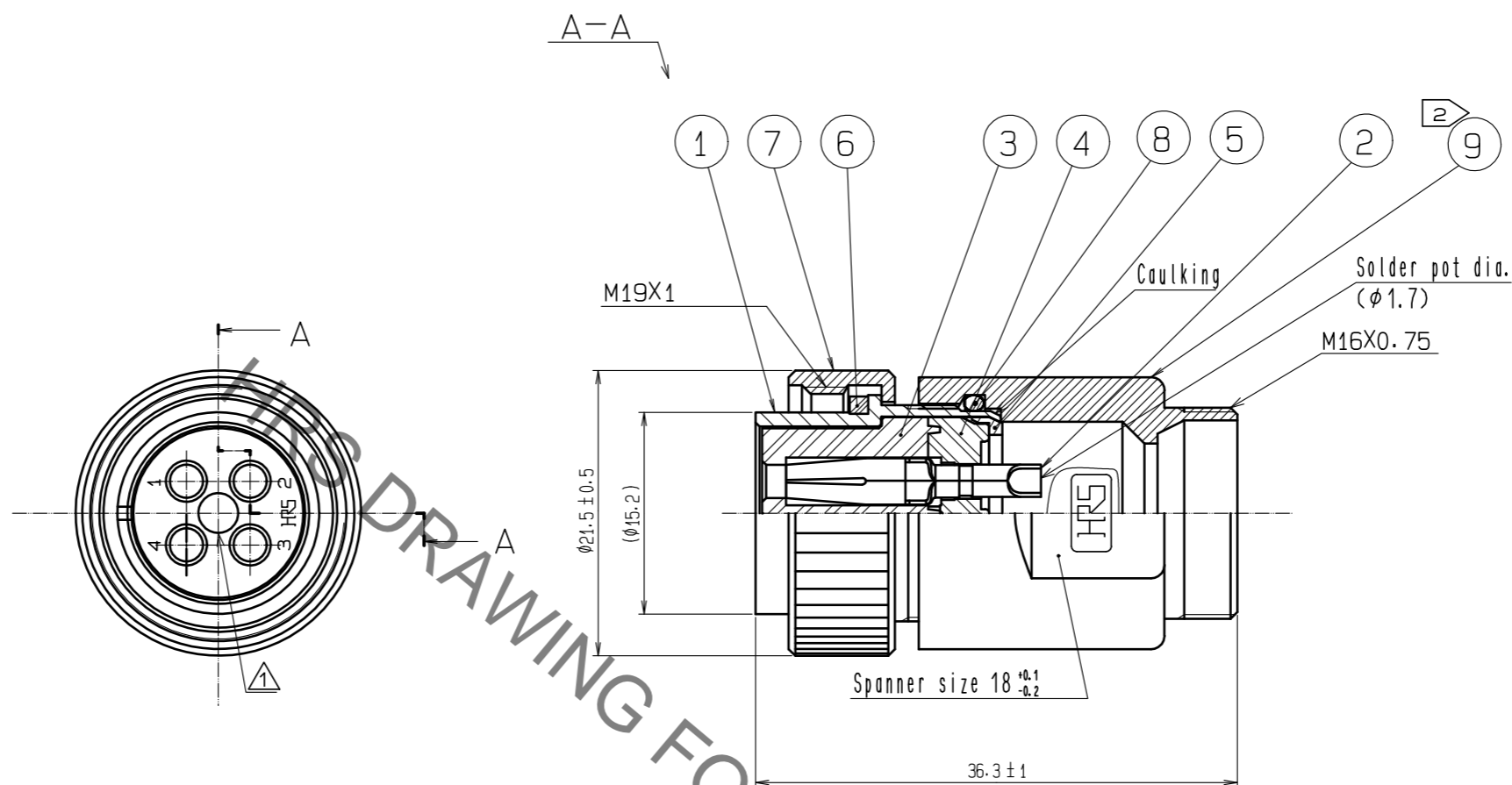


Jun.1.2019 Copyright 2019 HIROSE ELECTRIC CO., LTD. All Rights Reserved.
 In case of consideration for using Automotive equipment / device which demand high reliability, kindly contact our sales window correspondents.



- Notes
- 1 Rotation examples of ref. No. ⑨ to ref. No. ① is shown.
 - ② The recommended clamp torque of ref. No. ⑨ : 3 N·m.
 LOCTITE 243, HENKEL JAPAN or equivalent is recommended to prevent ref. No. ⑨ from loosening.
 - 3 This products to be used with cable clamp JR13WCC-*(72)
 * designate diameter of applicable cable.
 - 4 The cable pull and twisting strength, waterproof tightness and other characteristic may differ,
 depending on the cable structure.
 Please confirm before the use.

NO.	MATERIAL	FINISH	REMARKS	NO.	MATERIAL	FINISH	REMARKS
5	POLYACETAL	(WHITE)		9	ZINC ALLOY	CHROME PLATING	
4	PPS	(BLACK)	UL94V-0	8	SIRICONE RUBBER	(BLACK)	
3	PPS	(BLACK)	UL94V-0	7	BRASS	CHROME PLATING	
2	COPPER ALLOY	SILVER PLATING	2μm min.	6	SIRICONE RUBBER	(RED)	
1	ZINC ALLOY	CHROME PLATING					

UNITS mm		SCALE 2 : 1	COUNT 1	DESCRIPTION OF REVISIONS DIS-C-00000841	DESIGNED KN. IKEHARA	CHECKED HY. KOBAYASHI	DATE 16.03.02
HIROSE ELECTRIC CO., LTD.				APPROVED : HY. KOBAYASHI 15.11.06	DRAWING NO. EDC-110908-81-00		
				CHECKED : HY. KOBAYASHI 15.11.06	PART NO. RM15WTPZ-4S(81)		
				DESIGNED : KN. IKEHARA 15.11.06	CODE NO. CL109-1612-8-81		
				DRAWN : KN. IKEHARA 15.11.06			

Mouser Electronics

Authorized Distributor

Click to View Pricing, Inventory, Delivery & Lifecycle Information:

[Hirose Electric:](#)

[RM15WTPZ-4S\(81\)](#)