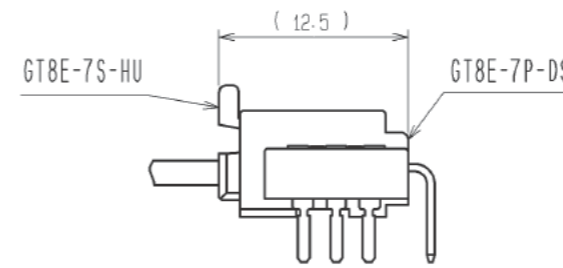
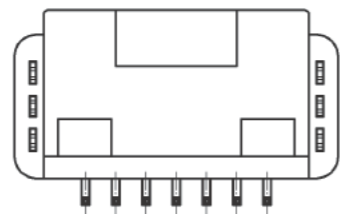
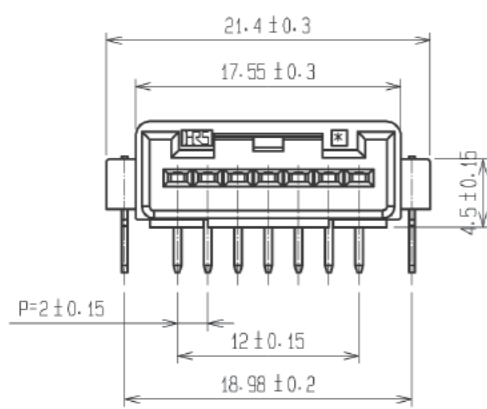
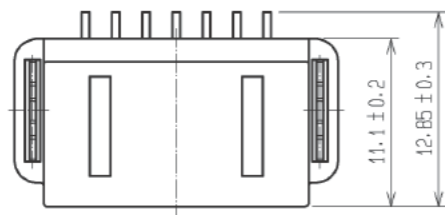
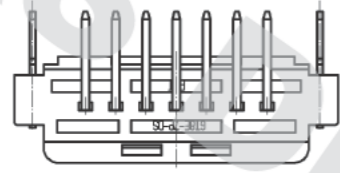
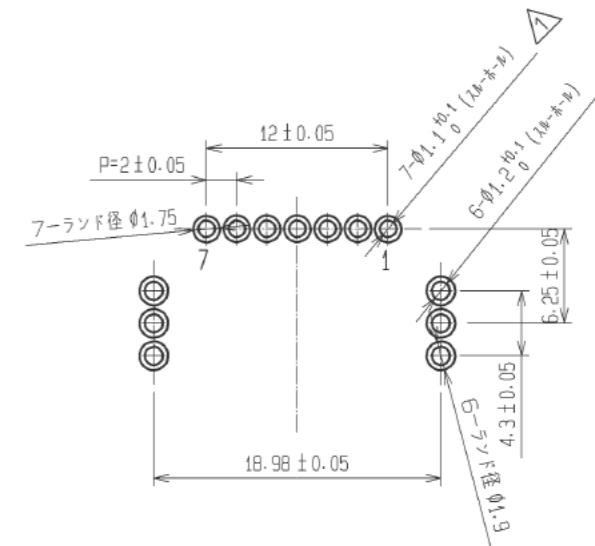


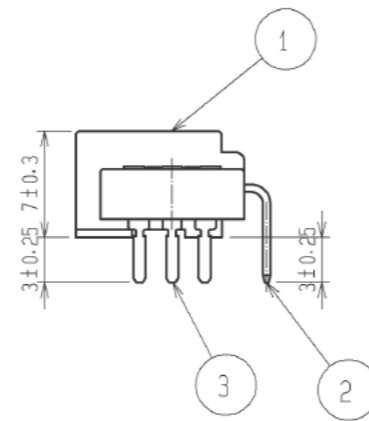
ELV. RoHS COMPLIANT



MATED CONNECTORS



RECOMMENDED PC BOARD PATTERN (CONNECTOR SIDE) AND PIN No.

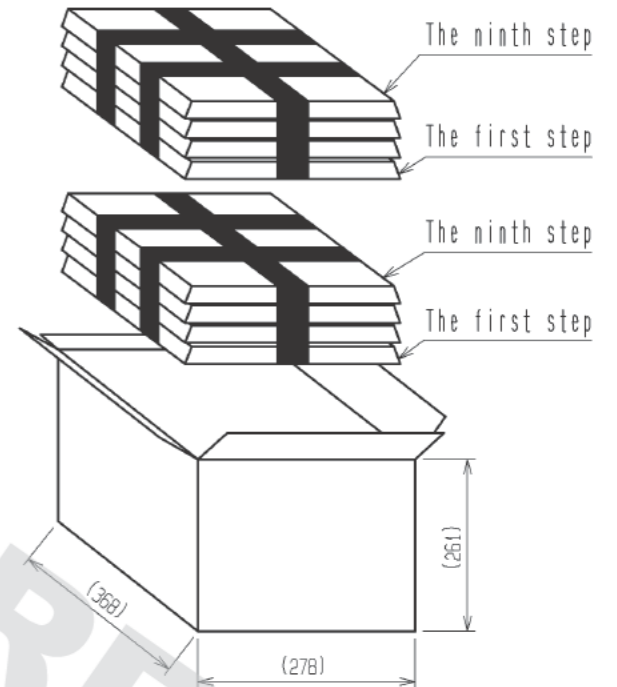


Drawing for packing.

Note1. Eight trays(A, B) to be piled in turn. Top(the ninth step) is an empty tray. (One tray includes 120 pcs of products. One bundle: 120×8=960 pcs.)

Note2. One K-1 box includes 1920 pcs. (960×2=1920)

Note3. The size of the tray see below.



2	BRASS	TIN PLATING										
1	PBT	BLACK				3	BRASS	TIN PLATING				
NO.	MATERIAL	FINISH .	REMARKS	NO.	MATERIAL	FINISH .	REMARKS					
UNITS	mm	SCALE	2 : 1	COUNT	1	DESCRIPTION OF REVISIONS	DESIGNED	Y.T. HAYAKAWA	CHECKED	NH. NAKATA	DATE	12. 08. 29
APPROVED : AR. SHIRAI				11. 08. 05		DRAWING NO.		EDC3-166760-00				
CHECKED : NA. HARUBAYASHI				11. 08. 05		PART NO.		GT8E-7P-DS				
DESIGNED : YN. KADOTA				11. 08. 05		CODE NO.		CL758-0059-8-00				
DRAWN : YN. KADOTA				11. 08. 05								

Mouser Electronics

Authorized Distributor

Click to View Pricing, Inventory, Delivery & Lifecycle Information:

[Hirose Electric:](#)

[GT8E-7P-DS](#)