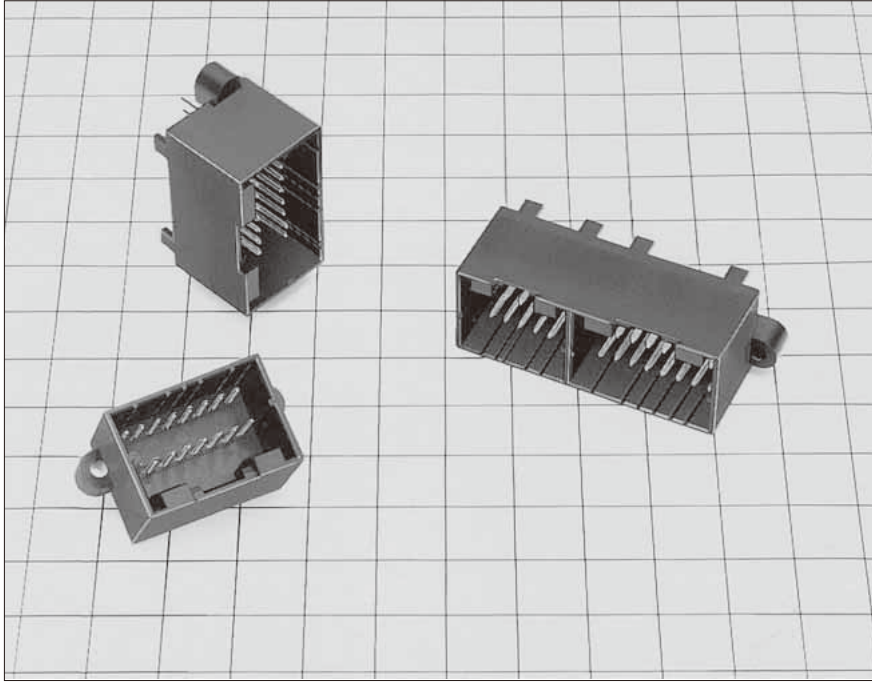


GT3 Series



■ Features

- Available in a low-profile (GT3) and a standard (GT3B) type.
- Tab width is size 040.

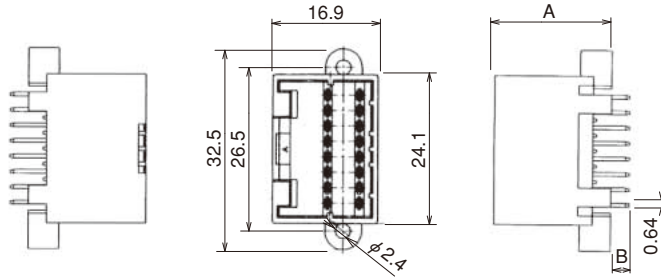
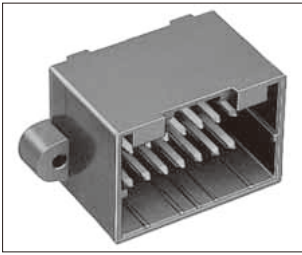
GT5
GT13
GT16
PO5G
GT19
GT21
GT26
GT36
GT11
GT17
GT32
GT3
GT7
GT10
GT18W
GT25
GT8E
GT9
GT15

Interface Connector

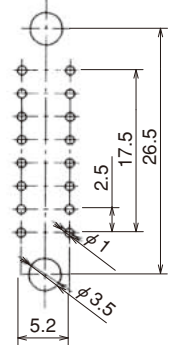
M Connectors

● Board mounting type

16 Pos.

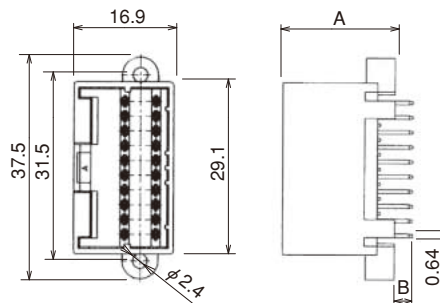
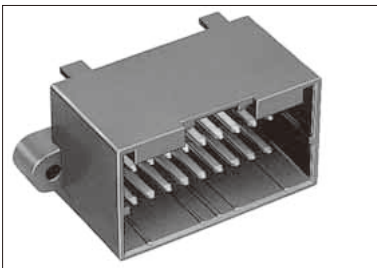


◆ Recommended PCB pattern

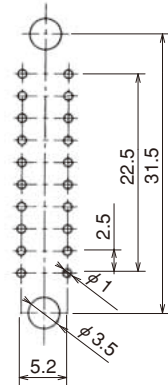


Part No.	HRS No.	Material/Plating or Color	A Dimension	B Dimension	Packaging	RoHS
GT3-16DP-2.5DSA(70)	753-0001-6 70	Housing : PBT/Black Terminal : Brass/Tin plating	17	5	1	YES
GT3B-16DP-2.5DSA(70)	753-0003-1 70		19	3		

20 Pos.



◆ Recommended PCB pattern



Part No.	HRS No.	Material/Plating or Color	A Dimension	B Dimension	Packaging	RoHS
GT3-20DP-2.5DSA(70)	753-0002-9 70	Housing : PBT/Black Terminal : Brass/Tin plating	17	5	1	YES
GT3B-20DP-2.5DSA(70)	753-0004-4 70		19	3		

GT5

GT13

GT16

PO5G

GT19

GT21

GT26

GT36

GT11

GT17

GT32

GT3

GT7

GT10

GT18W

GT25

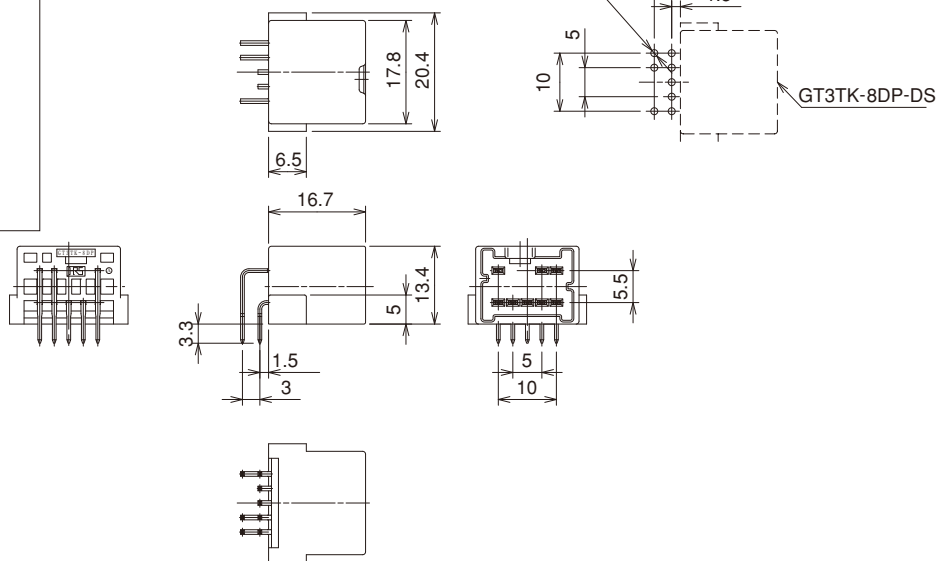
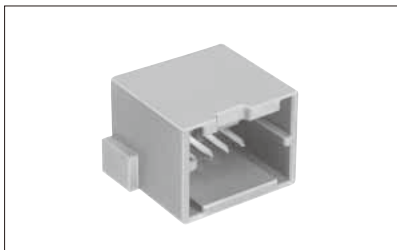
GT8E

GT9

GT15

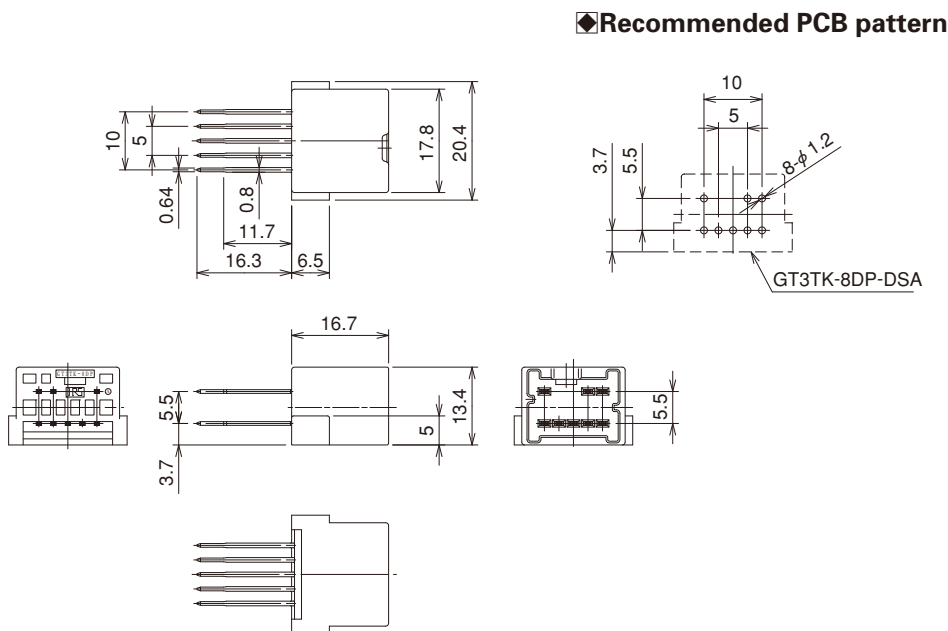
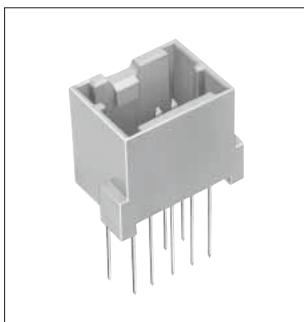
● Board mounting type

8-Pos. Right Angle



Part No.	HRS No.	Material/Plating or Color	Packaging	RoHS
GT3TK-8DP-DS	753-0007-2	Housing : PBT/Brown Terminal : Brass/Tin plating	1	YES

8-Pos. Straight



Part No.	HRS No.	Material/Plating or Color	Packaging	RoHS
GT3TK-8DP-DSA	753-0018-9	Housing : PBT/Brown Terminal : Brass/Tin plating	1	YES

- GT5
- GT13
- GT16
- PO5G
- GT19
- GT21
- GT26
- GT36
- GT11
- GT17
- GT32
- GT3**
- GT7
- GT10
- GT18W
- GT25
- GT8E
- GT9
- GT15

Sep. 1, 2021 Copyright © 2021 HIROSE ELECTRIC CO., LTD. All Rights Reserved.

GT5

GT13

GT16

PO5G

GT19

GT21

GT26

GT36

GT11

GT17

GT32

GT3

GT7

GT10

GT18W

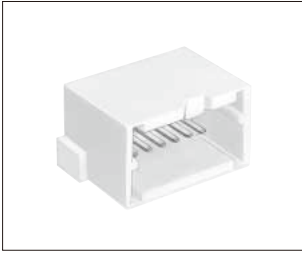
GT25

GT8E

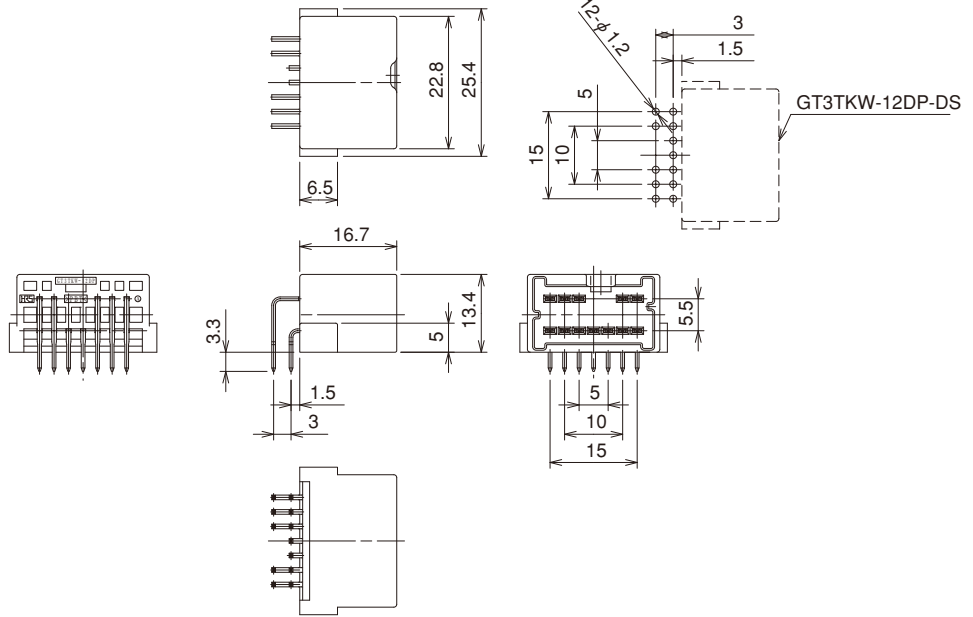
GT9

GT15

12-Pos. Right Angle

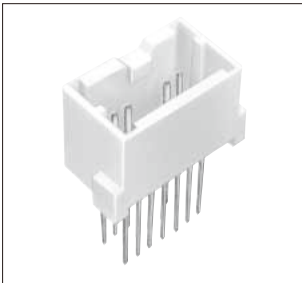


◆ Recommended PCB pattern

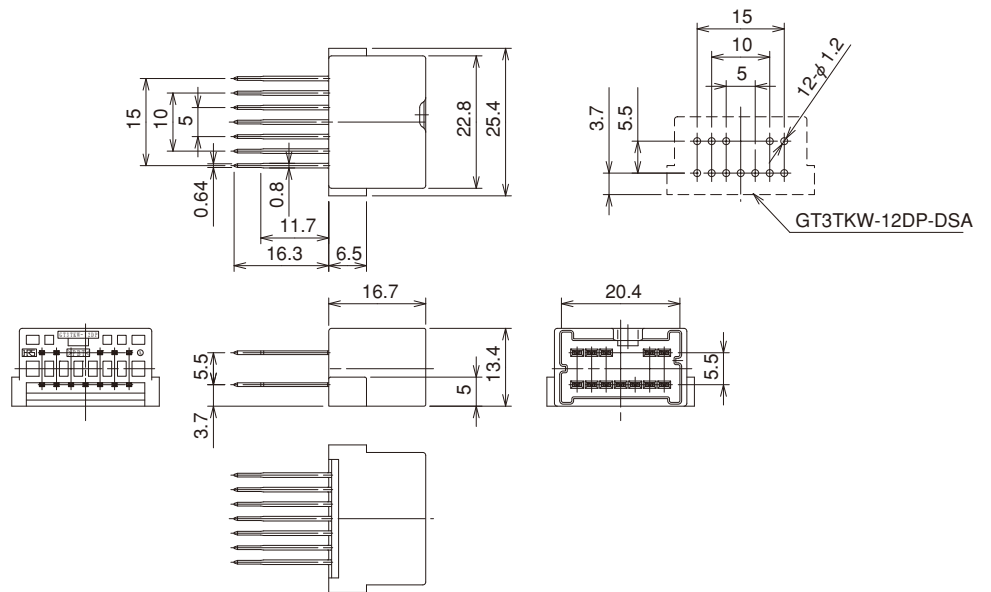


Part No.	HRS No.	Material/Plating or Color	Packaging	RoHS
GT3TKW-12DP-DS	753-0010-7	Housing : PBT/Natural Terminal : Brass/Tin plating	1	YES

12-Pos. Straight



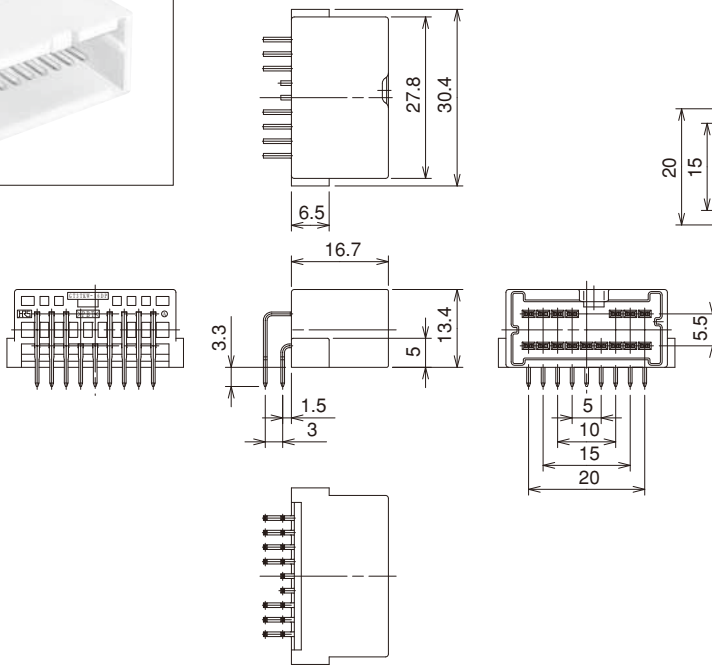
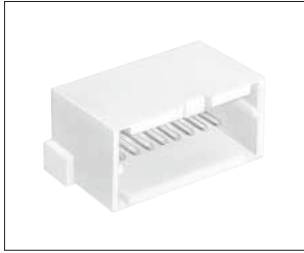
◆ Recommended PCB pattern



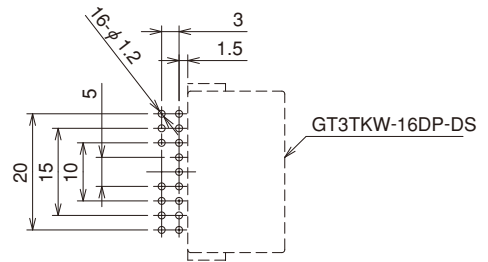
Part No.	HRS No.	Material/Plating or Color	Packaging	RoHS
GT3TKW-12DP-DSA	753-0015-0	Housing : PBT/Natural Terminal : Brass/Tin plating	1	YES

- GT5
- GT13
- GT16
- PO5G
- GT19
- GT21
- GT26
- GT36
- GT11
- GT17
- GT32
- GT3**
- GT7
- GT10
- GT18W
- GT25
- GT8E
- GT9
- GT15

16-Pos. Right Angle

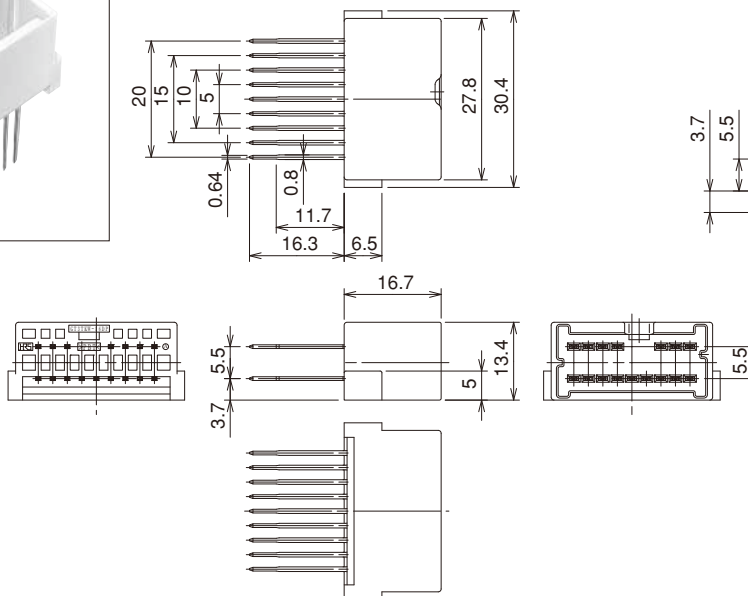
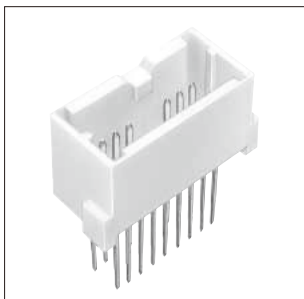


◆Recommended PCB pattern

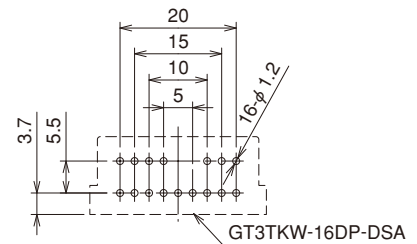


Part No.	HRS No.	Material/Plating or Color	Packaging	RoHS
GT3TKW-16DP-DS	753-0011-0	Housing : PBT/Natural Terminal : Brass/Tin plating	1	YES

16-Pos. Straight

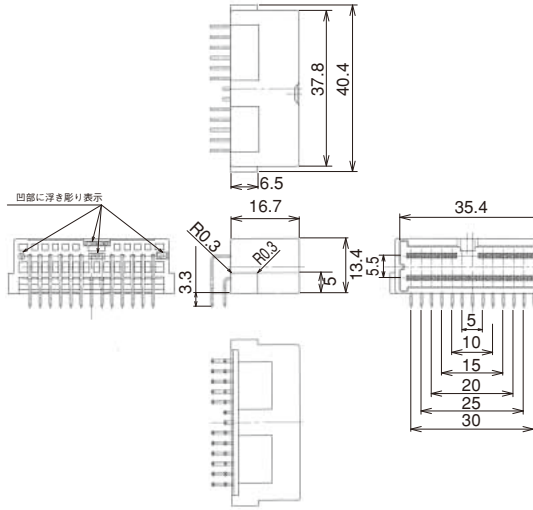
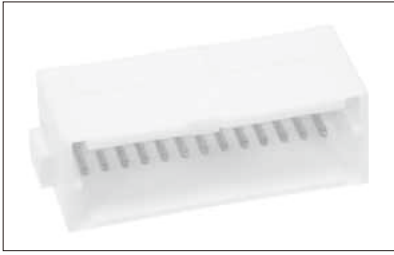


◆Recommended PCB pattern

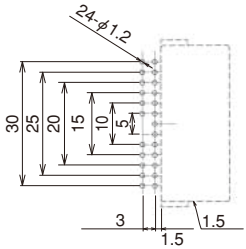


Part No.	HRS No.	Material/Plating or Color	Packaging	RoHS
GT3TKW-16DP-DSA	753-0012-2	Housing : PBT/Natural Terminal : Brass/Tin plating	1	YES

24-Pos. Right Angle

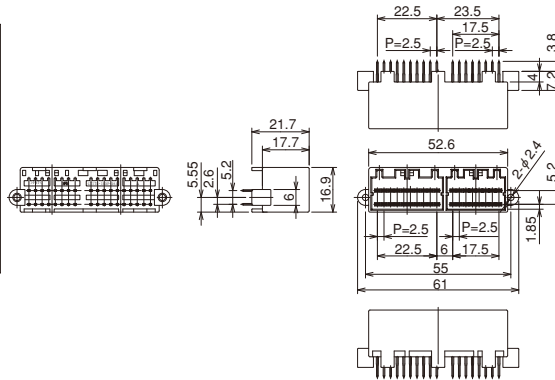
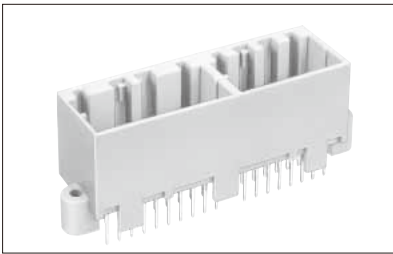


◆ Recommended PCB pattern

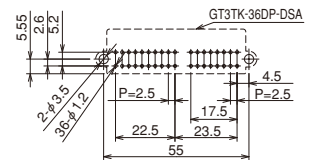


Part No.	HRS No.	Material/Plating or Color	Packaging	RoHS
GT3TKW-24DP-DS	753-0019-1	Housing : PBT/Natural Terminal : Brass/Tin plating	1	YES

36-Pos. Straight



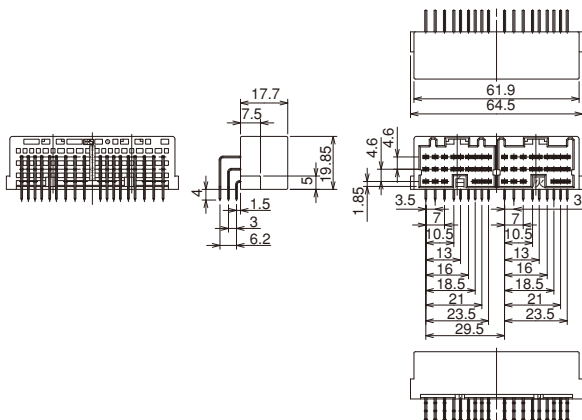
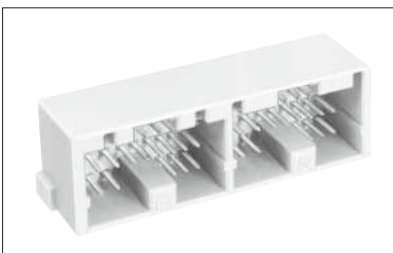
◆ Recommended PCB pattern



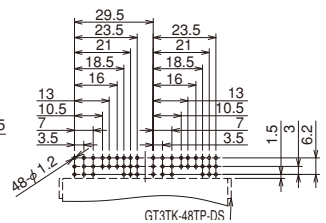
Part No.	HRS No.	Material/Plating or Color	Packaging	RoHS
GT3TK-36DP-DSA	753-0017-6	Housing : PBT/Light Gray Terminal : Brass	1	YES

Note: Use mounting screws of M3 with nominal diameter 3L-8.

48-Pos. Right Angle



◆ Recommended PCB pattern



Part No.	HRS No.	Material/Plating or Color	Packaging	RoHS
GT3TK-48TP-DS	753-0008-5	Housing : PBT/Light Gray Terminal : Brass	1	YES

Sep. 1, 2021 Copyright © 2021 HIROSE ELECTRIC CO., LTD. All Rights Reserved.

Interface Connector

GT5

GT13

GT16

PO5G

GT19

GT21

GT26

GT36

GT11

GT17

GT32

GT3

GT7

GT10

GT18W

GT25

GT8E

GT9

GT15

Mouser Electronics

Authorized Distributor

Click to View Pricing, Inventory, Delivery & Lifecycle Information:

[Hirose Electric:](#)

[GT3-2024SCF\(70\)](#)