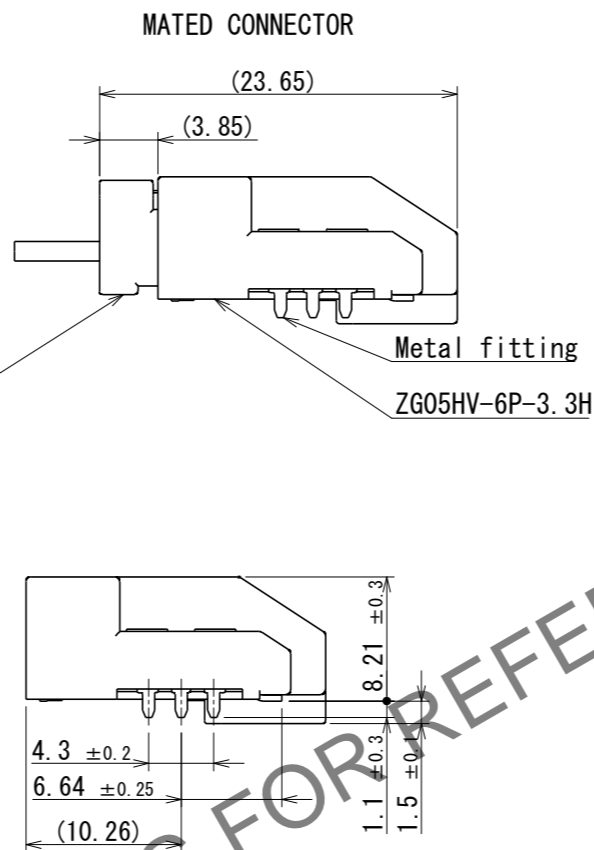
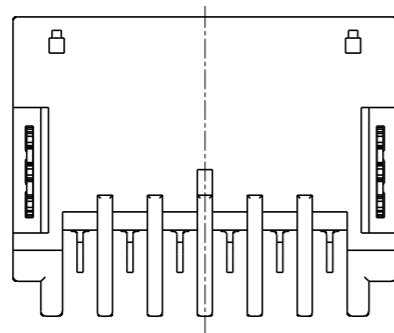
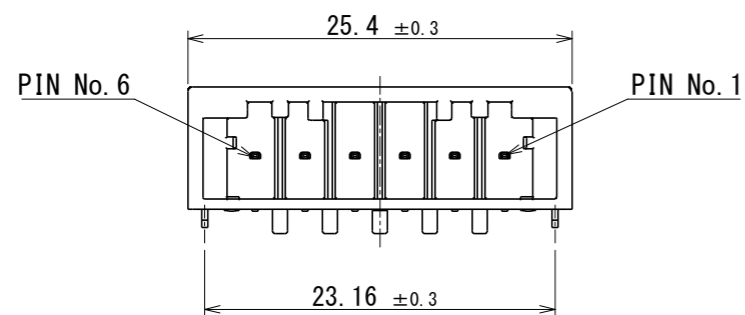
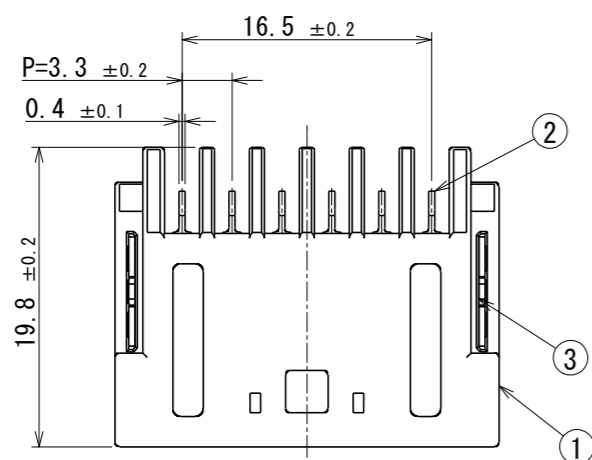
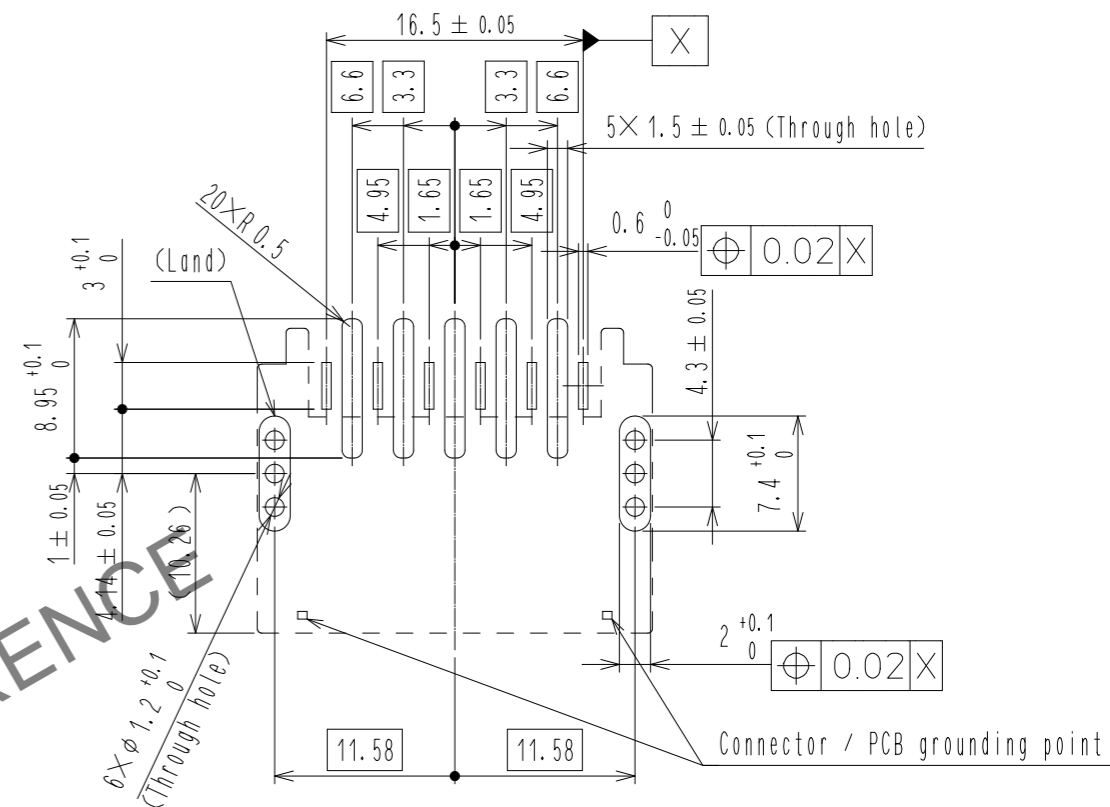


Aug.1.2024 Copyright 2024 HIROSE ELECTRIC CO., LTD. All Rights Reserved.  
In case of consideration for using Automotive equipment / device which demand high reliability, kindly contact our sales window correspondents.

ELV, RoHS COMPLIANT



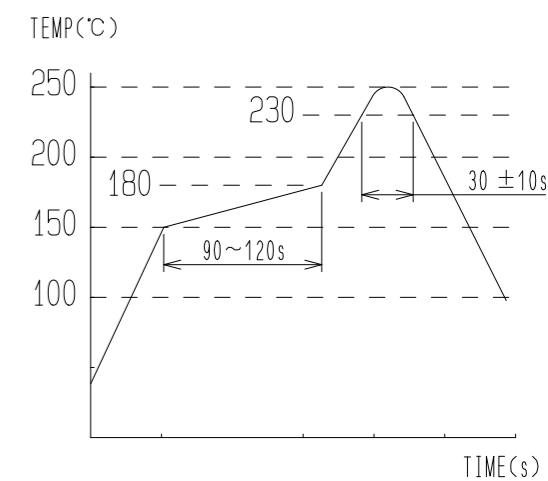
RECOMMENDED PCB PATTERN (FREE)  
(PCB THICKNESS:t=1.6mm, METAL MASK THICKNESS:t=0.15mm)



NOTE 1. RECOMMENDED TEMPERATURE PROFILE FOR REFLOW  
(REFER TO RIGHT FIG.)  
USED REFLOW SYSTEM

- : IR IN THE AIR OR NITROGEN
- NO. OF CYCLES : 2 MAX
- PEAK : 250°C
- OVER 230°C : 20~40s
- PREHEAT : 150~180°C
- 90~120s

2. TEMPERATURE FOR SOLDERING IRON : 280~300°C WITHIN 2s
3. CO-PLANARITY SHALL BE 0.1mm MAX.
4. RECOMMENDED PCB THICKNESS IS 1.6mm.  
FOR PCB WITH A THICKNESS OF 1.6 OR GREATER,  
THERE IS NO PROTRUS CONNECTOR ON THE UNDERSIDE OF THE BOARD.  
WHEN USING PCB WITH A THICKNESS OF LESS THAN 1.6,  
THE CONNECTOR PROTRUDES BELOW THE PCB.
5. RECOMMENDED SOLDER THICKNESS IS 0.15mm.

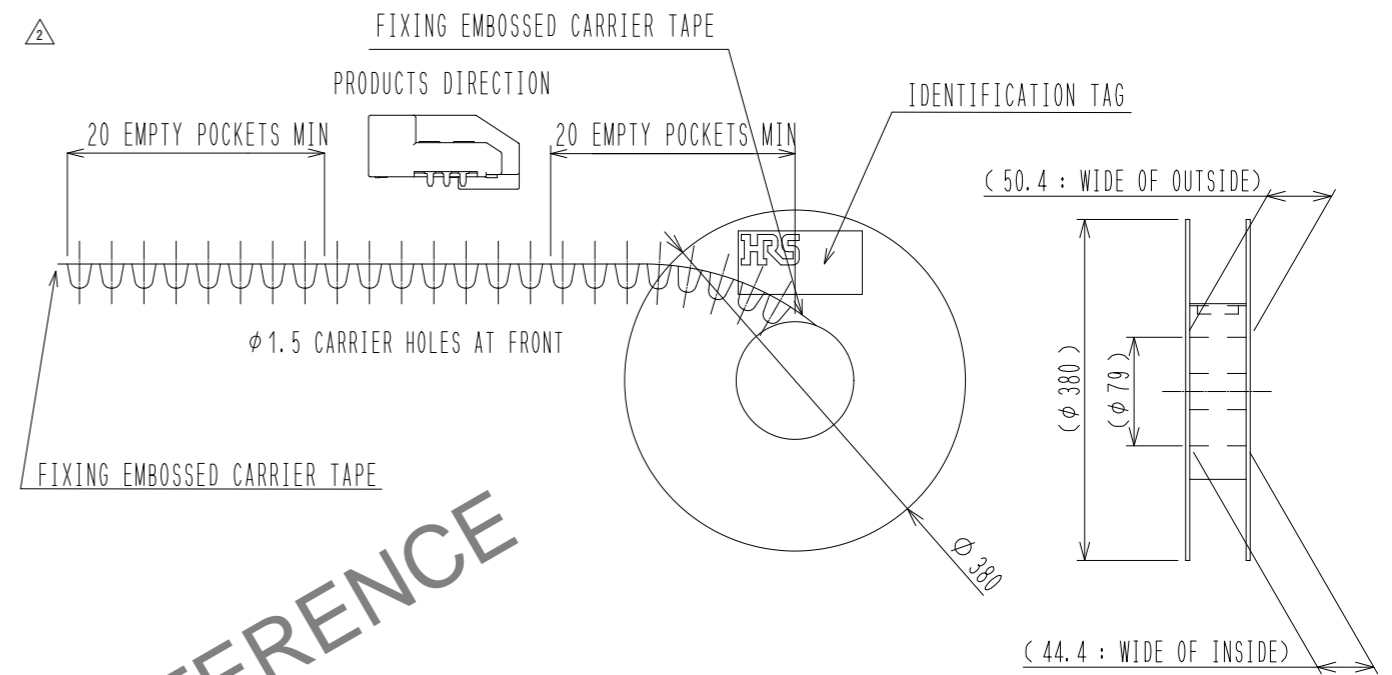


2	BRASS	SURFACE : TIN PLATING 1μm min						
2	BRASS	UNDER : NICKEL PLATING 1μm min	3	BRASS	SURFACE : TIN PLATING 1μm min			
1	PA	BLACK UL94V-0	3	BRASS	UNDER : NICKEL PLATING 1μm min			
NO.	MATERIAL	FINISH	REMARKS	NO.	MATERIAL	FINISH	REMARKS	
UNITS	mm	SCALE	COUNT	DESCRIPTION OF REVISIONS		DESIGNED	CHECKED	DATE
				2:1	2	3	DIS-T-00019459	YANG CHUANXING
APPROVED : MASAHIRO SHOUJI		20230427		DRAWING NO.		EDC-402619-00-00		
CHECKED : MASAHIRO SHOUJI		20230427		PART NO.		ZG05HV-6P-3.3H		
DESIGNED : YANG CHUANXING		20230427		CODE NO.		CL0754-2112-0-00		
DRAWN : YANG CHUANXING		20230427						

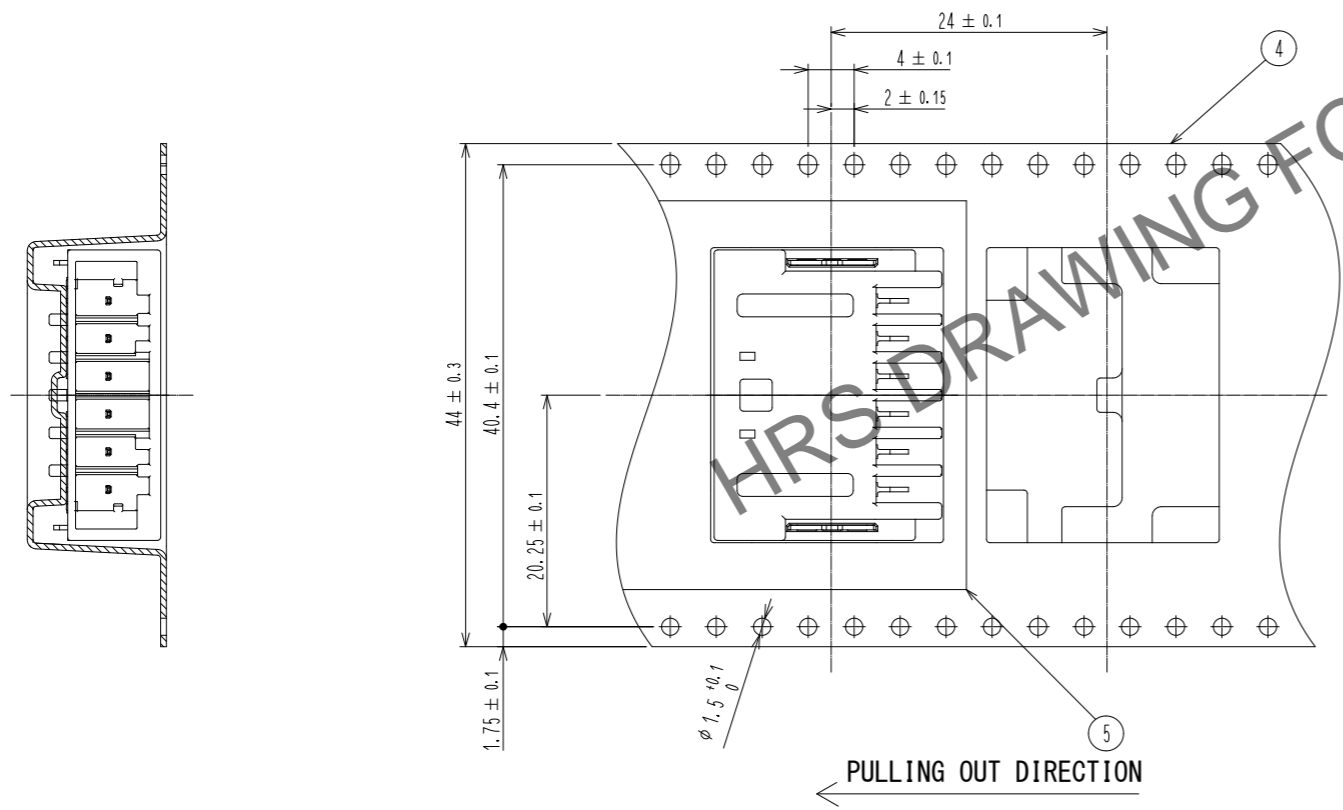
Aug.1.2024 Copyright 2024 HIROSE ELECTRIC CO., LTD. All Rights Reserved.  
 In case of consideration for using Automotive equipment / device which demand high reliability, kindly contact our sales window correspondents.

# PACKING STYLE

# REEL DIMENSION (FREE)



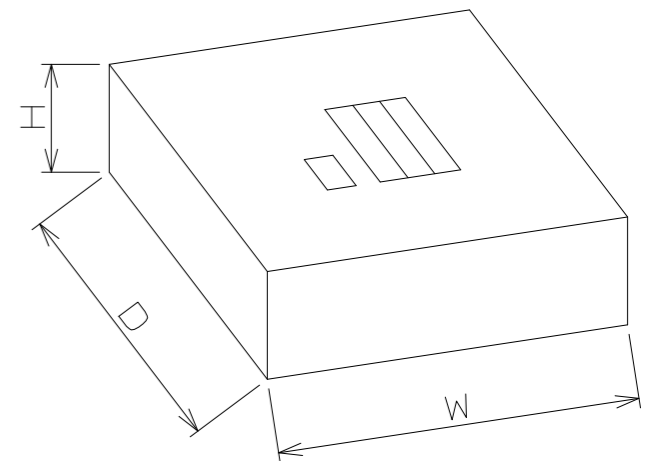
# PACKING STYLE DRAWING



300PCS/REEL

# CARDBOARD DIMENSION (FREE)

W=(405) (mm)  
 D=(405) (mm)  
 H=(51) (mm)



<b>HRS</b>	DRAWING NO.	EDC-402619-00-00	2/2
	PART NO.	ZG05HV-6P-3.3H	
	CODE NO.	CL0754-2112-0-00	

# Mouser Electronics

Authorized Distributor

Click to View Pricing, Inventory, Delivery & Lifecycle Information:

[Hirose Electric:](#)

[ZG05HV-6P-3.3H](#)