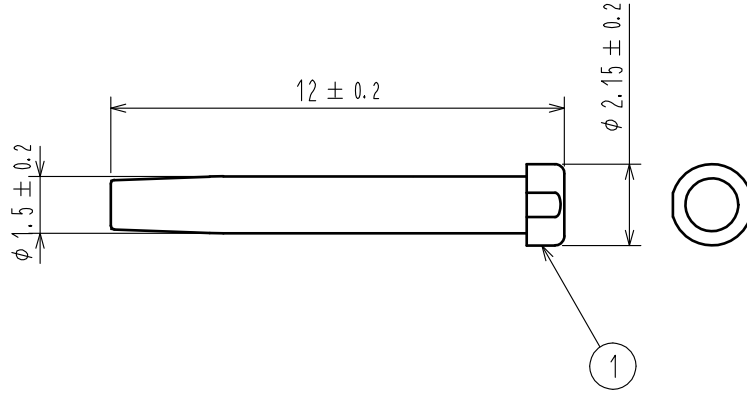
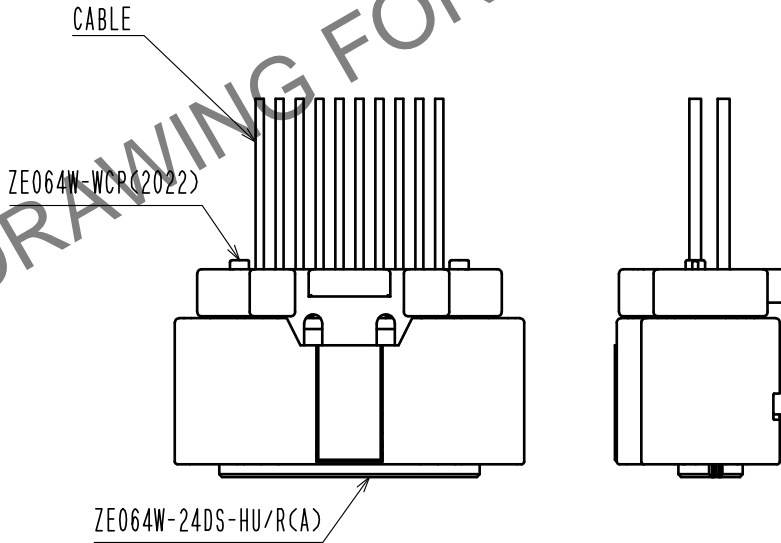


Dec.1.2024 Copyright 2024 HIROSE ELECTRIC CO., LTD. All Rights Reserved.
 In case of consideration for using Automotive equipment / device which demand high reliability, kindly contact our sales window correspondents.

ELV. RoHS COMPLIANT



WITH WATERPROOF CAP INSERTED (FREE)



NOTE 1. 1,000 PCS/PACK.

1	PBT	BROWN						
NO.	MATERIAL	FINISH .	REMARKS	NO.	MATERIAL	FINISH .	REMARKS	
UNITS mm		SCALE 5 : 1	COUNT 	DESCRIPTION OF REVISIONS		DESIGNED	CHECKED	DATE
HIROSE ELECTRIC CO., LTD.	APPROVED	·HK. UMEHARA	18.03.23	DRAWING NO.	EDC-374261-00-00			
	CHECKED	·HH. TSUKUMO	18.03.23	PART NO.	ZE064W-WCP(2022)			
	DESIGNED	·AS. SHIBAHARA	18.03.23	CODE NO.	CL753-2007-0-00		1/1	
	DRAWN	·SK. HANAWA	18.03.23					

Mouser Electronics

Authorized Distributor

Click to View Pricing, Inventory, Delivery & Lifecycle Information:

[Hirose Electric:](#)

[ZE064W-WCP\(2022\)](#)