

May.1.2024 Copyright 2024 HIROSE ELECTRIC CO., LTD. All Rights Reserved.
In case of consideration for using Automotive equipment / device which demand high reliability, kindly contact our sales window correspondents.

ELV, RoHS COMPLIANT

DELETE PAGES 2-5

PACKING STYLE

PLASTICS BOARD

PP BAND

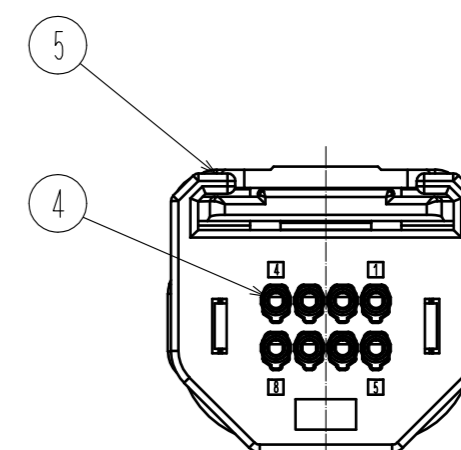
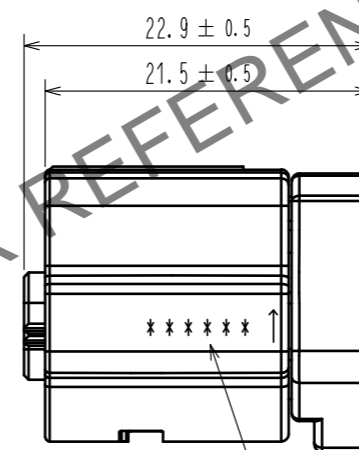
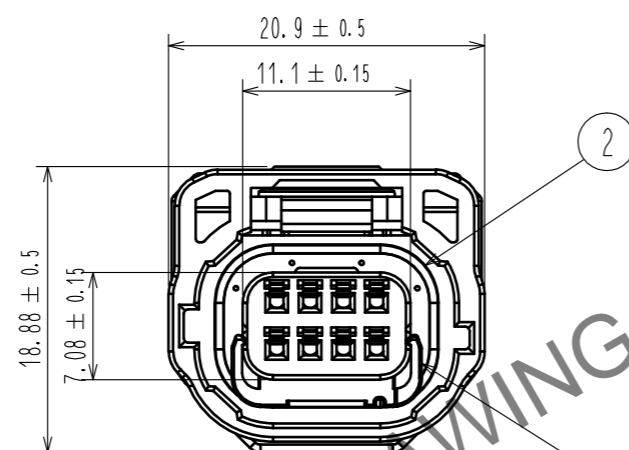
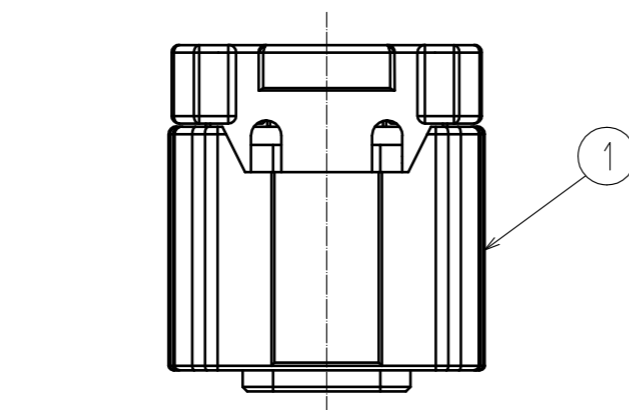
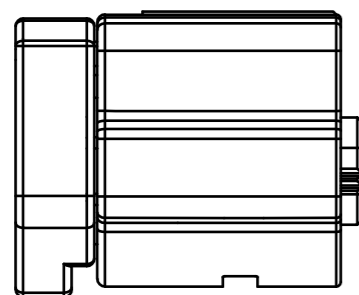
CARDBOARD BOX (K-60)

LABEL

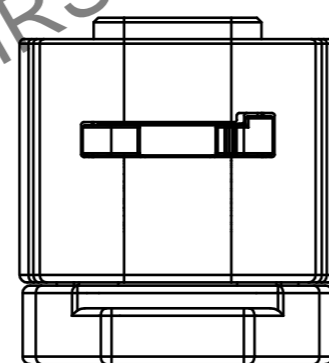
(495)

(315)

(200)



LOT No.



NOTE1. APPLICABLE MATING CONNECTOR : ZE064W-8DP-HU/R(B)

2. THE APPLICABLE PARTS ARE AS FOLLOWS.

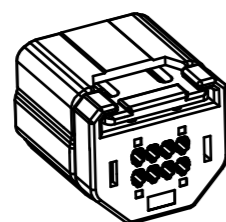
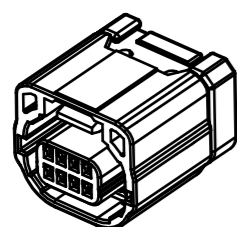
CRIMP CONTACT : ZE064-2022SCF

WATERPROOF CAP : ZE064W-WCP(2022)

3. MAXIMUM NUMBER OF PRODUCT PER BOX: 120 PCS PER TRAY × 5 LAYERS = 600 PCS.

PUT AN EMPTY TRAY ON THE TOP ROW.

4. BEFORE USE, BE SURE TO REFER TO THE INSTRUCTION MANUAL ETAD-T0644-00.



NO.	MATERIAL	FINISH .	REMARKS	NO.	MATERIAL	FINISH .	REMARKS
3	PA	BEIGE, UL94 V-0		5	PBT	GRAY, UL94 V-0	
2	SILICONE	RED, OIL BLEEDING		4	SILICONE	RED, OIL BLEEDING	
1	PA	GRAY, UL94 V-0					

UNITS	SCALE	COUNT	DESCRIPTION OF REVISIONS	DESIGNED	CHECKED	DATE
mm	2 : 1	4	DIS-T-00016744	TY. MOGI	AH. EDASHIGE	20230124

APPROVED	: HK. UMEHARA	20190216	DRAWING NO.	EDC-381038-00-00
CHECKED	: HK. UMEHARA	20190216	PART NO.	ZE064W-8DS-HU/R(B)
DESIGNED	: HH. TSUKUMO	20190216	CODE NO.	CL0753-2016-0-00
DRAWN	: DS. HIROWATARI	20190216		

Mouser Electronics

Authorized Distributor

Click to View Pricing, Inventory, Delivery & Lifecycle Information:

[Hirose Electric:](#)

[ZE064W-8DS-HU/R\(B\)](#)