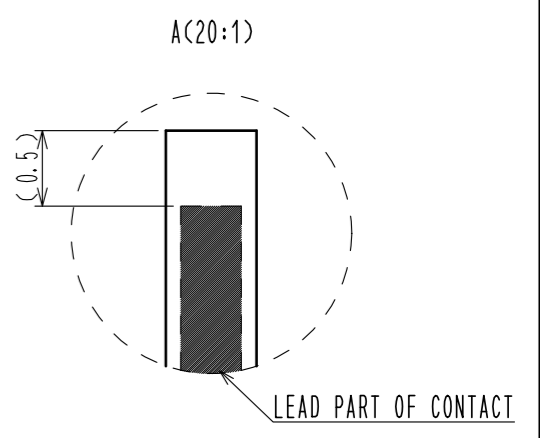
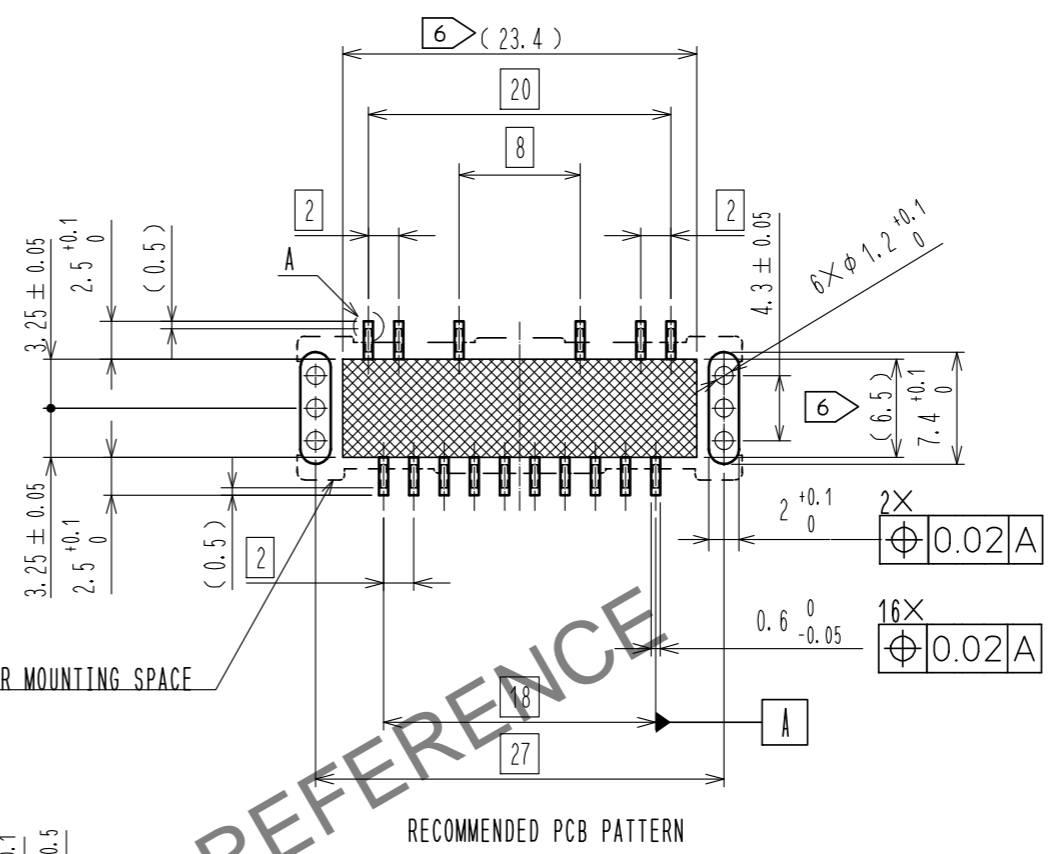
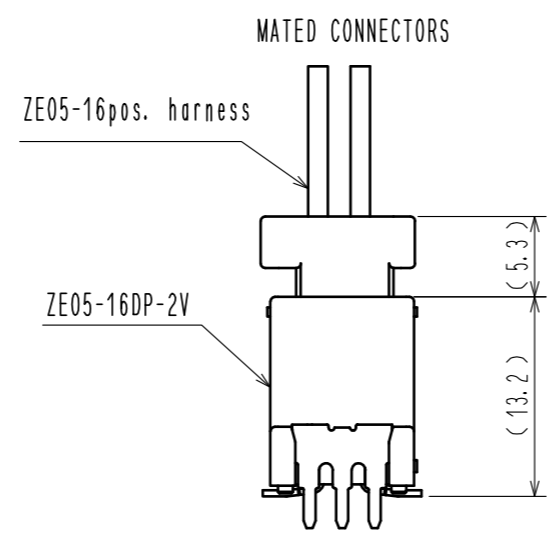
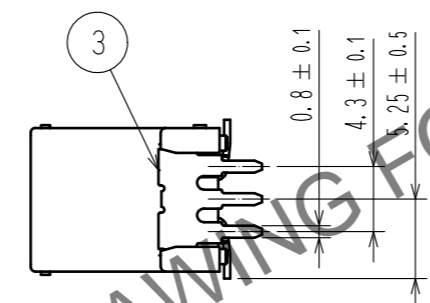
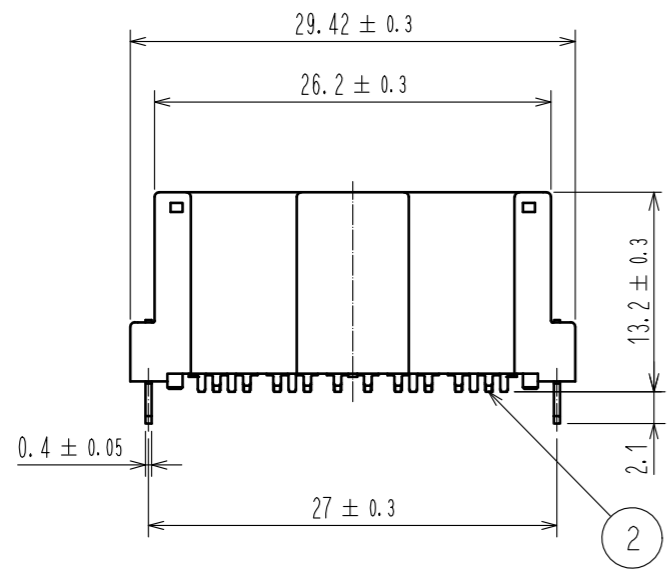
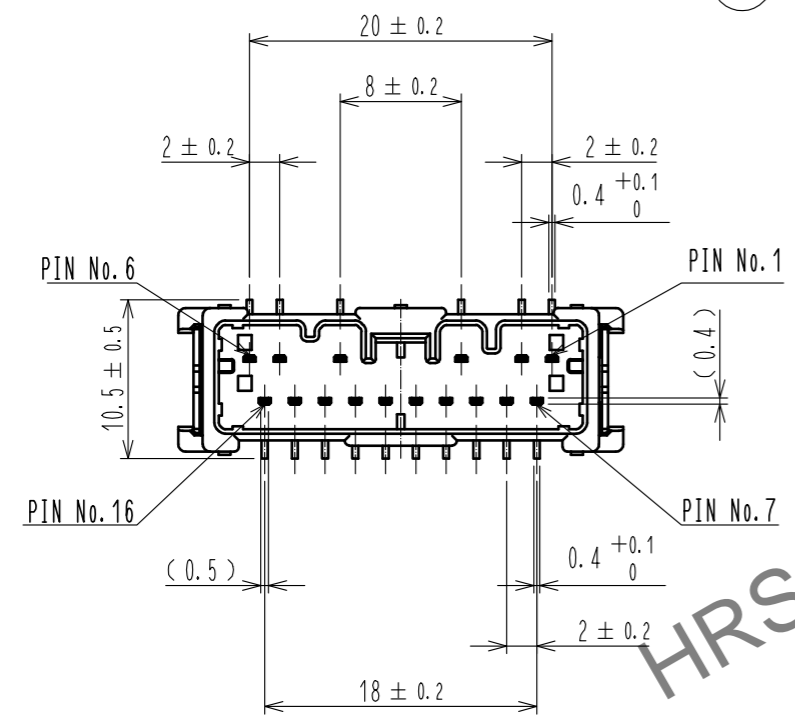
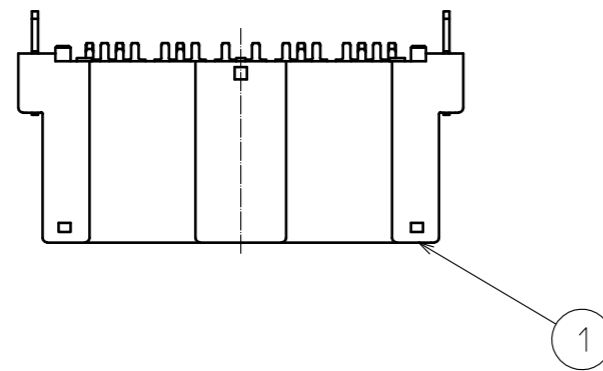
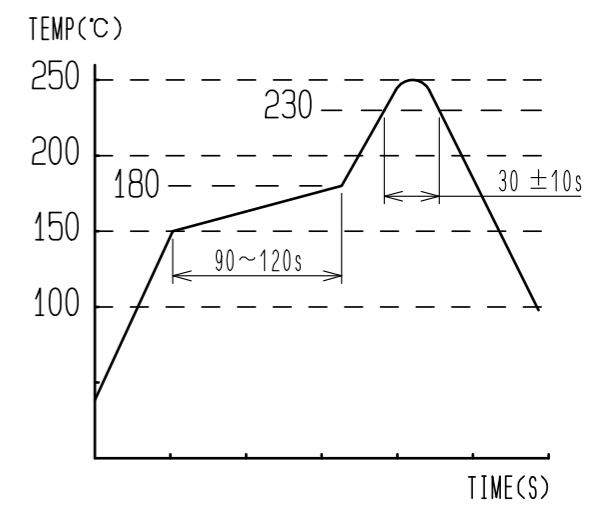


Aug.1.2024 Copyright 2024 HIROSE ELECTRIC CO., LTD. All Rights Reserved.  
In case of consideration for using Automotive equipment / device which demand high reliability, kindly contact our sales window correspondents.

ELV, RoHS COMPLIANT



- NOTE 1. RECOMMENDED TEMPERATURE PROFILE FOR REFLOW (REFER TO RIGHT FIG.)  
USED REFLOW SYSTEM : IR IN THE AIR OR NITROGEN  
NO. OF CYCLES : 2 MAX  
PEAK : 250°C  
OVER 230°C : 20~40s  
PREHEAT : 150~180°C  
90~120s
2. TEMPERATURE FOR SOLDERING IRON : 280~300°C WITHIN 2s
3. CO-PLANARITY SHALL BE 0.1mm MAX.
4. RECOMMENDED PCB THICKNESS IS 1.6mm.
5. RECOMMENDED SOLDER THICKNESS IS 0.15mm.
- 6 : Pattern prohibited area



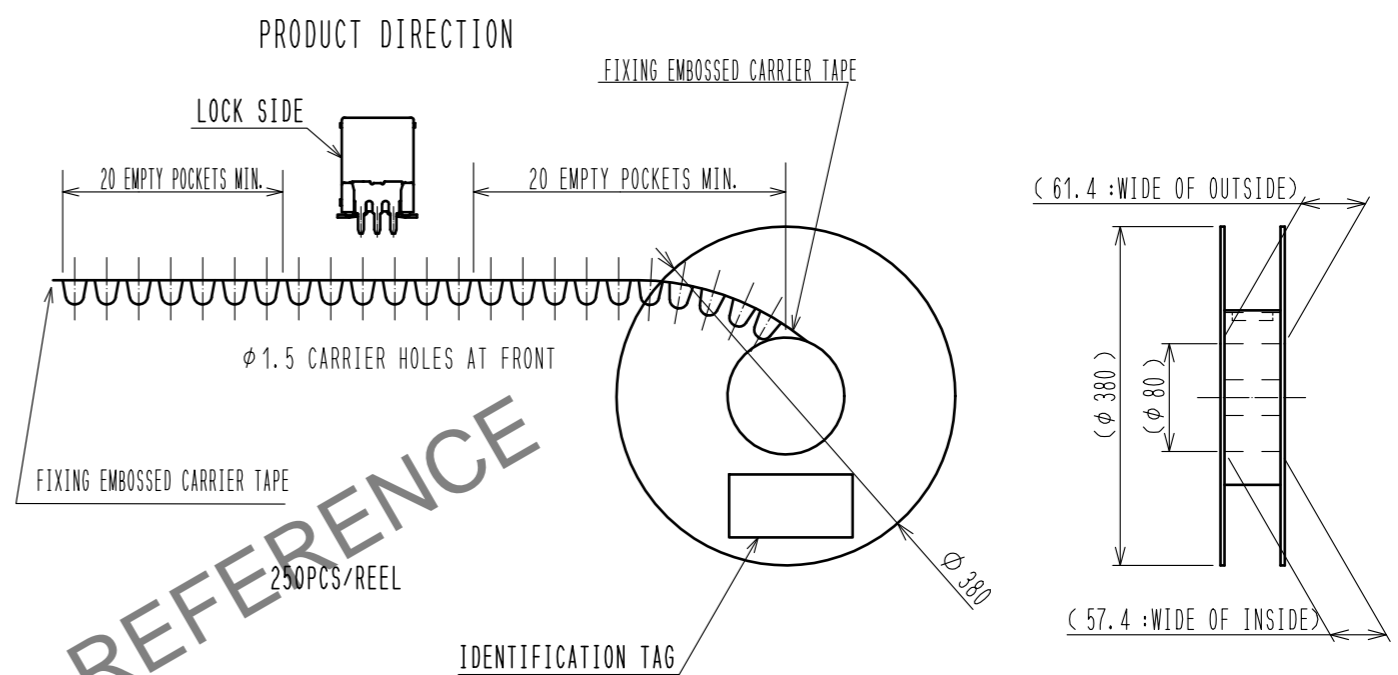
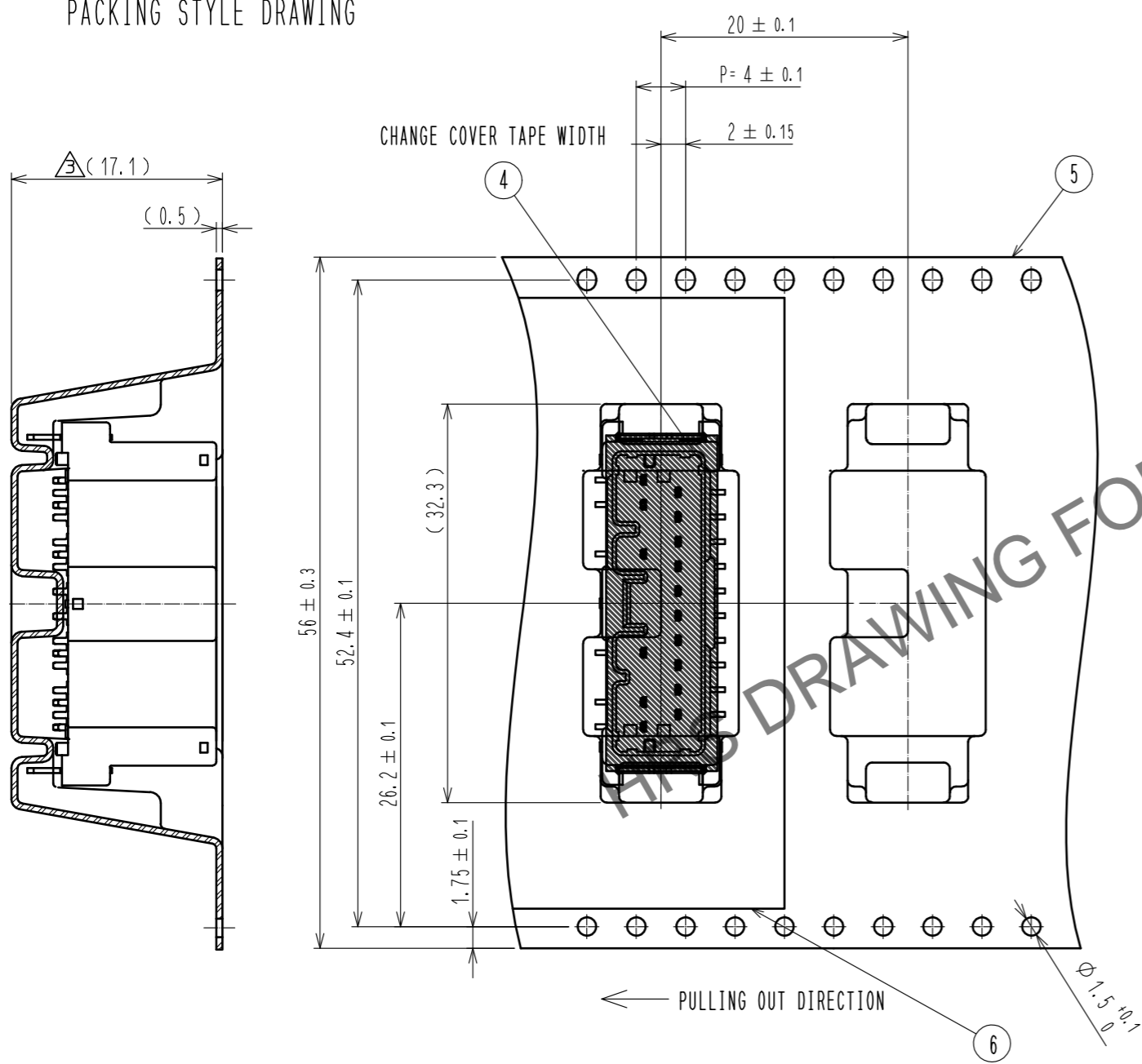
2	BRASS	SURFACE PLATING : TIN PLATING 1μm min UNDER PLATING : NICKEL 1μm min	6	POLYESTER			
1	PA	BLACK	5	POLYSTYRENE			
			4	POLYIMIDE	PICK & PLACE TAPE		
			3	BRASS	SURFACE PLATING : TIN PLATING 1μm min UNDER PLATING : NICKEL 1μm min		
NO.	MATERIAL	FINISH . REMARKS	NO.	MATERIAL	FINISH . REMARKS		
UNITS		SCALE	COUNT	DESCRIPTION OF REVISIONS	DESIGNED	CHECKED	DATE
mm		2 : 1	2	DIS-T-00018585	TY. IKEDA	TY. MOGI	20230711
<b>HRS</b> HIROSE ELECTRIC CO., LTD.		APPROVED : HH. TSUKUMO	20200804	DRAWING NO. EDC-368649-00-00			
		CHECKED : HH. TSUKUMO	20200804	PART NO. ZE05-16DP-2V			
		DESIGNED : YH. MAMADA	20200804	CODE NO. CL0752-2305-0-00			
		DRAWN : YH. MAMADA	20200804				

Aug.1.2024 Copyright 2024 HIROSE ELECTRIC CO., LTD. All Rights Reserved.  
 In case of consideration for using Automotive equipment / device which demand high reliability, kindly contact our sales window correspondents.

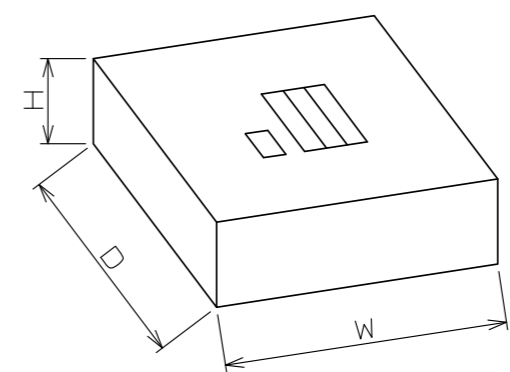
# PACKING STYLE

## REEL DIMENSION(FREE)

### PACKING STYLE DRAWING



### △ CARDBOARD DIMENSION(FREE)



BOX SIZE  
 W=(405) (mm)  
 D=(405) (mm)  
 H=(63) (mm)

<b>HRS</b>	DRAWING NO.	EDC-368649-00-00		2/2
	PART NO.	ZE05-16DP-2V		
	CODE NO.	CL0752-2305-0-00		

# Mouser Electronics

Authorized Distributor

Click to View Pricing, Inventory, Delivery & Lifecycle Information:

[Hirose Electric:](#)

[ZE05-16DP-2V](#)