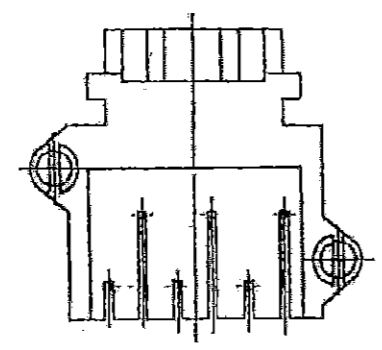
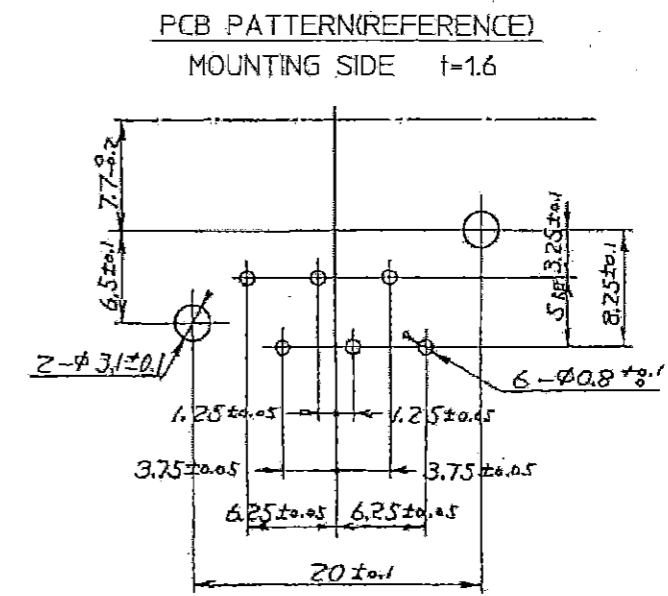
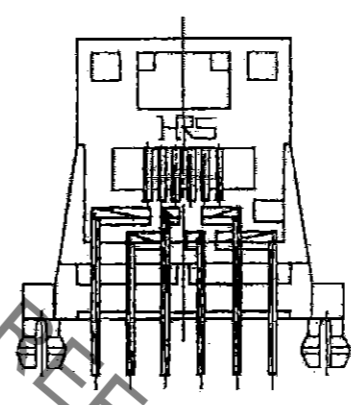
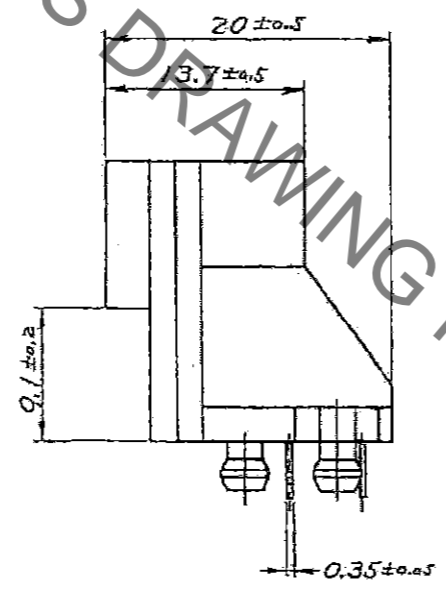
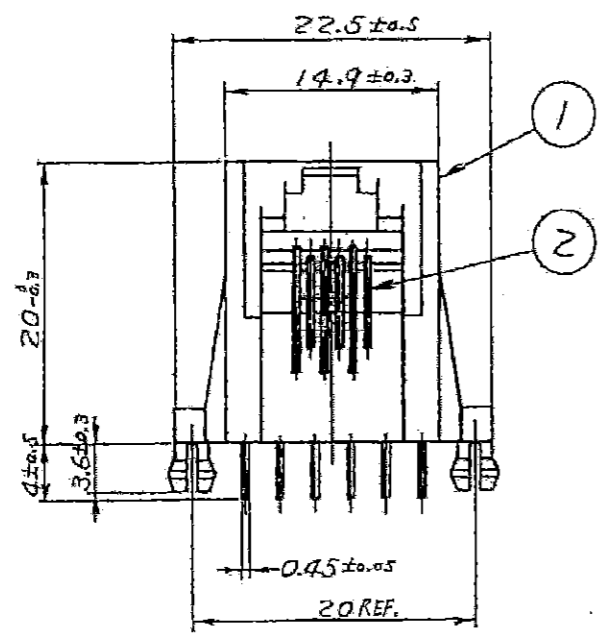
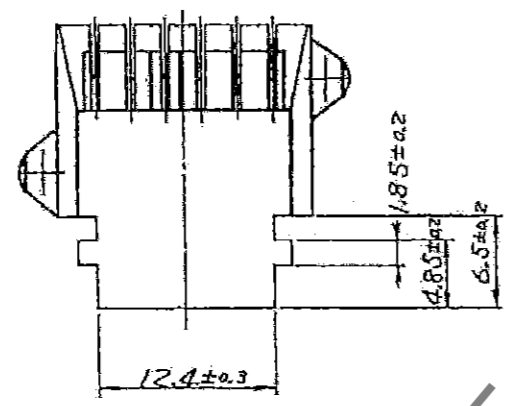


Sep.1.2021 Copyright 2021 HIROSE ELECTRIC CO., LTD. All Rights Reserved.
 In case of consideration for using Automotive equipment / device which demand high reliability, kindly contact our sales window correspondents.

COUNT	DESCRIPTION OF REVISIONS	BY	CHKD	DATE	COUNT	DESCRIPTION OF REVISIONS	BY	CHKD	DATE
1	DIS-E-00000417	T.Ito	NN	16.1.8					



HRS DRAWING FOR REFERENCE

1	PBT	UL94V-0, GRAY	2	PHOSPHOR BRONZE	CONTACT AREA :GOLD PLATING 127µm MIN LEAD AREA :GOLD PLATING 0.03µm MIN UNDER :NICKEL PLATING 0.76µm MIN	
NO.	MATERIAL	FINISH, REMARKS	NO.	MATERIAL	FINISH, REMARKS	
CODE NO.(OLD)		DRAWN	DESIGNED	CHECKED	APPROVED	RELEASED
		T. ITO	T. ITO	N. NISHIMATSU	N. NISHIMATSU	
		15.12.16	15.12.16	15.12.16	15.12.16	
DRAWING NO.		PART NO.				
EDC3-043642-00		TM5RBX-66-2.5DS(50)				
SCALE		CODE NO.				
2 : 1		CL0222-5047-5-50				
UNITS		HRS				
mm		HIROSE ELECTRIC CO., LTD				

Mouser Electronics

Authorized Distributor

Click to View Pricing, Inventory, Delivery & Lifecycle Information:

[Hirose Electric:](#)

[TM5RBX-66-2.5DS\(50\)](#)