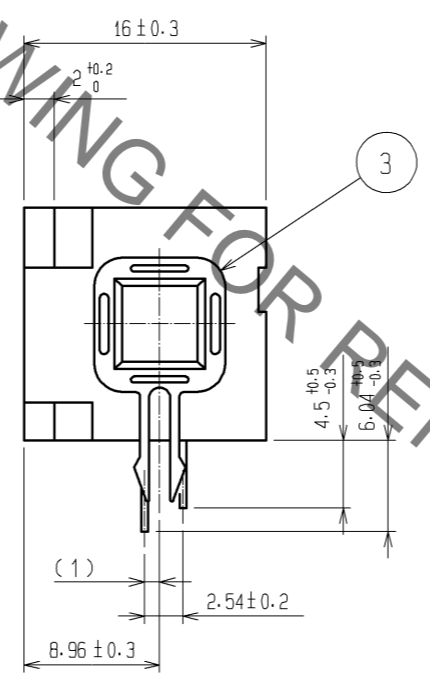
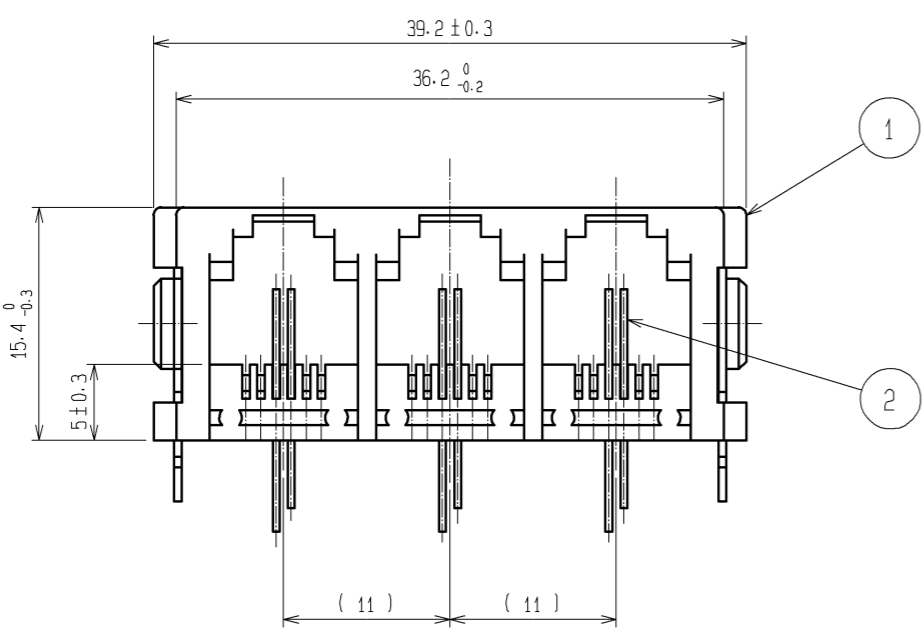
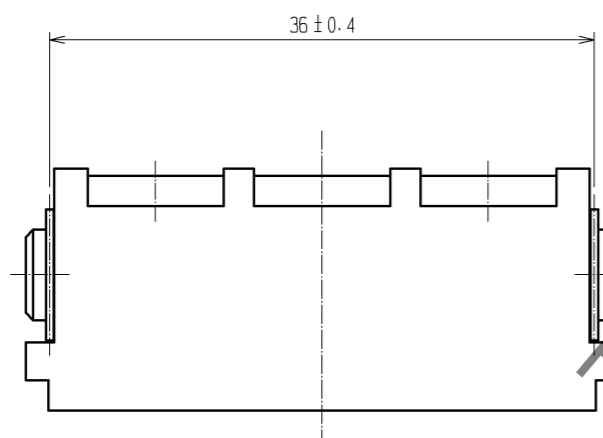


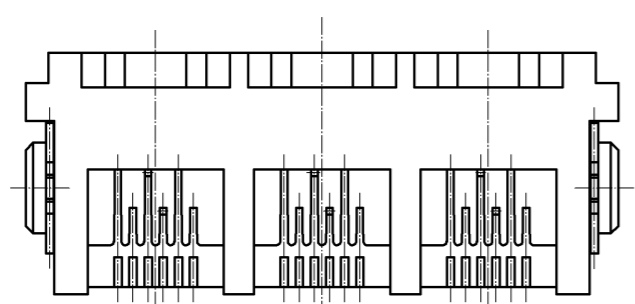
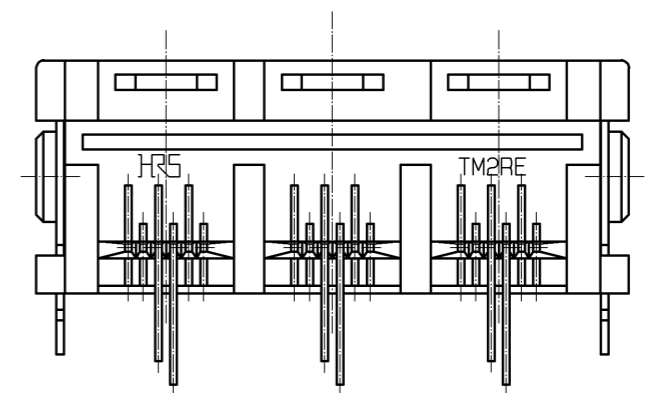
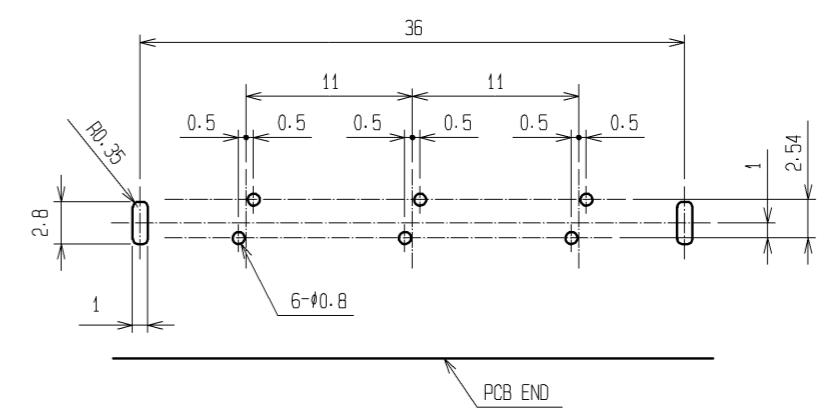
Sep.1.2021 Copyright 2021 HIROSE ELECTRIC CO., LTD. All Rights Reserved.
In case of consideration for using Automotive equipment / device which demand high reliability, kindly contact our sales window correspondents.

1 2 3 4 5 6 7 8

A
B
C
D
E
F



RECOMMENDED PC BOARD HOLE PATTERN.
(MOUNTING SIDE)



1	PBT	GLAY. UL94V-0	3	PHOSPHOR BRONZE	TIN PLATING (REFLOW FINISHED) 1 μm min			
2	PHOSPHOR BRONZE		2	PHOSPHOR BRONZE	CONTACT AREA : GOLD PLATING 1.27 μm min LEAD AREA : GOLD PLATING 0.03 μm min UNDER : NICKEL PLATING 1.27 μm min			
NO.	MATERIAL	FINISH . REMARKS	NO.	MATERIAL	FINISH . REMARKS			
UNITS mm		SCALE 2 : 1		COUNT	DESCRIPTION OF REVISIONS	DESIGNED	CHECKED	DATE
HRS HIROSE ELECTRIC CO., LTD.		APPROVED : RI. TAKAYASU	11.11.10	DRAWING NO. EDC3-043673-01				
		CHECKED : YH. ENAMI	11.11.10	PART NO. TM2REAX-1806(50)				
		DESIGNED : TS. ITO	11.11.08	CODE NO. CL222-5021-1-50				
		DRAWN : TS. ITO	11.11.08					

FORM HC0011-5-7 1 2 3 4 5 6 7 8

Mouser Electronics

Authorized Distributor

Click to View Pricing, Inventory, Delivery & Lifecycle Information:

[Hirose Electric:](#)

[TM2REAX-1806\(50\)](#)