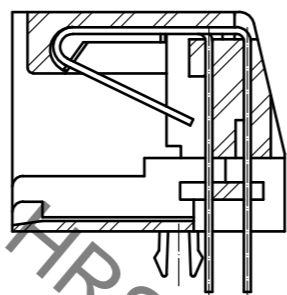


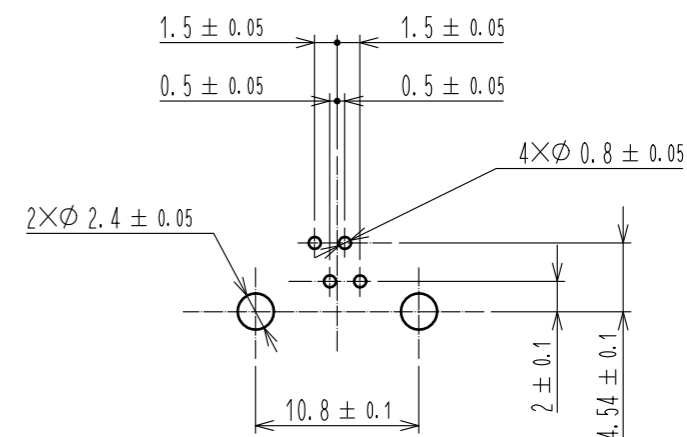
In case of consideration for using Automotive equipment / device which demand high reliability, kindly contact our sales window correspondents.

Sep.1.2021 Copyright 2021 HIROSE ELECTRIC CO., LTD. All Rights Reserved.

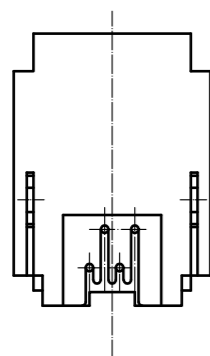
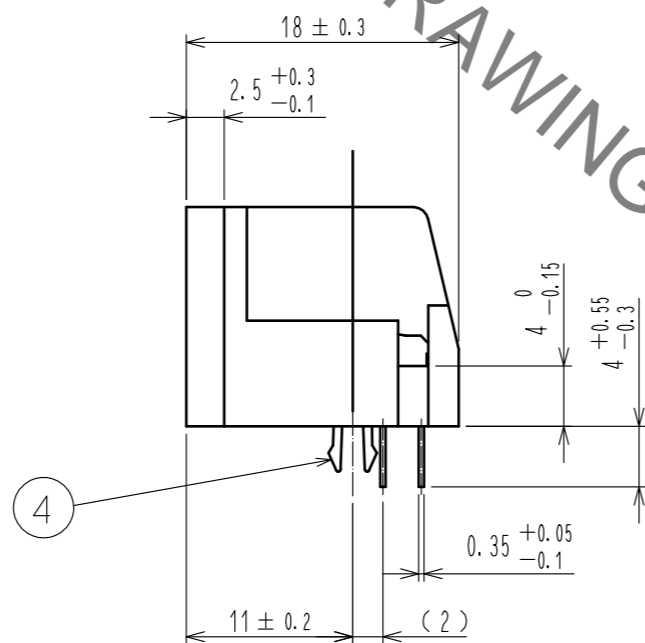
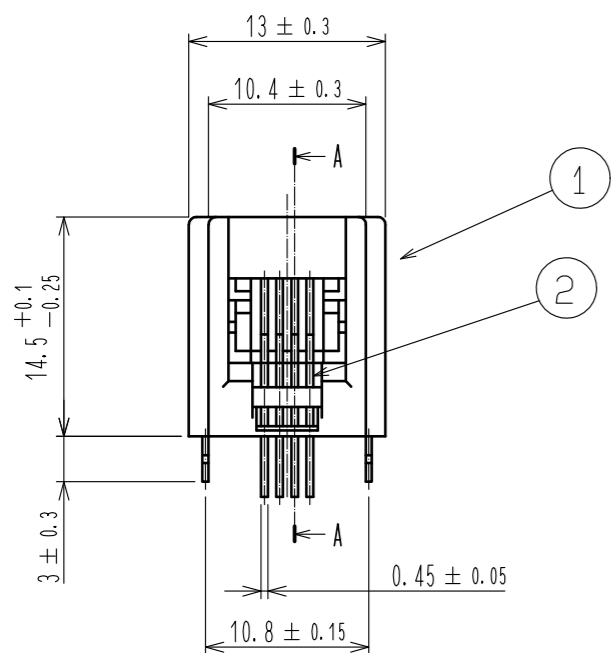
Contact mounting
A-A



PC board pattern



Notes 1 Dimensions are viewed from the connector mounting side on PCB.
2. PC board thickness 1.6mm.



2	Phosphor bronze	Contact area : Gold plating 0.4µm min. Lead : Gold plating 0.03µm min. Under : Nickel plating 1.27µm min.	4	Phosphor bronze	Tin plating 1µm min.			
1	PBT	Dark gray . UL94V-0	3	PBT	Black . UL94V-0			
NO.	MATERIAL	FINISH . REMARKS	NO.	MATERIAL	FINISH . REMARKS			
UNITS mm		SCALE 2 : 1	COUNT	DESCRIPTION OF REVISIONS		DESIGNED	CHECKED	DATE
HIROSE ELECTRIC CO., LTD.		APPROVED : RI. TAKAYASU	18.06.12	DRAWING NO. EDC-041453-20-05				
		CHECKED : RI. TAKAYASU	18.06.12	PART NO. TM5RE2V-44(20)				
		DESIGNED : MO. SHIMOYAMA	18.06.12	CODE NO. CL222-2079-5-20				
		DRAWN : SJ. SATO	18.06.12					

Mouser Electronics

Authorized Distributor

Click to View Pricing, Inventory, Delivery & Lifecycle Information:

[Hirose Electric:](#)

[TM5RE2V-44\(20\)](#)